

Search Results

[Home](#) > [Products Overview](#) > [Search Results](#) >

Evaluate

- [FAQ's](#)
- [Selection Guides](#)
- [PDF-PAN-LUG Alum ..](#)

Design a Solution

- [Part Drawings](#)
- [PDF-AL Mechanical ..](#)

How to Buy

- [Bill of Material](#)
- [Favorite Products List](#)
- [Locate Distributor](#)

Current refinements (click to remove) [Search Tips](#) 

Text Search: 'LAMA2-14-QY'

Your search criteria matched only one product, shown below

LAMA2-14-QY



For Use with Stranded Aluminum or Copper Code Conductors

- Made from high strength, extruded aluminum alloy to provide premium electrical and mechanical performance
- Tin-plated to inhibit corrosion
- Compact design saves space
- Wide wire range-taking capability minimizes inventory requirements
- Inspection window to visually assure full conductor insertion
- Plated steel or aluminum set screw provides high strength, durable electrical contact between conductor and connector
- UL Listed and CSA Certified for use up to 600 V and UL temperature rated 90°C

Note: These code conductor mechanical lugs are manufactured for use with AWG wire only.

▪ Part Number	LAMA2-14-QY
▪ RoHS Compliancy Status	Compliant
▪ Note	LAMA2-14-QY replaces LAMA2-14-Q
▪ Part Description	Aluminum, single barrel, one-hole tongue connector, type LAMA.
▪ Product Type	Mechanical Connectors - Lugs
▪ CSA Certified	Yes
▪ UL Listed	Yes
▪ Height (In.)	.56
▪ Height (mm)	14.2
▪ Length (In.)	1.16
▪ Length (mm)	29.5
▪ Stud Hole Size (In.)	1/4
▪ Tongue Width (In.)	.50
▪ Aluminum or Copper Conductor Size Range	#14 AWG – #2 AWG
▪ CE Compliant	No
▪ CE Marking	No
▪ Conductor Size Range (mm ²)	2.5 – 35
▪ Pricing Description	Aluminum Mechanical Lug, 1 Hole, 1 Barrel, #14 - #2 AWG, 1/4" (6.4mm) Stud
▪ Tightening Torque (In-Lbs)	50*
▪ Tightening Torque (N-m)	5.6*
▪ Tongue Length	.69
▪ Tongue Length (mm)	17.5
▪ Tongue Thickness	.09
▪ Tongue Width (mm)	12.7
▪ Min. Order UOM	PC
▪ Min. Order Qty.	1
▪ BOM Qty. (# of Pkgs.)	<input type="text" value="0"/>
▪ Add to Favorite Product List	<input type="checkbox"/>

Please [register](#) to utilize the 'Bill of Materials', 'Submit Quotes' and 'Favorite Product List' features.



1. Select Connector Type and Stud Hole Size Desired

2. Determine Conductor Size and then Select PANDUIT Part Number

Mechanical Connector Type	Stud Hole Size In.	Aluminum/Copper Code Conductor Size																			
		#14 AWG	#12 AWG	#10 AWG	#8 AWG	#6 AWG	#4 AWG	#2 AWG	#1 AWG	1/0 AWG	2/0 AWG	3/0 AWG	4/0 AWG	250 kcmil	300 kcmil	350 kcmil	500 kcmil	600 kcmil	750 kcmil	800 kcmil	1000 kcmil
		PANDUIT Part Number																			
 One-Barrel, One-Hole LAMA One-Barrel, Two-Hole LAMB 	1/4	LAMA6-14-QY■																			
		LAMA2-14-QY■																			
		LAMA1/0-14-QY■																			
		LAMA2/0-14-QY■																			
	5/16	LAMA250-56-QY																			
		LAMA300-56-QY																			
		LAMA350-38-QY																			
	3/8	LAMA500-38-6Y																			
		LAMA600-38-6Y																			
		LAMA600S-38-6Y‡																			
		LAMA800-58-6Y																			
		LAMA1000-58-6Y																			
1/2	LAMB350-12-6Y◆																				
	LAMB600-12-3Y◆																				
		LAML800-12-3Y◆▲																			
 Two-Barrel, One-Hole LAM2A Two-Barrel, Two-Hole LAM2B 	1/4	LAM2A1/0-14-6Y■																			
		LAM2A2/0-14-6Y■^																			
	3/8	LAM2A250-38-6Y																			
	1/2	LAM2A350-12-6Y																			
		LAM2A600-12-6Y																			
		LAM2A800-58-6Y																			
		LAM2A1000-58-6Y‡^																			
1/2	LAM2B350-12-3Y◆																				
	LAM2B600-12-3Y◆																				
		LAM2LB800-12-3Y◆▲‡																			
 Two-Barrel, Two-Hole LAM2SB 	3/8	LAM2SB600-38-1Y^																			
		LAM2SB750-38-1Y^																			
	1/4	LAM2SSB500-141Y																			
 Three-Barrel, Two-Hole LAM3B 	5/16	LAM3B2-14-6Y■																			
	3/8	LAM3B1/0-38-6Y■																			
		LAM3B3/0-12-3Y◆																			
		LAM3B250-12-1Y◆																			
	1/2	LAM3B350-12-1Y◆																			
		LAM3B600-12-1Y◆																			
		LAM3LB800-12-1Y◆▲																			
		LAM3LB1000-121Y◆▲																			
 Three-Barrel, Two-Hole LAM3SB 	3/8	LAM3SB600-38-1Y																			
		LAM3SB750-38-1Y																			
 Three-Barrel, Four-Hole LAM3D 	1/2	LAM3D3/0-12-3Y◆																			
		LAM3D250-12-1Y◆																			
		LAM3D350-12-1Y◆																			
		LAM3D600-12-1Y◆																			
			LAM3LD800-12-1Y◆▲																		
		LAM3LD1000-121Y◆▲																			
 Four-Barrel, Two-Hole LAM4SB 	3/8	LAM4SB600-38-1Y																			
		LAM4SB750-38-1Y																			
 Four-Barrel, Four-Hole LAM4D 	1/2	LAM4D250-12-1Y◆																			
		LAM4D350-12-1Y◆																			
		LAM4D600-12-1Y◆																			
		LAM4LD800-12-1Y◆▲																			

‡LAMA600S-38-6Y can also be used with (2) 250 kcmil-1/0 AWG conductors.

◆NEMA hole sizes and spacing.

■Uses slotted set screws.

▲Uses double set screws.

^Not CSA Certified.

‡‡Not UL Listed.

Note: Use of PANDUIT oxide inhibiting joint compound CMP-100 is recommended for use with aluminum mechanical connectors.

PAN-LUG™ Split Bolt Connectors

Easy Selection Guide

1. Select Split Bolt Style Desired

2. Determine Conductor Range and then Select PANDUIT Part Number

Copper Split Bolt Connectors – SBC

For Use with Copper Code Conductors



PANDUIT Part Number	Copper Conductor Range**		PANDUIT Part Number	Copper Conductor Range**	
	Min.	Max.		Min.	Max.
SBC8-C	#10 STR	#8 STR	SBC1/0-L	#4 STR	1/0 STR
SBC8L-C*	#16 STR	#8 STR	SBC2/0-Q	#2 STR	2/0 STR
SBC6S-C	#8 STR	#6 SOL	SBC3/0-Q	#1 STR	3/0 STR
SBC6SL-C*	#8 STR	#6 STR	SBC250-Q	#1 STR	250 kcmil
SBC4S-C	#8 STR	#6 STR	SBC350-1	2/0 STR	350 kcmil
SBC4SL-C*	#8 STR	#6 STR	SBC500-1	300 kcmil	500 kcmil
SBC3-C	#8 STR	#4 STR	SBC750-1	#8 SOL	750 kcmil
SBC2-C	#6 STR	#2 STR	SBC1000-1	#8 SOL	1000 kcmil
SBC2L-C*	#14 STR	#2 STR			

*Long body accommodates two tap conductors with single run; not CSA Certified.

**The conductor sizes shown are for equal run and tap combinations.

Tin Plated Copper Split Bolt Connectors – SBCT

For Use with Combinations of Copper and Aluminum Conductors



PANDUIT Part Number	Copper and Aluminum Conductor Range		
	Range of Equal Run and Tap		Min. Tap with One Max. Run
	Min.	Max.	
SBCT8-C	#8 STR	#6 SOL	#14 STR
SBCT6-C	#6 STR	#6 STR	#10 STR
SBCT3-C	#8 STR	#4 STR	#10 STR
SBCT2-C	#6 STR	#2 STR	#14 STR
SBCT1/0-L	#4 STR	1/0 STR	#10 STR
SBCT2/0-Q	#2 STR	2/0 STR	#8 STR
Copper Conductor Range			
SBCT10-C	#16 STR	#10 STR	#16 STR
SBCT3/0-Q	#1 STR	3/0 STR	#8 STR
SBCT250-Q	#1 STR	250 kcmil	#8 STR
SBCT350-1	2/0 STR	350 kcmil	1/0 STR
SBCT500-1	300 kcmil	500 kcmil	2/0 STR
SBCT750-1	2/0 STR	750 kcmil	2/0 STR
SBCT1000-1	4/0 STR	1000 kcmil	4/0 STR

Dual Rated Aluminum Split Bolt Connectors – SBA

For Use with Aluminum and Copper Conductor Combinations



PANDUIT Part Number	Aluminum to Aluminum, Aluminum to Copper, Copper to Copper Conductors					
	Max. Run to Max. Tap		Min. Run to Min. Tap		Max. Run to Min. Tap	
SBA6-C	#6 STR	#6 STR	#10 SOL	#10 SOL	#6 STR	#10 SOL
SBA4-C	#4 STR	#4 STR	#8 SOL	#10 SOL	#4 STR	#2 SOL
SBA2-C	#2 STR	#2 STR	#6 SOL	#8 STR	#2 STR	#8 STR
SBA1/0-Q	1/0 STR	1/0 STR	#2 STR (Compact)	#8 SOL	1/0 STR	#8 SOL
SBA2/0-Q	2/0 STR	2/0 STR	#2 STR (Compact)	#8 STR	2/0 STR	#8 STR
SBA4/0-Q	4/0 STR	4/0 STR	#2 STR (Compact)	#6 STR	4/0 STR	#6 STR
SBA350-1^	350 kcmil	350 kcmil	1/0 STR (Compact)	#4 STR	350 kcmil	#4 STR
SBA500-1^	500 kcmil	500 kcmil	400 kcmil (Compact)	#2 STR (Compact)	500 kcmil	#2 STR (Compact)

^Not CSA Certified.

For more information

Visit us at www.panduit.com

Contact Customer Service by email: cs@panduit.com
or by phone: 800-777-3300 and reference PCSG14

For a copy of PANDUIT product warranties, log on to www.panduit.com/warranty

©2008 PANDUIT Corp.
ALL RIGHTS RESERVED.
WW-PCSG14
Replaces SA-PCSG07
6/2008



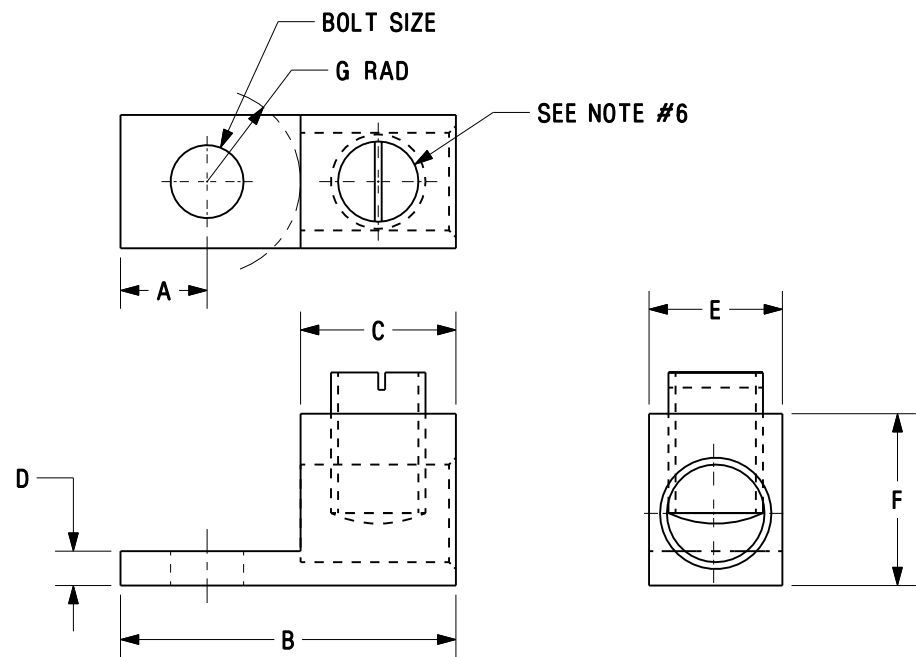


FIGURE #1

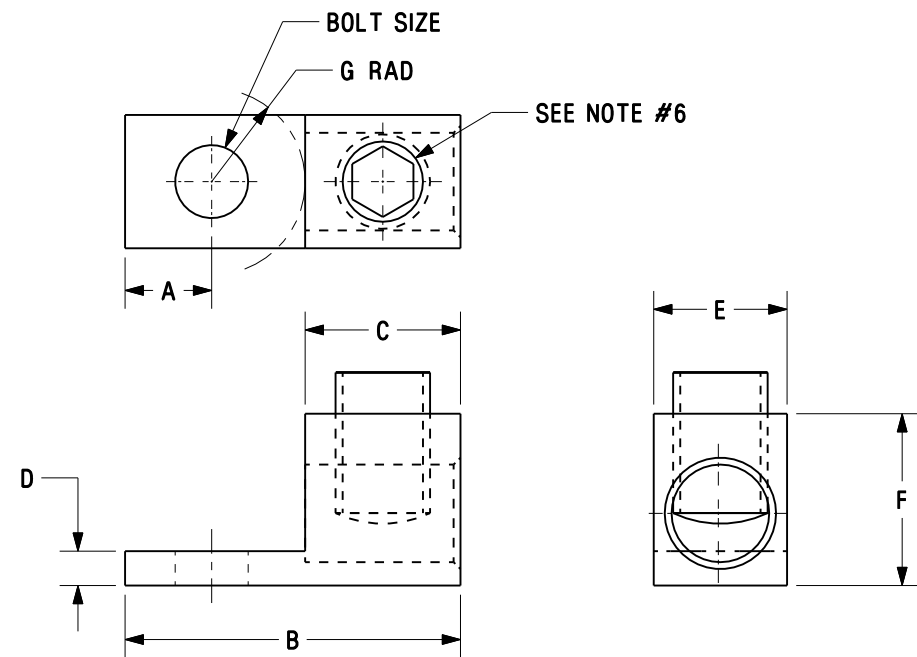


FIGURE #2

NOTES:

1. U.L. LISTED PER 486B UP TO 600V. TEMPERATURE RATED 90° C
2. C.S.A. CERTIFIED UP TO 600V.
3. ALUMINUM PARTS AND SCREWS ARE TIN PLATED. STEEL SCREWS ARE ZINC PLATED
4. TO BE USED WITH COPPER OR ALUMINUM STRANDED WIRE.
5. MADE IN U.S.A.
6. *S - DESIGNATES SLOTTED SCREW.
7. PKG. QTY.: -Q=25
8. THIS PART IS RoHS COMPLIANT.

ALUMINUM MECHANICAL CONNECTORS TYPE: LAMA

*PART WEIGHT INCLUDES SCREW AND BODY

CAT. NO.	FIGURE	WIRE RANGE COPPER/ALUMINUM	WIRE STRIP LENGTH IN. (mm)	BOLT SIZE IN.	DIM A IN.	DIM B IN.	DIM C IN.	DIM D IN.	DIM E IN.	DIM F IN.	DIM G IN.	INSTALLATION TORQUE in-lbs (N-m)	HEX KEY	SCREW MAT'L	PART WEIGHT lb [kg]
LAMA6-14-QY	1	6-14AWG	.38 (9.7)	1/4	.25	1.06	.38	.09	.38	.50	.43	45 (5.1)	*S	STEEL	.016 lb (.007 kg)
LAMA2-14-QY	1	2-14AWG	.47 (11.9)	1/4	.32	1.16	.47	.09	.50	.56	.37	12-14AWG-15 (1.7) 6-10AWG-40 (4.5) 2-4AWG-50 (5.6)	*S	STEEL OR AL	.020 lb (.009 kg)
LAMA1/0-14-QY	1	1/0-14AWG	.63 (16.0)	1/4	.44	1.47	.63	.19	.62	.81	.40	10-14AWG-35 (3.9) 8AWG-40 (4.5) 4-6AWG-45 (5.1) 1/0-3AWG-50 (5.6)	*S	AL	.036 lb (.016 kg)
LAMA2/0-14-QY	1	2/0-14AWG	.63 (16.0)	1/4	.44	1.47	.63	.19	.62	.81	.40	10-14AWG-35 (3.9) 8AWG-40 (4.5) 4-6AWG-45 (5.1) 2/0-3AWG-50 (5.6)	*S	AL	.036 lb (.016 kg)
LAMA250-56-QY	2	250MCM-6AWG	1.00 (25.4)	5/16	.44	2.00	1.00	.22	.90	1.06	.56	2-6AWG-275 (31.1) 250MCM-1AWG-375 (42.4)	3/8	AL	.092 lb (.042 kg)

CAD FILENAME/LAYERS		C41566_06	
PANDUIT		CORP TINLEY PARK, ILLINOIS	
LAMA SERIES 6AWG THRU 250kcmil ALUMINUM MECHANICAL LUGS			
UNLESS OTHERWISE SPECIFIED, DIMENSIONAL TOLERANCES ARE: (.X) ± .005 (.XX) ± .005		UNLESS OTHERWISE SPECIFIED, ALL DIMENSIONS ARE GIVEN IN INCHES, THIRD ANGLE PROJECTION	
DRAWN BY JHNU	MAT'L: SEE NOTES	SCALE NONE	
DATE 2/06	CHK'D	DRAWING NO. C41566	DWG SIZE B

REV	DATE	BY	CHK	DESCRIPTION	ECN #	CUST	GMBH
06	1/07	JHNU	JHNU	ADDED PART WEIGHT COLUMN TO TABLE	PC00639		
--	-----	---	---	ADDED VIEWS OF PART WITH SLOTTED SCREWS ADDED NOTE TO REFERENCE NOTE 6. ADDED FIGURE COLUMN TO TABLE.	-----		
05	1/07	JHNU	JHNU		PC00629		
04	11/06	JHNU	JHNU	REVISED NOTES 1 AND 2: ADDED 600V AND TEMPERATURE RATED 90° C.	PC00611		
03	7/06	JHNU	LEM	REVISED PART NUMBER: LAMA2/0-14-QY WAS LAMA2/0-14-Q	PC00487		
02	6/06	JHNU	LEM	REVISED PART NUMBERS: LAMA6-14-QY WAS LAM6-14-Q LAMA2-14-QY WAS LAMA2-14-Q	PC00485		
01	3/06	JHNU	LEM	REVISED ROHS NOTE	PC00334		
00	2/06	JHNU	LEM	DRAWING RELEASED - ROHS COMPLIANT	PC00299		