

Current refinements (click to remove)

[Search Tips](#) 
 [Region](#) [USA](#) [Product Family](#) [Wire Joint, Nylon Insulated](#) [Text Search: 'JN418-212-C'](#)
Your search criteria matched only one product, shown below.


- Large barrel, designed to accommodate from one to seven wires with just one crimp
- Accommodates multiple wire sizes in varying combinations
- Barrel of terminal internally beveled to provide quick and easy wire insertion
- UL and CSA rated up to 600 V per UL 486
- UL Flammability UL 94V-2/HB, maximum insulation temperature 221°F (105°C)

‡UL and CSA approved tooling/product combinations.

Part Number:	JN418-212-C
RoHS Compliancy Status:	Compliant
Part Description:	Wire Joint, nylon insulated.
Product Type:	Wire Joints
CSA Certified:	Yes
UL Listed:	Yes
Length (In.):	.93
Barrel Length (mm):	—
CMA Range Max.:	14750
CMA Range Min.:	6480
Min/Max Wire Range:	(4) #18 – (2) #12
Panduit Color Code:	Clear
Tool:	CT-100A‡, CT-1550‡, CT-1551‡, CT-2500‡
Wire Range (In.):	4 #18 – 2 #12
Wire Range (mm ²):	0.75 - 6.0
Wire Strip Length (In.):	1/2
Min. Order UOM:	PC
Min. Order Qty.:	100
BOM Qty. (# of Pkgs.)	

[Add to My Catalog](#)

 Please [register](#) to utilize the 'Bill of Materials', 'Submit Quotes' and 'My Catalog' features.

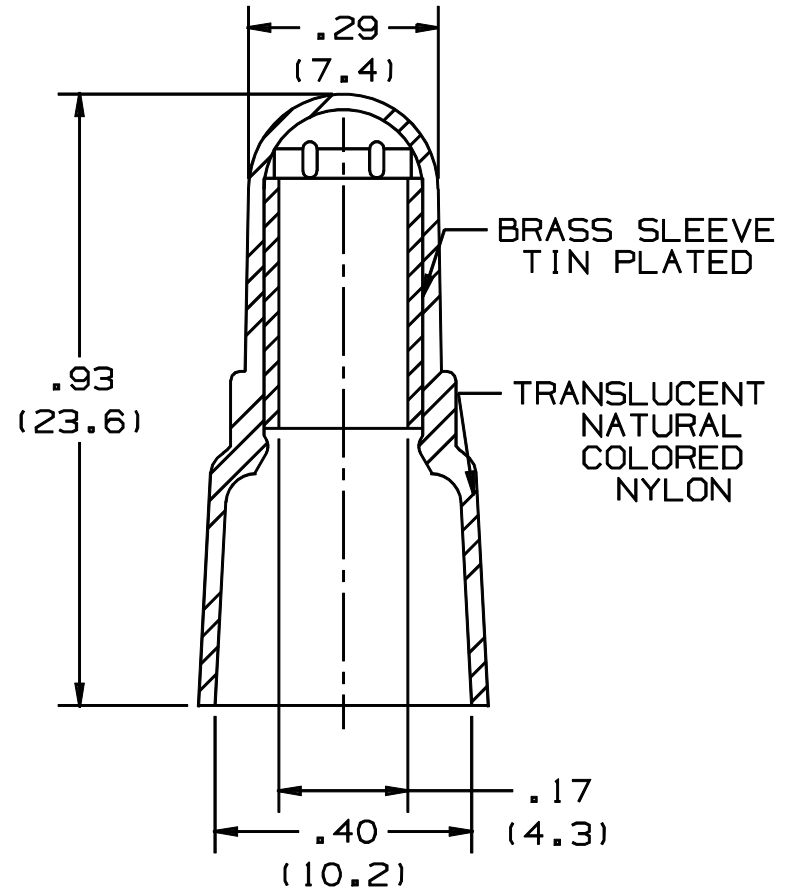
THIS COPY IS PROVIDED ON A RESTRICTED BASIS AND IS NOT TO BE USED IN ANY WAY DETRIMENTAL TO THE INTERESTS OF PANDUIT CORP.

WIRE COMBINATION CHART

WIRE SIZE	NO. OF WIRES	NUMBER OF ADDITIONAL WIRES OF ONE SIZE			
		#18	#16	#14	#12
#18	1	3-6	2-5	2-3	1
	2	2-5	2-4	1-2	1
	3	1-4	1-3	1-2	1
	4	1-3	1-3	1-2	1
	5	1-2	1-2	1	0
	6	1	1	1	0
#16	1	3-6	2-4	1-2	1
	2	1-5	1-3	1-2	1
	3	1-4	1-2	1	1
	4	1-2	1	1	0
	5	1	0	0	0
#14	1	2-6	1-4	1-2	1
	2	1-4	1-2	1	1
	3	1	0	0	0
#12	1	1-4	1-3	1-2	1

NOTES :

- UL LISTED AND CSA CERTIFIED FOR:
 - 600V. MAX. BLDG. WIRE, 1000V. MAX. IN SIGNS, FIXTURES AND LUMINARIES
 - 221°F (105°C) MAX. TEMP. RATING
 - WIRE COMBINATIONS OF #18AWG-#12 SOLID OR STRANDED COPPER WIRE
- PACKAGE QUANTITY:
 - STD. PKG. -C = 100
 - BULK PKG. -M = 1000
- DIMENSIONS IN BRACKETS ARE IN MILLIMETERS
- INSTALLATION TOOLS:
 - UL LISTED AND CSA CERTIFIED: CT-100, CT-250, CT-550, CT-1550, & CT-1551
- WIRE STRIP LENGTH: 1/2 *1/32 .0 (12.7 *.8 .0)



LISTED
587H
E52164



CERTIFIED
LR3122

A41343_03

03	1/01	RM		FILESPEC WAS N41343AA_PCD_02				<p>TINLEY PARK, ILLINOIS</p> <p>NYLON INSULATED WIRE JOINT JN418-212</p>
02	11/95	ED		REVISED NOTES, TABLE, & DIMEN.S	03808			
01	11-88	DW	LM	REDRAWN TO REVISIONS				
REV	DATE	BY	CHK	DESCRIPTION	ECN #	CUST	PM	DRAWN BY: DAW Ck'D: [blank] SCALE: NONE DRAWING NO.: A41343A