

Current refinements (click to remove)

[Search Tips](#) 
 Region USA Product Family Wire Joint, Nylon Insulated Text Search: 'JN314-412-C'

Your search criteria matched only one product, shown below.


- Large barrel, designed to accommodate from one to seven wires with just one crimp
- Accommodates multiple wire sizes in varying combinations
- Barrel of terminal internally beveled to provide quick and easy wire insertion
- UL and CSA rated up to 600 V per UL 486
- UL Flammability UL 94V-2/HB, maximum insulation temperature 221°F (105°C)

‡UL and CSA approved tooling/product combinations.

Part Number:	JN314-412-C
RoHS Compliancy Status:	Compliant
Part Description:	Wire Joint, nylon insulated.
Product Type:	Wire Joints
CSA Certified:	No
UL Listed:	No
Length (In.):	.97
Barrel Length (mm):	—
CMA Range Max.:	26120
CMA Range Min.:	10320
Min/Max Wire Range:	(3) #14 – (4) #12
Panduit Color Code:	Clear
Tool:	CT-100A, CT-160, CT-260
Wire Range (In.):	3 #14 – 4 #12
Wire Range (mm ²):	2.5 - 4.0
Wire Strip Length (In.):	5/8
Min. Order UOM:	PC
Min. Order Qty.:	100
BOM Qty. (# of Pkgs.)	

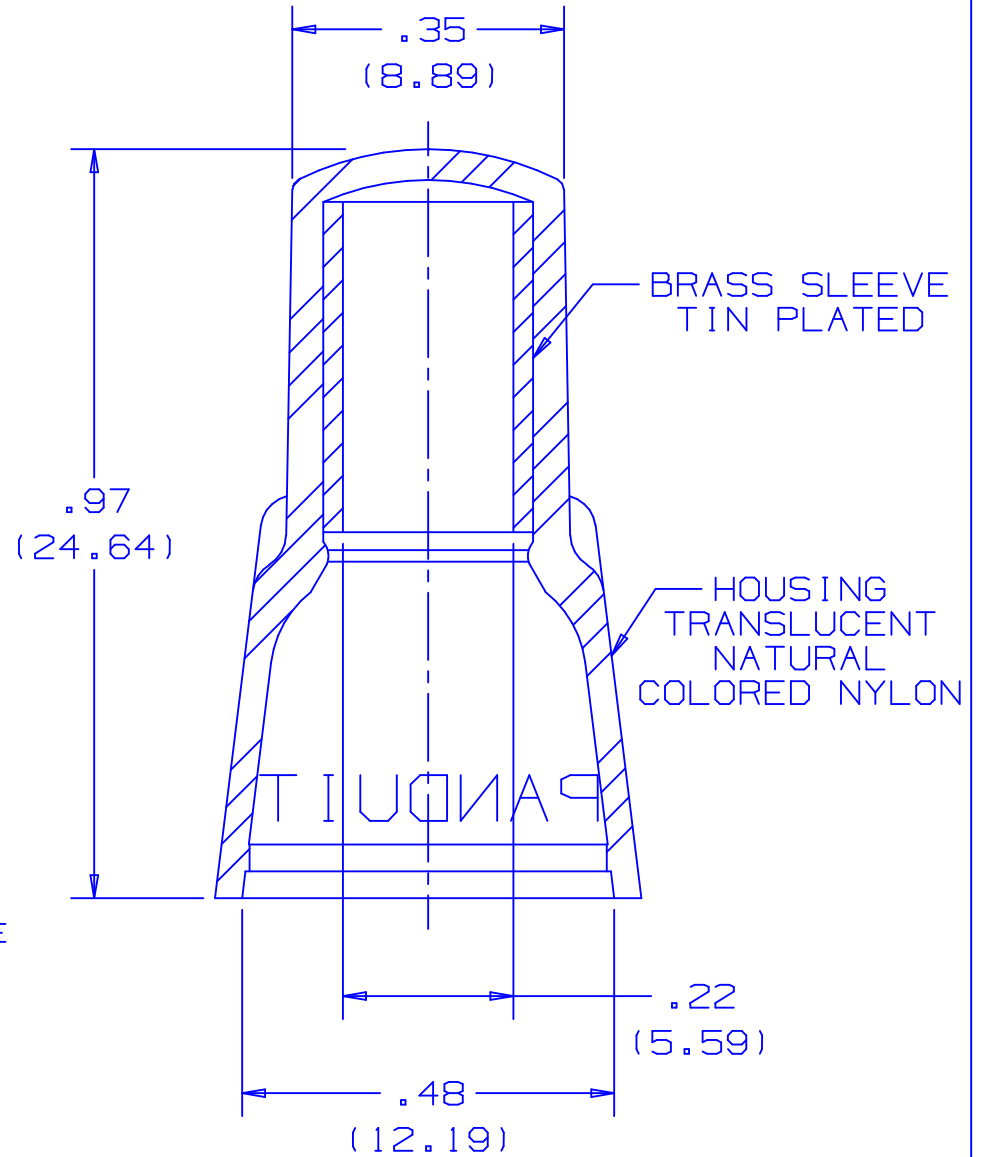
[Add to My Catalog](#)

 Please [register](#) to utilize the 'Bill of Materials', 'Submit Quotes' and 'My Catalog' features.

THIS COPY IS PROVIDED ON A RESTRICTED BASIS AND IS NOT TO BE USED IN ANY WAY DETRIMENTAL TO THE INTERESTS OF PANDUIT CORP.

WIRE COMBINATION CHART

WIRE SIZE	NO. OF WIRES	NUMBER OF ADDITIONAL WIRES OF ONE SIZE			
		#16	#14	#12	#10
#16	1	3-6	2-4	2-3	1 OR 2
	2	2-5	1-3	1 OR 2	1 OR 2
	3	1-4	1 OR 2	1 OR 2	1
	4	1-3	1	1	1
	5	1 OR 2	1	1	1
	6	1	0	0	0
#14	1	2-5	2-5	2-3	1 OR 2
	2	1-3	1-4	1 OR 2	1
	3	1 OR 2	1-3	1 OR 2	0
	4	1 OR 2	1 OR 2	1	0
	5	1	1	0	0
#12	1	2-5	2-4	1-3	1
	2	1-3	1-3	1 OR 2	1
	3	1	1	1	0
#10	1	1-5	1 OR 2	1 OR 2	1
	2	1 OR 2	1	0	0



NOTES :

- PERFORMANCE RATED FOR :
 - A. 600 V MAX. VOLTAGE RATING
 - B. 221°F (105°C) MAX. TEMP. RATING
 - C. #16 AWG-#10 AWG, SOLID OR STRANDED COPPER WIRE
- MATERIAL:
 - A. SLEEVE - BRASS, TIN PLATED
 - B. HOUSING - NATURAL NYLON
- DIMENSIONS IN BRACKETS ARE IN MILLIMETERS
- INSTALLATION TOOLS: CT-100, CT-160, CT-260
- WIRE STRIP LENGTH: $5/8^{+1/32}_0$ (15.9 $^{+.8}_0$)

A41003_04

04	3/05	JHNU		REMOVED INSTALLATION TOOL CT-250 FROM NOTE 4.				 TINLEY PARK, ILLINOIS NYLON INSULATED WIRE JOINT JN314-412
03	11/97	TM	RLS	UPDATED INSTALLATION TOOLS	06401	LA	DH	
02	11/94	TH	RS	UPDATED NOTES AND DIMENSIONS	02659	LA	DH	
1	3/88	GM	LM	REDRAWN ON CAD		LA	JRB	
REV	DATE	BY	CHK	DESCRIPTION	ECN #	CUST	PM	DRAWN BY GRM CHK'D SCALE NONE DRAWING NO. A41003