

Current refinements (click to remove)

[Search Tips](#) 
 [Region](#) [USA](#) [Product Family](#) [Wire Joint, Nylon Insulated](#) [Text Search: 'JN224-318-C'](#)
Your search criteria matched only one product, shown below.


- Large barrel, designed to accommodate from one to seven wires with just one crimp
- Accommodates multiple wire sizes in varying combinations
- Barrel of terminal internally beveled to provide quick and easy wire insertion
- UL and CSA rated up to 600 V per UL 486
- UL Flammability UL 94V-2/HB, maximum insulation temperature 221°F (105°C)

‡UL and CSA approved tooling/product combinations.

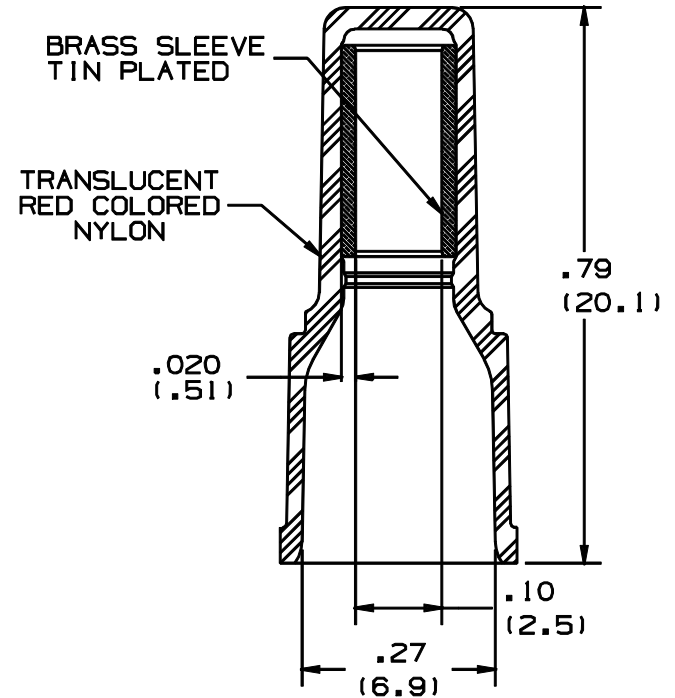
Part Number:	JN224-318-C
RoHS Compliancy Status:	Compliant
Part Description:	Wire Joint, nylon insulated.
Product Type:	Wire Joints
CSA Certified:	Yes
UL Listed:	Yes
Length (In.):	.79
Barrel Length (mm):	—
CMA Range Max.:	5160
CMA Range Min.:	808
Min/Max Wire Range:	(2) #24 – (2) #16
Panduit Color Code:	Red
Tool:	CT-1550‡, CT-1551‡, CT-2500‡
Wire Range (In.):	2 #24 – 2 #16
Wire Range (mm ²):	0.5 - 1.0
Wire Strip Length (In.):	7/16
Min. Order UOM:	PC
Min. Order Qty.:	100
BOM Qty. (# of Pkgs.)	

[Add to My Catalog](#)

 Please [register](#) to utilize the 'Bill of Materials', 'Submit Quotes' and 'My Catalog' features.

THIS COPY IS PROVIDED ON A RESTRICTED BASIS AND IS NOT TO BE USED IN ANY WAY DETRIMENTAL TO THE INTERESTS OF PANDUIT CORP.

WIRE SIZE	NUMBER OF WIRES	NUMBER OF ADDITIONAL WIRES OF ONE SIZE					
		#24	#22	#20	#18	#16	#14
#24	1	1-10	1-6	1-4	1 OR 2	1	1
	2	1-9	1-5	1-3	1 OR 2	1	1
	3	1-8	1-4	1 OR 2	1 OR 2	1	0
	4	1-7	1-4	1 OR 2	1	1	0
	5	1-6	1-3	1	1	0	0
	6	1-5	1-3	1	0	0	0
	7	1-4	1 OR 2	0	0	0	0
#22	1	1-10	1-5	1-4	1 OR 2	1	1
	2	1-8	1-4	1-3	1 OR 2	1	0
	3	1-6	1-3	1 OR 2	1	1	0
	4	1-4	1 OR 2	1	1	0	0
	5	1 OR 2	1	1	0	0	0
#20	1	1-6	1-4	1-4	1 OR 2	1	1
	2	1-4	1-3	1-3	1 OR 2	1	0
	3	1 OR 2	1 OR 2	1 OR 2	1	0	0
	4	1	1	1	0	0	0
#18	1	1-5	1-4	1-3	1 OR 2	1	0
	2	1-3	1 OR 2	1 OR 2	1	0	0
#16	1	1-4	1-3	1 OR 2	1	1	0
#14	1	1 OR 2	1	1	0	0	0



- USED FOR:
 - 600V MAX BUILDING WIRE, 1000V. MAX IN SIGNS, FIXTURES, AND LUMINAIRES
 - 221°F (105°C) MAX TEMP RATING
 - FOR SOLID OR STRANDED COPPER WIRE
 - SEE CHART FOR WIRE COMBINATIONS
 - WIRE COMBINATIONS USING #24 AWG WIRE ARE NOT UL LISTED OR CSA CERTIFIED
- PACKAGE QTY:
 - STD : -C = 100
 - BULK: -M = 1000
- DIMENSIONS IN BRACKETS ARE IN MILLIMETERS OR mm²
- INSTALLATION TOOLS:
 - UL LISTED AND CSA CERTIFIED: CT-500, CT-1550, CT1551
 - PANDUIT APPROVED: CT-100, CT-160, CT-250, CT-260, CT-400, CT-550,



LISTED
587H
E52164



CERTIFIED
LR31212

A41341_03

PANDUIT CORP.

TINLEY PARK, ILLINOIS

NYLON INSULATED WIRE JOINT
JN224-318

03	2/00	JAMB	(A) TOOL CT-1550 & CT-1551 MOVED FROM PANDUIT APPROVED TO UL & CSA CERTIFIED INSTALLATION TOOLS.					
02	6/97	TM/RLS	UPDATED DRAWING	05981	DBH	TRS		
REV	DATE	BY	CHK	DESCRIPTION	ECN#	PM	APP	DRAWN BY TSM CHK'D TRS SCALE NONE DRAWING NO A41341