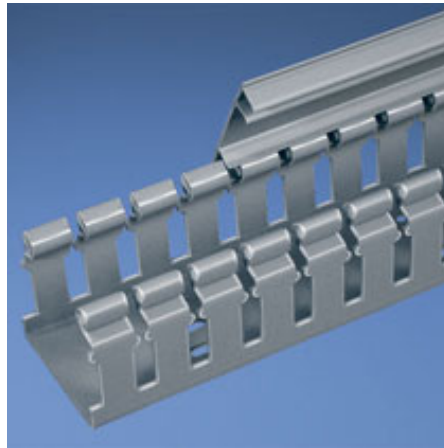




H3X4LG6

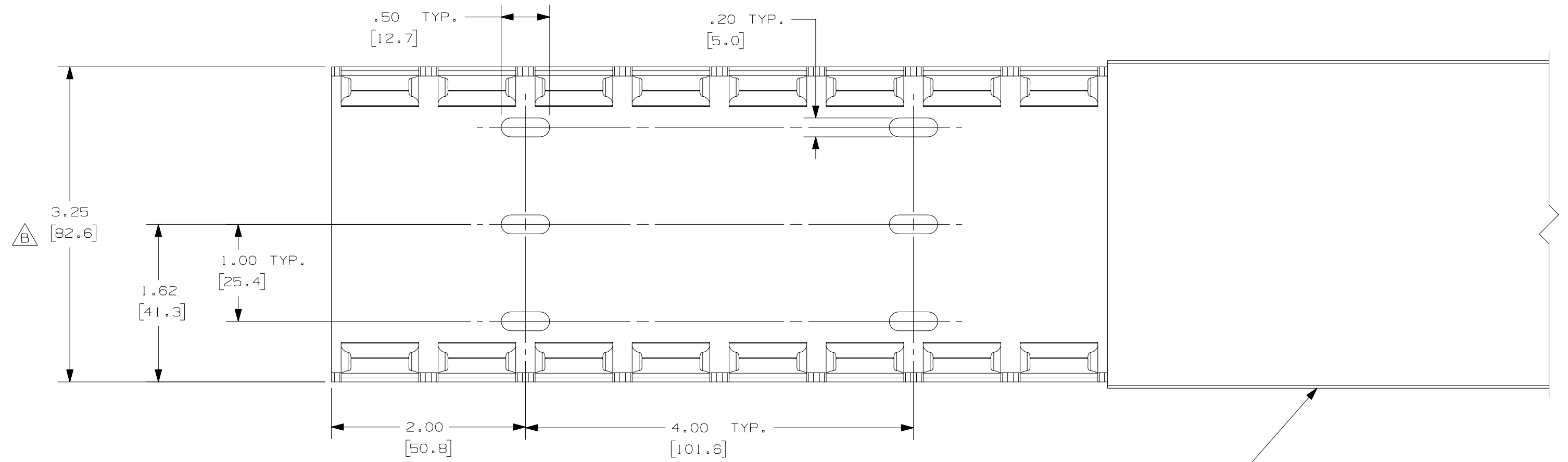


- Type H Wiring Duct is ideal for applications that require easy access in control panels and communication closets for frequent equipment modifications or repairs where moves, adds and changes are common. Due to the hinging feature, Hinged Cover Slotted Wall Wiring Duct reduces the time and hassle associated with removing and reinstalling traditional duct cover to perform maintenance or changes.
- **Specifications**
 - Wide slot/finger design provides excellent wire management in general purpose applications and is compatible a wide range of wire sizes and component types
 - Made of lead-free PVC
 - Rated for continuous use temperature: 122°F (50°C)
 - UL94 Flammability Rating V-0
 - Conforms with NFPA 79-2007 section 13.3.1 requirement for flame retardant material
 - Provided with standard mounting holes
 - Base and cover length is 6 ft.
- **Features and Benefits**
 - Integrated hinged cover design allows easy access to wiring without hassle of removing and reinstalling cover
 - Dual-sided hinge can open up to 100° from either sidewall of duct base for easy access to channel
 - Cover retention flanges allows the cover to open and close easily
 - Double scoreline allows fingers and complete sidewall removal
 - Cover removal rib makes cover easy to open from either side
 - Restricted slot design retains wire in slot for fast, easy wire installation or removal
- Base and cover sold separately.

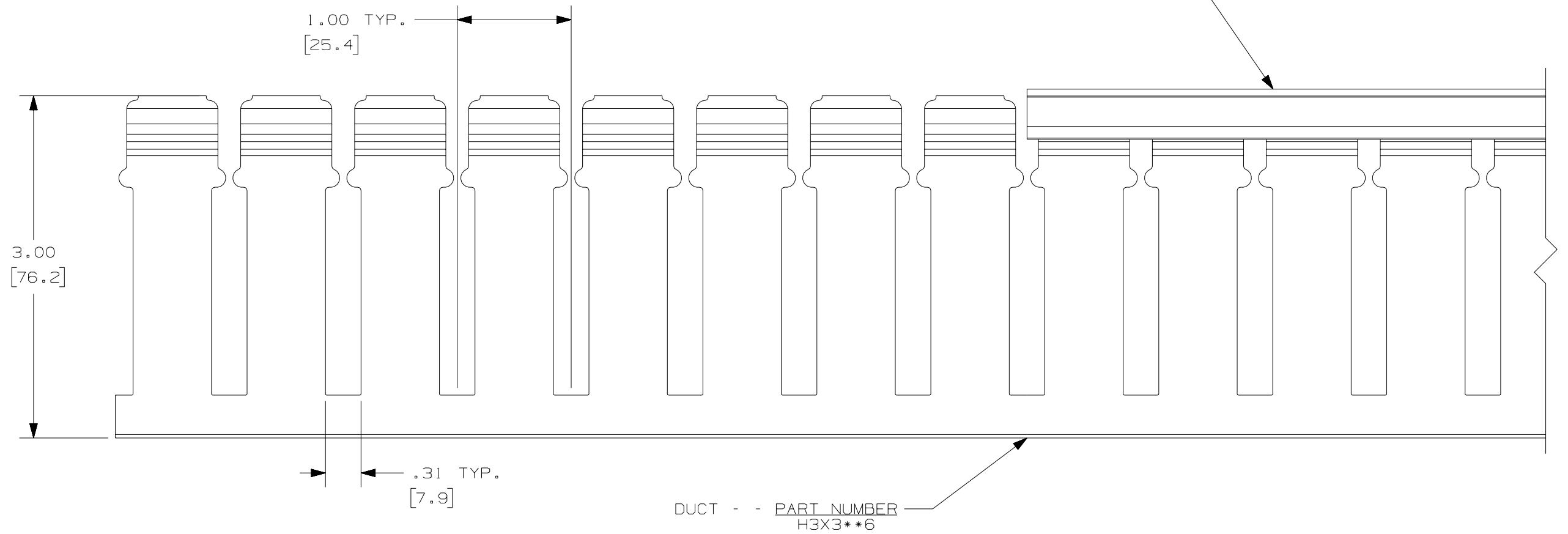
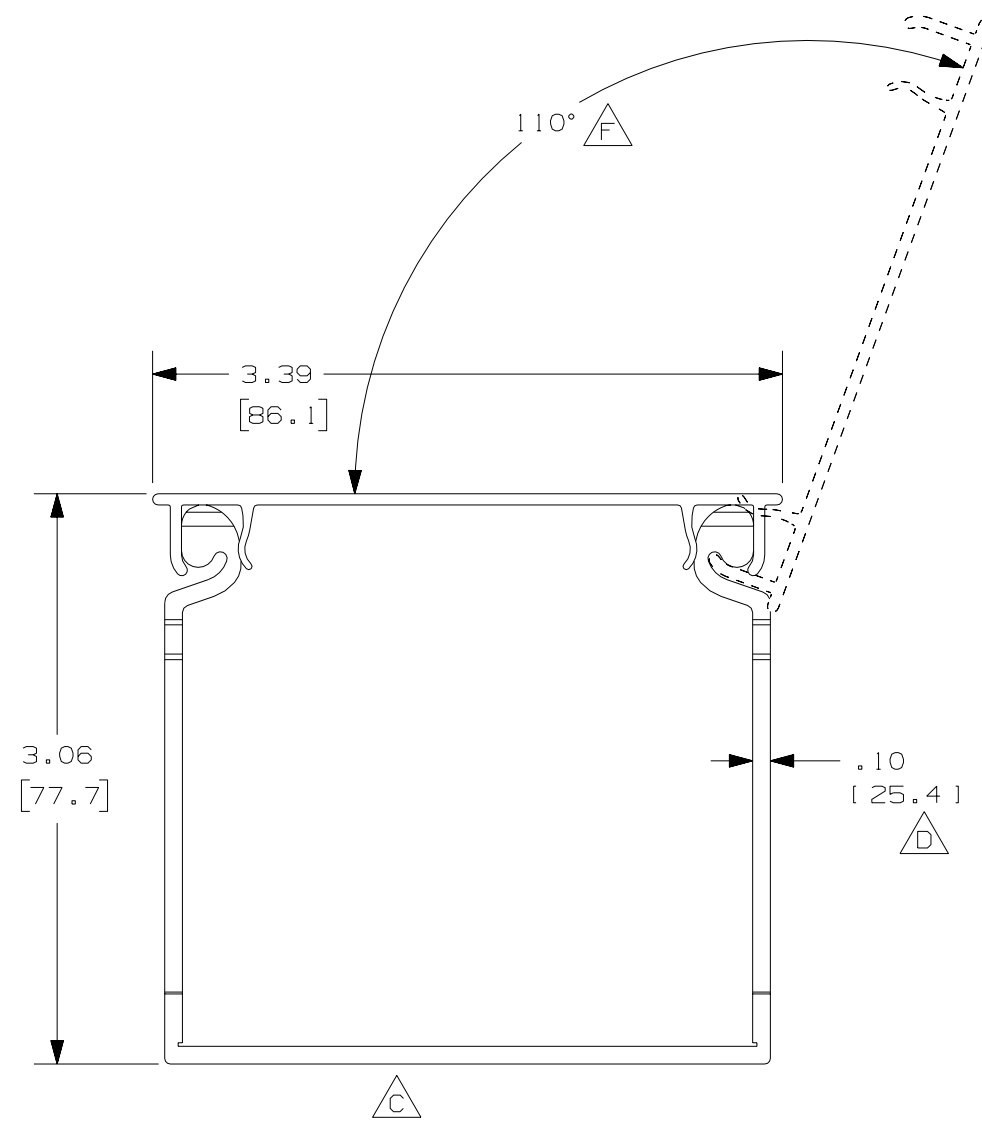
▪ Part Number	H3X4LG6
▪ RoHS Compliancy Status	Compliant
▪ Part Description	Wide finger, slotted hinged wiring duct.
▪ Material	Lead-Free PVC
▪ Color	Light Gray
▪ CSA Certified	Yes
▪ UL Recognized (File No. E147128)	Yes
▪ Length (ft.)	6
▪ Duct Size W x H (In.)	3.25 x 4.10
▪ Duct Size W x H (mm)	82.6 x 104.1
▪ Mounting Method	Standard Mounting Holes
▪ Pricing Description	Slotted Hinged Duct,PVC,3"X4"X6',Light Gray
▪ Slot Width (In.)	.31
▪ Slot Width (mm)	7.9

▪ Cover Part Number	HC3LG6
▪ Min. Order UOM	FT
▪ Min. Order Qty.	6
▪ BOM Qty. (# of Pkgs.)	

THIS COPY IS PROVIDED ON A RESTRICTED BASIS AND IS NOT TO BE USED IN ANY WAY DETRIMENTAL TO THE INTERESTS OF PANDUIT CORP.



COVER - - PART NUMBER
HC3**6



DUCT - - PART NUMBER
H3X3**6



NOTES:

1. ALL DIMENSIONS ARE REFERENCE ONLY.
2. DIMENSIONS IN PARENTHESIS ARE METRIC.
3. THE ** DENOTE COLOR.
4. DUCT AND COVER ARE AVAILABLE IN 6 FT [1828.8] LENGTHS.

REV	DATE	BY	CHK	DESCRIPTION
2	8/3/07	JCSTMKBE		F. ADDED ANGLE DIMENSION E. ADDED LENGTH NOTE D. CORRECTED DIMENSION C. DELETED DIMENSIONS B. ADDED DIMENSION
1	4/8/05	JCSTMKBE		A. MODIFIED DRAWING
R	1/14/05	JCSTMKBE		DRAWING RELEASED

CAD FILENAME/LAYERS		D110000R_DC_01C	
PANDUIT CORP. TINLEY PARK, ILLINOIS			
WIRING DUCT - TYPE H DUCT WITH COVER 3 X 3 MARKETING DRAWING			
DRWN BY JCST	MAT'L: PVC	SCALE FULL	DWG NO.
DATE 1/14/05	CHECKED BY MKBE	DRAWING NO. 36897-1027	SIZE C

