



GTSL

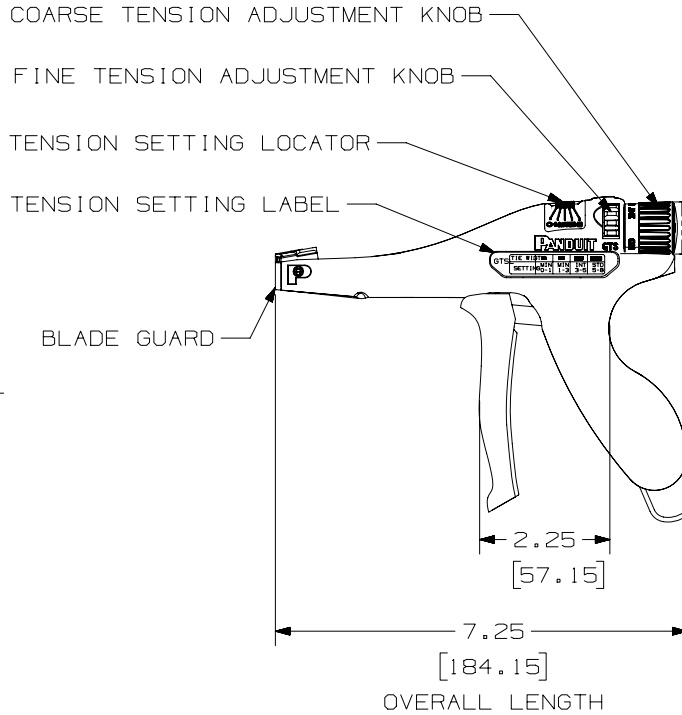
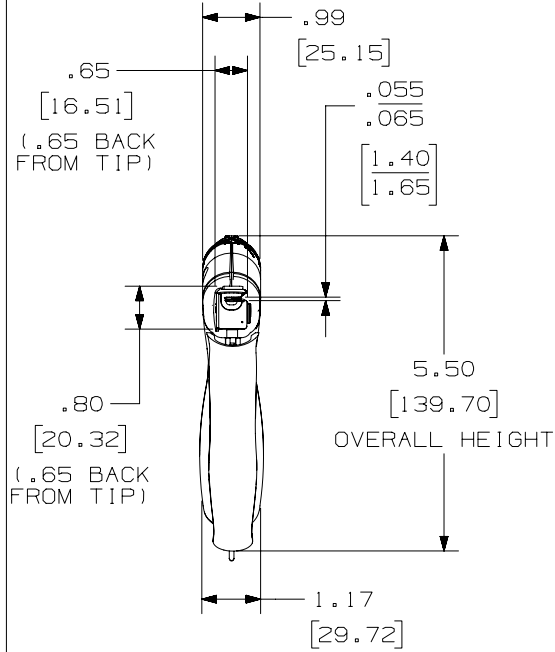


- Full selection of ergonomic and metal tools to install all *PANDUIT*® cable ties from Subminiature through Extra-Heavy cross sections
- Tool controlled tension provides flush cut-off and speeds installation to lower installed cost
- Easy to change tension adjustment and easy to operate
- Engineered to promote worker safety, reduce downtime, increase productivity and provide the lowest installed cost
- Used in production, maintenance, or construction applications
- Replacement blades available and requires no special maintenance

■ Part Number	GTSL
■ RoHS Compliancy Status	RoHS directive is not applicable
■ Part Description	Similar to GTS except shorter handle reach and stroke. Ergonomic design. Installs Subminiature, Miniature, Intermediate and Standard cross section cable ties. Color Identification: Maroon Trigger Handle and Selector Knob Body: Gray Impact Resistant Resin Housing Weight: 8.8 oz. (249g)
■ Product Type	Cable Tie Tools
■ Part Features	Ergonomic design with impact resistant resin housing, narrow nose, and cushion handle. Shorter handle reach (than GTS) for users with smaller hands.
■ Pricing Description	Ergonomic Cable Tie Tool for SM, M, I, S ties, Small handle span, Adj tension
■ Used With Cable Ties	SM, M, I, S
■ Weight (g)	249
■ Weight (oz.)	8.8
■ Min. Order UOM	PC
■ Min. Order Qty.	1
■ BOM Qty. (# of Pkgs.)	

THIS COPY IS PROVIDED ON A RESTRICTED BASIS AND IS NOT TO BE USED IN ANY WAY DETRIMENTAL TO THE INTERESTS OF PANDUIT CORP.

PANDUIT TOOL NO.	INSTALLS * THE FOLLOWING CABLE TIE CROSS-SECTIONS **	WEIGHT/PC	
		OZ	GRAMS
GTSL	SM,M,I,S	8.8	249



NOTES, UNLESS OTHERWISE SPECIFIED:

* THIS TOOL TIGHTENS CABLE TIES AND CUTS OFF EXCESS PORTION WHEN PRESET TENSION IS ATTAINED.

** CABLE TIE CROSS-SECTION CODE:
SM=SUBMINIATURE, M= MINIATURE
I= INTERMEDIATE, S= STANDARD.

SPECIFICATIONS SHOWN IN PARENTHESIS ARE METRIC.

REFERENCE:

KGTSBLD: REPLACEMENT BLADE KIT.
KGTSTL: TENSION LOCKING KIT.

WB24468D01: BLADE GUARD FOR *Contour-TY*

										CAD FILENAME/LAYERS R24915BA_DS_WB24915B01_00A				
										PANDUIT CORP TINLEY PARK, ILLINOIS				
										CD, GTSL				
										UNLESS OTHERWISE SPECIFIED, DIMENSIONAL TOLERANCES ARE: (.X) ± -- (.XXX) ± -- (.XX) ± -- ANGLES ± --				
										UNLESS OTHERWISE SPECIFIED, ALL DIMENSIONS ARE GIVEN IN INCHES, THIRD ANGLE PROJECTION				
										SCALE 1/2=1				
00	08-26-04	DCS	MBR	RELEASED	4140	--	DLWE			DATE 08-26-04	MAT'L#	----	DRAWING NO. WB24915B01	DWG SIZE B
REV	DATE	BY	CHK	DESCRIPTION	ECN	-	R	CUST	SUP	CHK'D	MBR			