

GTS



- Full selection of ergonomic and metal tools to install all *PANDUIT®* cable ties from Subminiature through Extra-Heavy cross sections
- Tool controlled tension provides flush cut-off and speeds installation to lower installed cost
- Easy to change tension adjustment and easy to operate
- Engineered to promote worker safety, reduce downtime, increase productivity and provide the lowest installed cost
- Used in production, maintenance, or construction applications
- Replacement blades available and requires no special maintenance

▪ Part Number	GTS
▪ RoHS Compliancy Status	RoHS directive is not applicable
▪ Part Description	Ergonomic design. Installs Subminiature, Miniature, Intermediate and Standard cross section cable ties. Qualified Product Listed per Mil. Std. MS90387-1 and Mil. Spec. MIL-T-81306A. Color Identification: Black Trigger Handle, Cushion Sleeve and Selector Knob Body: Gray Impact Resistant Resin Housing Weight: 9.8 oz. (278g)
▪ Product Type	Cable Tie Tools
▪ Mil. Std. Part Number	MS90387-1
▪ Part Features	Ergonomic design with impact resistant resin housing, narrow nose, and cushion handle.
▪ Pricing Description	Ergonomic Cable Tie Tool for SM, M, I, S ties, Adjustable tension
▪ Used With Cable Ties	SM, M, I, S
▪ Weight (g)	278
▪ Weight (oz.)	9.8
▪ Min. Order UOM	PC
▪ Min. Order Qty.	1
▪ BOM Qty. (# of Pkgs.)	

THIS COPY IS PROVIDED ON A RESTRICTED BASIS AND IS NOT TO BE USED IN ANY WAY DETRIMENTAL TO THE INTERESTS OF PANDUIT CORP.

NOTES, UNLESS OTHERWISE SPECIFIED:

* THIS TOOL TIGHTENS CABLE TIES AND CUTS OFF EXCESS PORTION WHEN PRESET TENSION IS ATTAINED.

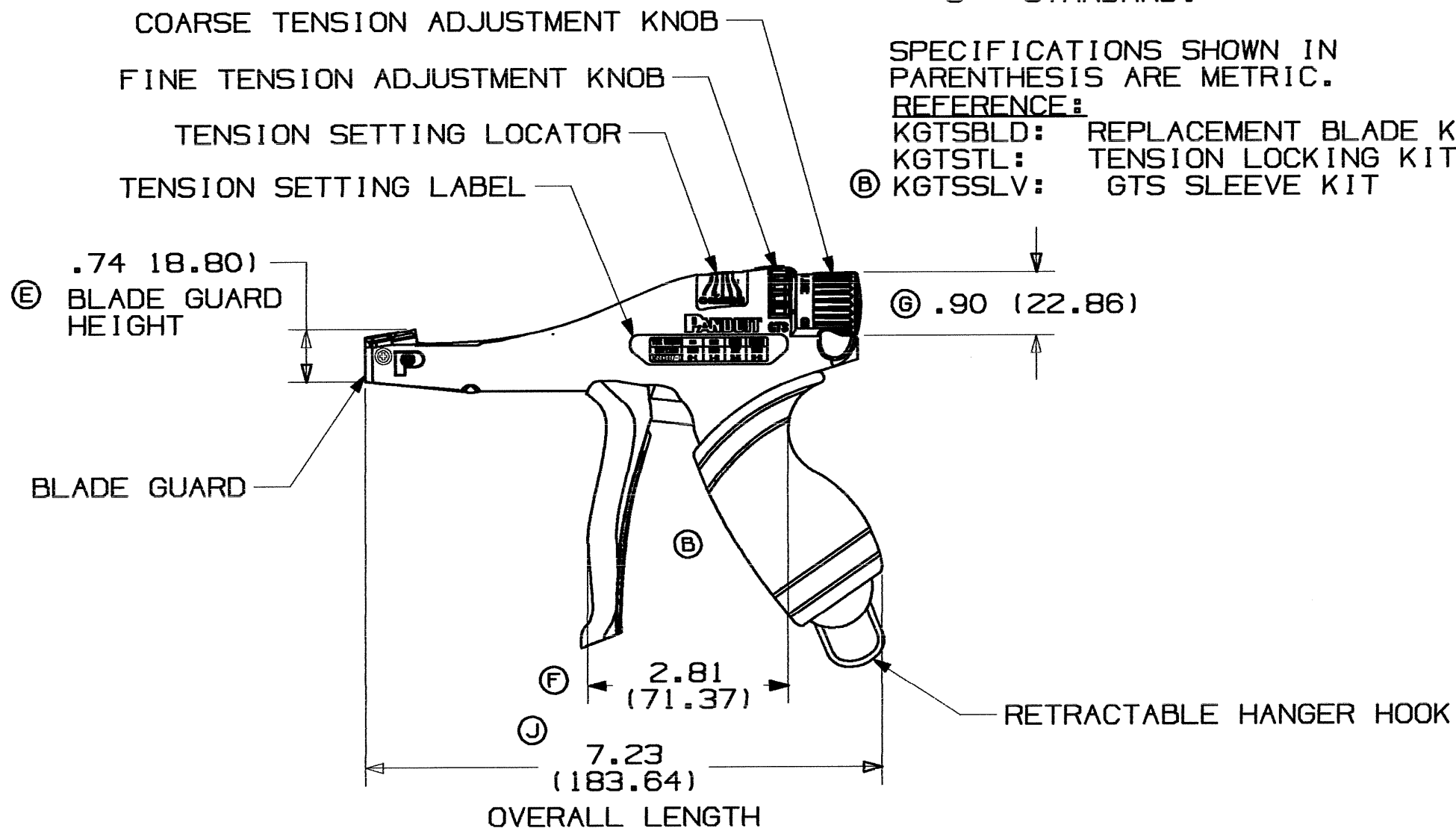
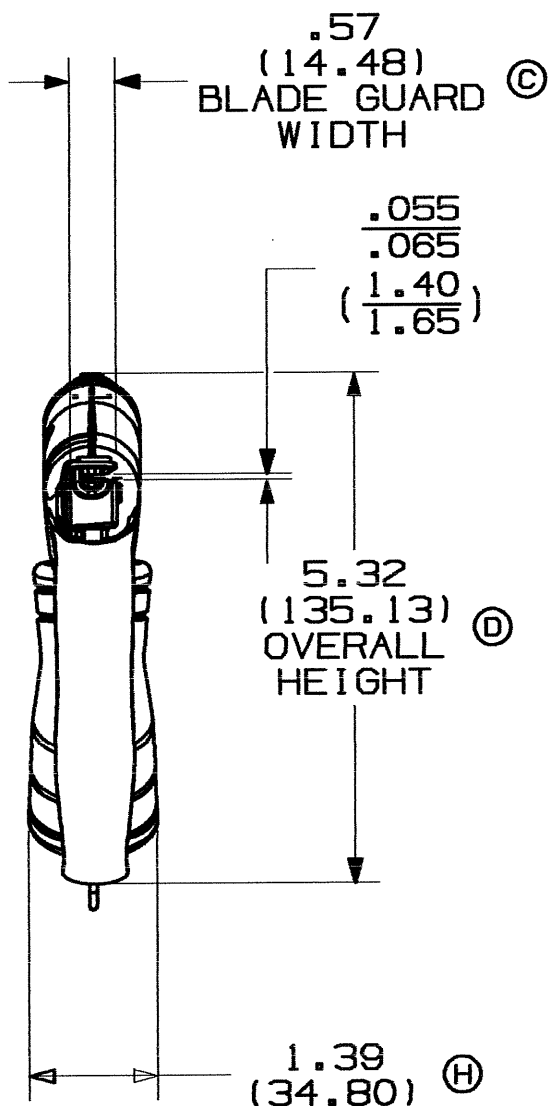
** CABLE TIE CROSS-SECTION CODE:
 SM = SUB-MINIATURE
 M = MINIATURE
 I = INTERMEDIATE
 S = STANDARD.

SPECIFICATIONS SHOWN IN PARENTHESIS ARE METRIC.

REFERENCE:

KGTSBLD: REPLACEMENT BLADE KIT
 KGTSTL: TENSION LOCKING KIT
 (B) KGTSSLV: GTS SLEEVE KIT

PANDUIT TOOL NO.	INSTALLS * THE FOLLOWING CABLE TIE CROSS-SECTIONS **	WEIGHT/PC	
		OZ	GRAMS
GTS	SM,M,I,S	9.8	277.8



										CAD FILENAME/LAYERS		R24229BA_DC_WB24229B01_04A			
										PANDUIT CORP TINLEY PARK, ILLINOIS					
										CD, GTS					
										UNLESS OTHERWISE SPECIFIED, DIMENSIONAL TOLERANCES ARE: (.X) ± -- (.XXX) ± -- (.XX) ± -- ANGLES ± --		UNLESS OTHERWISE SPECIFIED, ALL DIMENSIONS ARE GIVEN IN INCHES, THIRD ANGLE PROJECTION			
04	07-20-06	BJPU		CORRECTED TOOL WEIGHT WITH SLEEVE (K)	4201	--				OWN BY	JEH	MAT'L:		SCALE	1/2" = 1"
--	04-19-06	PWG		CORRECTED DIM'S: (C)-(G); UPDATED DIM'S: (H),(J)	----	--				DATE	4-28-00			DRAWING NO.	WB24229B01
03	04-19-06	PWG	BJPU	ADDED: (B) DAMPENING SLEEVE & KIT P/N KGTSSLV	4201	--	LAH			CHK'D	BJPU			SIZE	B
REV	DATE	BY	CHK	DESCRIPTION	ECN	R	CUST	SUP							