



GTH



- Full selection of ergonomic and metal tools to install all *PANDUIT*® cable ties from Subminiature through Extra-Heavy cross sections
- Tool controlled tension provides flush cut-off and speeds installation to lower installed cost
- Easy to change tension adjustment and easy to operate
- Engineered to promote worker safety, reduce downtime, increase productivity and provide the lowest installed cost
- Used in production, maintenance, or construction applications
- Replacement blades available and requires no special maintenance

■ Part Number	GTH
■ RoHS Compliancy Status	RoHS directive is not applicable
■ Part Description	Ergonomic design. Installs Standard, Heavy-Standard, Light-Heavy and Heavy cross section cable ties. Color Identification: Red Trigger Handle, Cushion Sleeve and Selector Knob Body: Gray Impact Resistant Resin Housing Weight: 12.0 oz. (340g)
■ Product Type	Cable Tie Tools
■ Part Features	Ergonomic design with impact resistant resin housing, narrow nose, and cushion handle.
■ Pricing Description	Ergonomic Cable Tie Tool for S, HS, LH, H ties, Adjustable tension
■ Used With Cable Ties	S, HS, LH, H
■ Weight (g)	340
■ Weight (oz.)	12.0
■ Min. Order UOM	PC
■ Min. Order Qty.	1
■ BOM Qty. (# of Pkgs.)	

THIS COPY IS PROVIDED ON A RESTRICTED BASIS AND IS NOT TO BE USED IN ANY WAY DETRIMENTAL TO THE INTERESTS OF PANDUIT CORP.

NOTES, UNLESS OTHERWISE SPECIFIED:

PANDUIT TOOL NO.	INSTALLS * THE FOLLOWING CABLE TIE CROSS-SECTIONS **	WEIGHT/PC	
		OZ	GRAMS
GTH	S,HS,LH,H	12.0	340.2

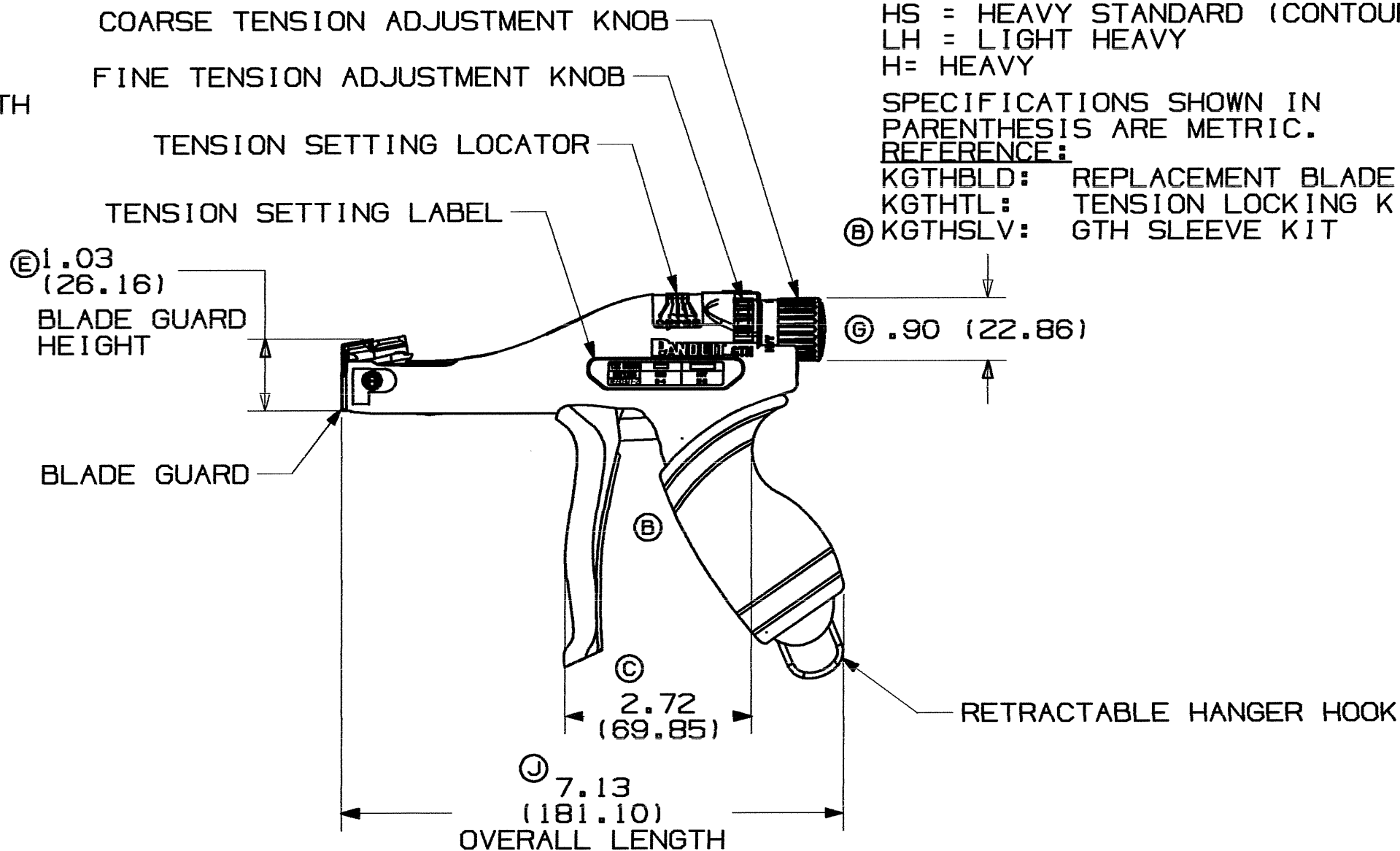
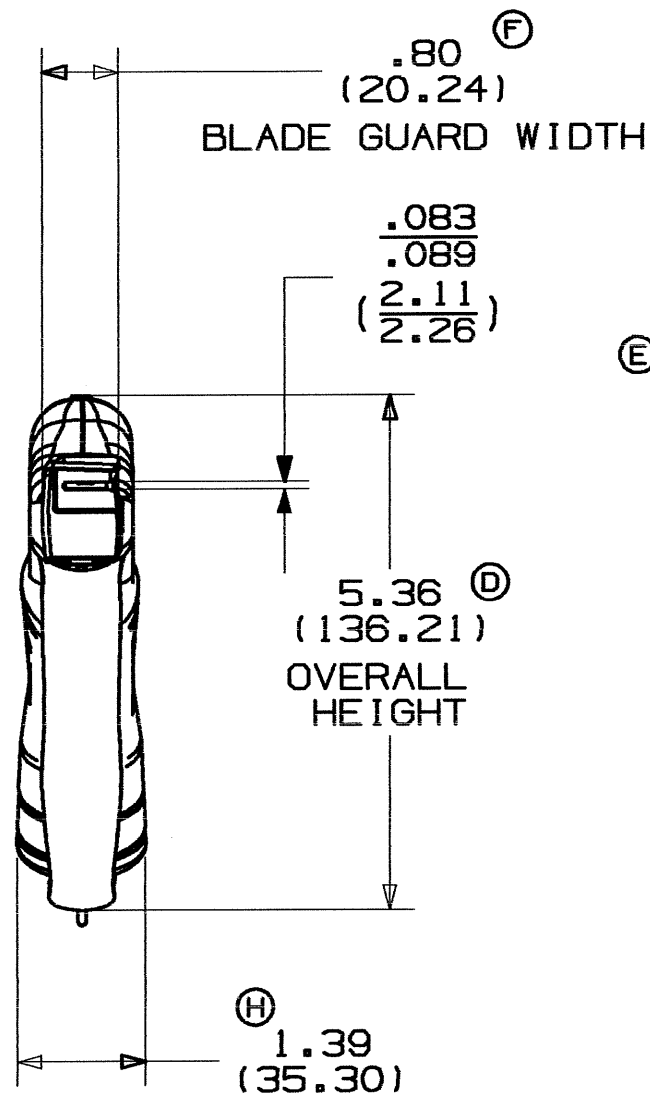
(K)

*THIS TOOL TIGHTENS CABLE TIES AND CUTS OFF EXCESS PORTION WHEN PRESET TENSION IS ATTAINED.

** CABLE TIE CROSS-SECTION CODE:
 S = STANDARD
 HS = HEAVY STANDARD (CONTOUR-TY)
 LH = LIGHT HEAVY
 H = HEAVY

SPECIFICATIONS SHOWN IN PARENTHESIS ARE METRIC.
 REFERENCE:

KGTHBLD: REPLACEMENT BLADE KIT
 KGTHTL: TENSION LOCKING KIT
 (B) KGTHSLV: GTH SLEEVE KIT



CD FILENAME/LAYER R24651BA_DC_WH24651B01_03A

PANDUIT CORP TINLEY PARK, ILLINOIS

CD, GTH

UNLESS OTHERWISE SPECIFIED, DIMENSIONAL TOLERANCES ARE:
 (.X) ± -- (.XXX) ± --
 (.XX) ± -- ANGLES ± --

UNLESS OTHERWISE SPECIFIED, ALL DIMENSIONS ARE GIVEN IN INCHES, THIRD ANGLE PROJECTION

REV	DATE	BY	CHK	DESCRIPTION	ECN	R	CUST	SUP
03	07-20-06	BJPU		CORRECTED TOOL WEIGHT WITH SLEEVE (K)	4201	--		
--	04-21-06	PWG		CORRECTED DIM'S: (C) - (G); UPDATE DIM'S: (H), (J)	----	--		
02	04-21-06	PWG	BJPU	ADDED: (B) DAMPENING SLEEVE & KIT P/N KGTHSLV;	4201	--	LAH	

DRAWN BY PWG
 DATE 4-21-06
 CHK'D BJPU

MAT'L: -----

SCALE 1/2" = 1"
 DRAWING NO. WH24651B01
 SIZE B