



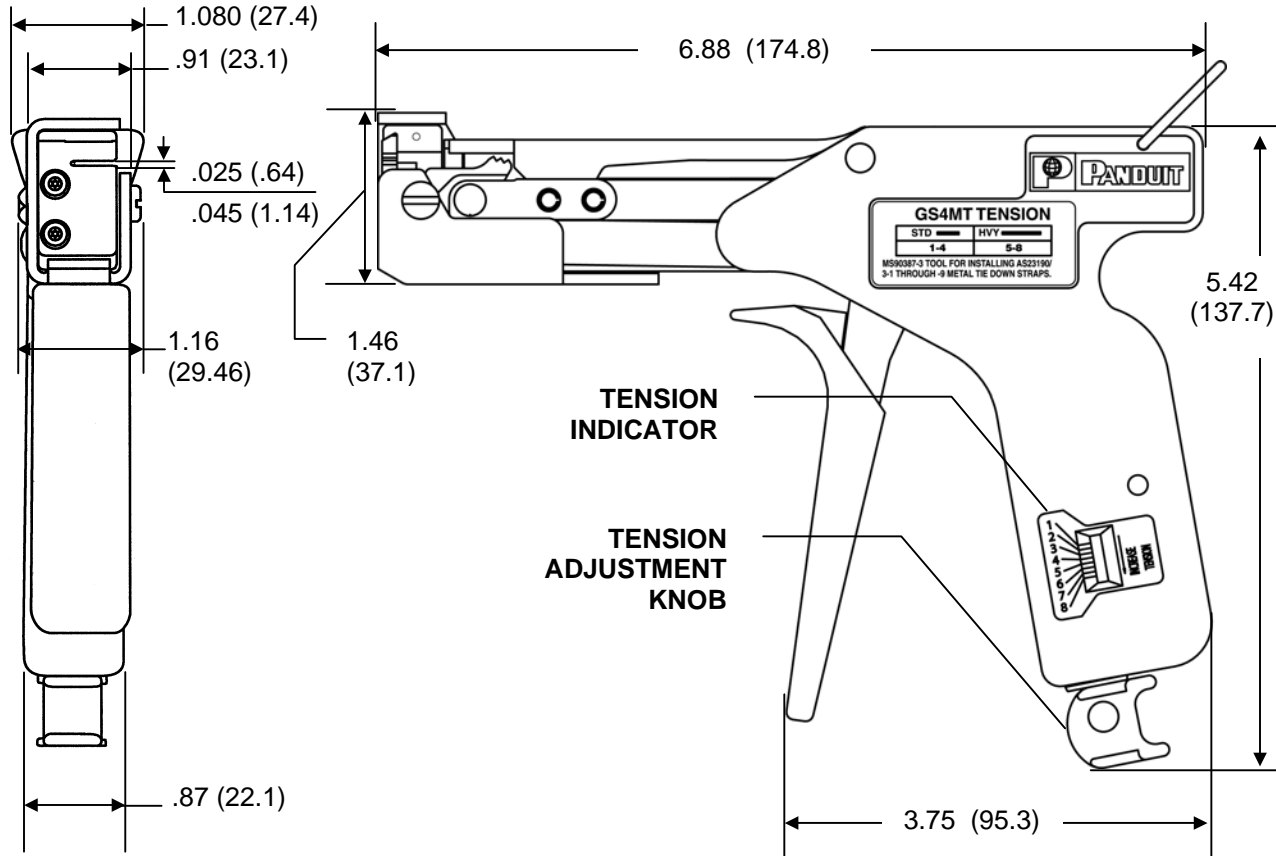
GS4MT



- Hand Operated Tool, Replacement Cutter Blade, Replacement Tension Gripper and Cut-off Accessory.
- Single handle operation for fast installation
- Cable tie side entry for immediate positioning of tie and tool
- Controlled tension, fully adjustable
- Easy removal of excess tie
- Qualified product listed per SAE Standard MS90387-3
- Automatically tensions and cuts off tie when predetermined tension is reached, providing more reliable and consistent installations*
- Installs standard .18 inch (4.6mm), light-heavy .25 inch (6.4mm) and heavy .31 inch (7.9mm) cross section ties

■ Part Number	GS4MT
■ RoHS Compliancy Status	RoHS directive is not applicable
■ Part Description	Used with standard, light-heavy, and heavy cross section <i>Pan-Steel</i> ® type MLT ties, type MLTC/MLTFC coated ties, and type MLTDH double wrapped ties.
■ Product Type	Cable Tie Tools
■ Pricing Description	Installation Tool, MLT Ties, Controlled Tension Gun Style, S LH H Cross Section
■ Min. Order UOM	PC
■ Min. Order Qty.	1
■ BOM Qty. (# of Pkgs.)	

THIS COPY IS PROVIDED ON A RESTRICTED BASIS AND IS NOT TO BE USED IN ANY WAY DETRIMENTAL TO THE INTERESTS OF PANDUIT CORP.



SPECIFICATIONS:

PANDUIT TOOL NO.: GS4MT
 TOOL WEIGHT: 19.2 oz. (544 gr.)

INSTALLS PANDUIT PAN-STEEL STANDARD (STD), LIGHT-HEAVY (LH) AND HEAVY (HVY) CROSS SECTION STAINLESS STEEL TIES.

- THIS MILITARY STANDARD MS-90387-3 TOOL CAN BE USED TO INSTALL THE FOLLOWING MLT STRAPS: AS23190/3-1,2,3,4,5,6,7,8,9
- THIS TOOL TIGHTENS STAINLESS STEEL TIES AND CUTS OFF EXCESS PORTION WHEN PRESET TENSION IS ATTAINED
- SUPPLIED WITH SELECTOR KNOB FOR TENSION ADJUSTMENT.

DIMENSIONS SHOWN IN PARENTHESES ARE METRIC

F:/RVUSERS/ENGDOCS/CUSTDWGS/WB17905A01_02.doc

								PANDUIT CORP. TINLEY PARK, ILLINOIS	
								GS4MT CUSTOMER DRAWING	
								UNLESS OTHERWISE SPECIFIED, DIMENSIONAL TOLERANCES ARE: (.x) ± --- (.xxx) ± --- (.xx) ± --- ANGLES ± ---	
								UNLESS OTHERWISE SPECIFIED, ALL DIMENSIONS ARE GIVEN IN INCHES, THIRD ANGLE PROJECTION.	
02	10-25-06	BLR	ABJ	UPDATE STRAP SPEC "MLT / AS"	4198	--	LAH		
01	7-25-05	BLR	ABJ	REDRAWN WITH CHANGES: STRAP RANGE, WEIGHT (OZ).	4156	--	DLWE	DRAWN BY: BLR	MATL: CUSTOMER DRAWING
REV	DATE	BY	CHK'D	DESCRIPTION	ECN	-R	CUST	DATE: 7-25-05	SCALE NONE
								CHK'D: BAK	DRAWING NO. WB17905A01
									DWG A SIZE