

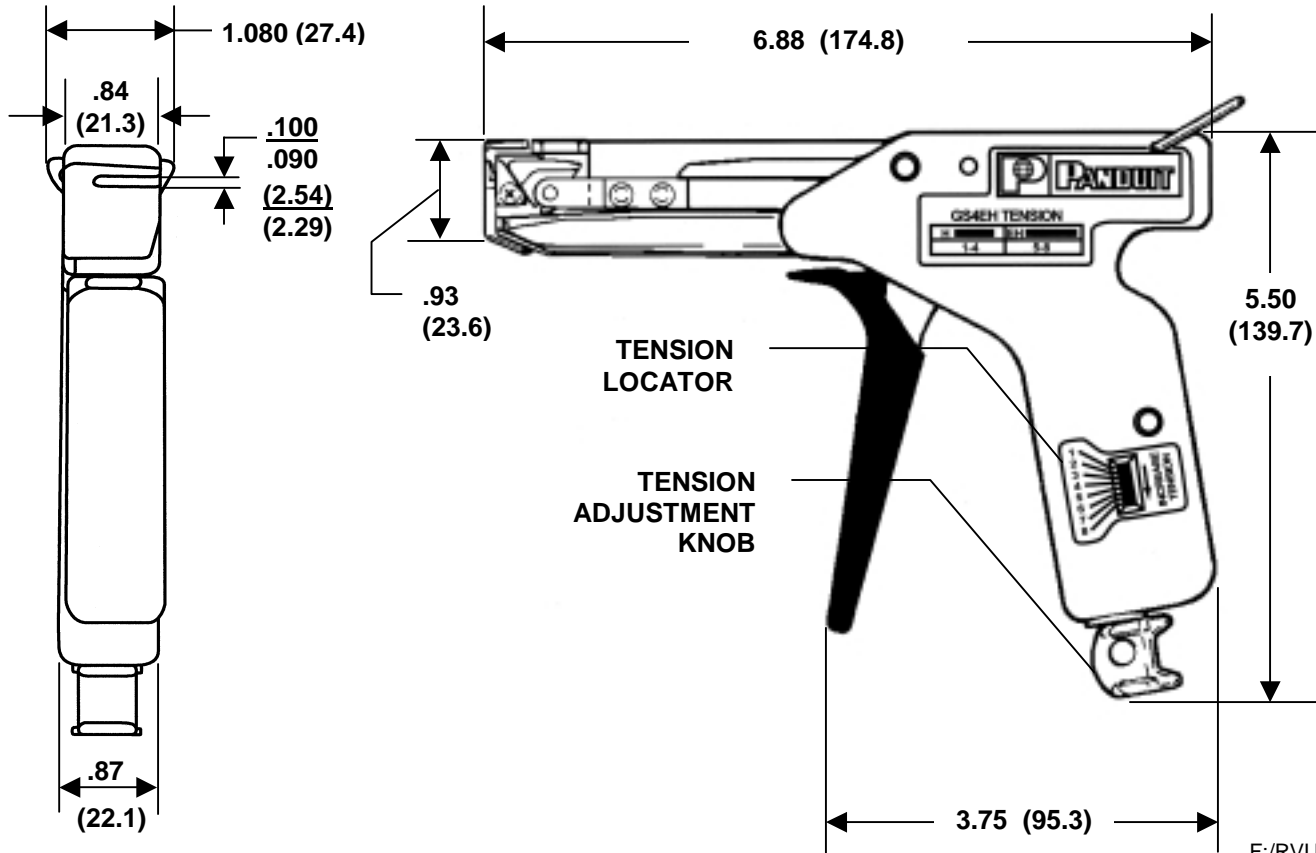
GS4EH



- Full selection of ergonomic and metal tools to install all *PANDUIT*® cable ties from Subminiature through Extra-Heavy cross sections
- Tool controlled tension provides flush cut-off and speeds installation to lower installed cost
- Easy to change tension adjustment and easy to operate
- Engineered to promote worker safety, reduce downtime, increase productivity and provide the lowest installed cost
- Used in production, maintenance, or construction applications
- Replacement blades available and requires no special maintenance

■ Part Number	GS4EH
■ RoHS Compliancy Status	RoHS directive is not applicable
■ Part Description	Installs Light-Heavy, Heavy and Extra-Heavy cross section cable ties. Color Identification: Blue Trigger Handle and Selector Knob Body: Gray Metal Housing Weight: 16 oz. (454g)
■ Product Type	Cable Tie Tools
■ Part Features	Metal tool with a durable powder coat finish.
■ Pricing Description	Cable Tie Tool for LH, H, EH ties, Adjustable tension
■ Used With Cable Ties	LH, H, EH
■ Weight (g)	454
■ Weight (oz.)	16.0
■ Min. Order UOM	PC
■ Min. Order Qty.	1
■ BOM Qty. (# of Pkgs.)	

THIS COPY IS PROVIDED ON A RESTRICTED BASIS AND IS NOT TO BE USED IN ANY WAY DETRIMENTAL TO THE INTERESTS OF PANDUIT CORP.



SPECIFICATIONS:

PANDUIT TOOL NO.: GS4EH
 TOOL WEIGHT: 16 oz. (454 gr.)


INSTALLS LIGHT-HEAVY, HEAVY AND EXTRA-HEAVY CROSS SECTION CABLE TIES.

CABLE TIE CROSS SECTION CODE:
 LH = LIGHT-HEAVY
 H = HEAVY
 EH = EXTRA-HEAVY

- THIS TOOL TIGHTENS CABLE TIES AND CUTS OFF EXCESS PORTION WHEN PRESET TENSION IS ATTAINED.
- SUPPLIED WITH SELECTOR KNOB FOR TENSION ADJUSTMENT.

DIMENSIONS SHOWN IN PARENTHESIS ARE METRIC.

F:/RVUSERS/ENGDOCS/CUSTDWGS/GSH-08267A-CD_08.doc

											CORP. TINLEY PARK, ILLINOIS	
									GS4EH CUSTOMER DRAWING			
									UNLESS OTHERWISE SPECIFIED, DIMENSIONAL TOLERANCES ARE:		UNLESS OTHERWISE SPECIFIED, ALL DIMENSIONS ARE GIVEN IN INCHES, THIRD ANGLE PROJECTION.	
									(.x) ± --- (.xxx) ± ---			
									(.xx) ± --- ANGLES ± ---			
08	11-28-05	BLR	ABJ	ADD LH TIE	4176	--	BKA		DRAWN BY: BLR	MATERIAL: CUSTOMER DRAWING	SCALE NONE	
07	2-26-04	BLR	ABJ	REDRAWN	4121	--	DLWE		DATE: 2-26-04		DRAWING NO.	
REV	DATE	BY	CHK'D	DESCRIPTION	ECN	-R	CUST	SUP	CHK'D: ABJ		GSH-08267A-CD	
										DWG A SIZE		