



FL50X50LG-A

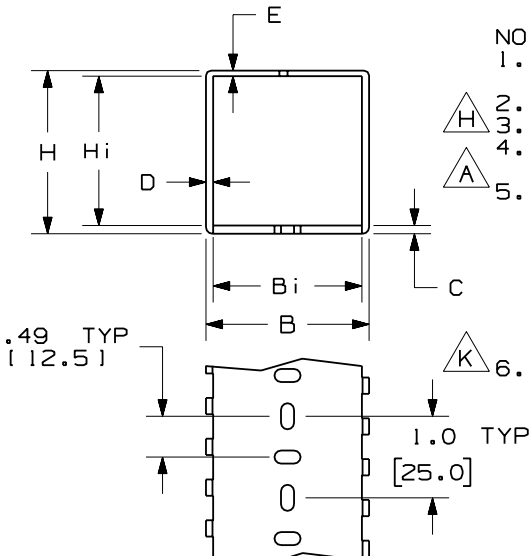
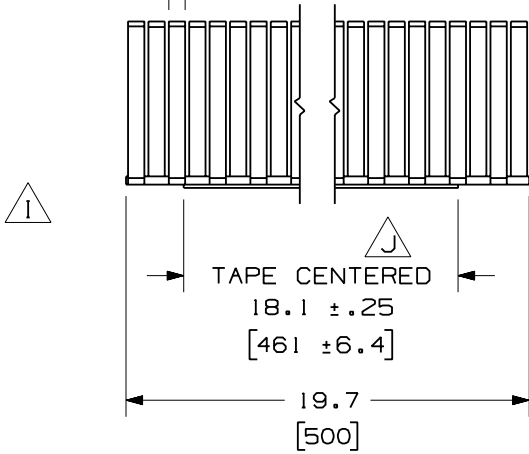


- *PANDUIT* Flexible Duct is a one piece slotted sidewall, open finger design wiring duct intended to route and protect wires installed in control panel applications that require flexibility. *PANDUIT* Flexible Wiring Duct has offset fingers which extend from the sides and come together at the top of the duct to completely enclose any wire or cable. Due to its flexibility, Flexible Wiring Duct is useful in routing wires from control panel back planes and sidewalls, over hinges, to components mounted on control panel doors.
- **Specifications**
 - Flexible polypropylene material
 - UL Recognized continuous use temperatures up to 149°F (65°C)
 - UL94 Flammability Rating of V-2
 - Factory applied adhesive tape provided for easy mounting
- **Features and Benefits**
 - Flexible Duct can be used in applications requiring flexibility where conventional wiring duct cannot
 - Fully enclosed design retain cables while reducing number of parts needed to stock
 - Offset, angled fingers reduces installation time compared to designs with overlapping fingers
- Available in LG (RAL 7040 Light Gray) color only.

■ Part Number	FL50X50LG-A
■ RoHS Compliancy Status	Compliant
■ Part Description	Slotted sidewall, open finger design wiring duct.
■ Material	Polypropylene
■ Color	RAL 7040 Light Gray
■ Length (In.)	19.7
■ Length (mm)	500
■ Adhesive Mounting Tape	Yes
■ Duct Size W x H (In.)	1.97 x 1.97
■ Duct Size W x H (mm)	50.0 x 50.0
■ Mounting Method	Pressure Sensitive Adhesive Tape
■ Pricing Description	Slotted Duct, Polypropylene,50X50X500mm,LG,Adh.
■ Min. Order UOM	PC
■ Min. Order Qty.	32
■ BOM Qty. (# of Pkgs.)	

THIS COPY IS PROVIDED ON A RESTRICTED BASIS AND IS NOT TO BE USED IN ANY WAY DETRIMENTAL TO THE INTERESTS OF PANDUIT CORP.

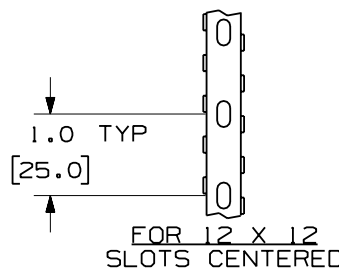
.2 [5.1] TYP FINGER WIDTH



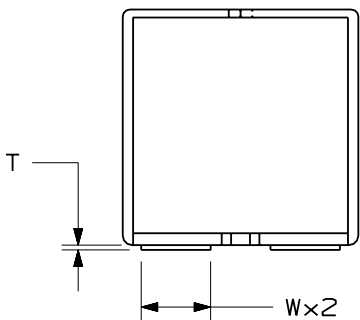
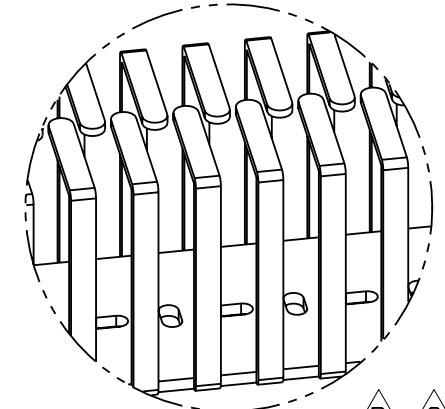
NOTES:

1. DIMENSIONS IN PARENTHESES ARE IN METRIC.
2. COLOR: LIGHT GREY
3. "T" DIMENSION IS REFERENCE ONLY.
4. MOUNTING HOLE SLOT DIMENSIONS: .16 (4.0) X .31 (8.0) - TYP.
5. NO WARRANTY, EXPRESSED OR IMPLIED, IS MADE BY PANDUIT WITH THE RESPECT TO ADHESIVE BOND PERFORMANCE. AMONG OTHER THINGS, THE CONDITIONS UNDER WHICH THESE DUCTS MAY BE APPLIED AND/OR THE SURFACE TO WHICH THEY MAY BE APPLIED ARE BEYOND PANDUIT'S CONTROL.
6. ONE COMPLETE MOUNTING HOLE ON BOTH ENDS OF DUCT WILL NOT BE COVERED BY TAPE.

FOR 25 X 25 & 50 X 50 SLOTS CENTERED



FOR 12 X 12 SLOTS CENTERED



FL50X50LG-A
2 STRIPS OF TAPE

FL12X12LG-A & FL25X25LG-A
TAPE CENTERED

CAD FILENAME/LAYERS D38086BC_DC_FL50X50_00G.prt

--	-----	---	---	K. ADDED NOTE ABOUT TAPE LOCATION	-----	---	---		
6	4-4-06	JCST	JKG	J. ADDED DIMENSION I. CHANGED VIEW: ADDED TAPE	38086-03	JKG	JKG		
5	4-13-05	JCST	JKG	H. CHANGED PART # (COLOR CHANGE - WAS GR-GRAY/GREEN) G. CHANGED MATERIAL	38086-03	HIW	HIW		
4	7-26-04	JCST	JKG	F. CHANGED MATERIAL AND TITLE	38086-03	HIW	HIW		
3	3-29-04	JCST	JKG	E. REMOVED PARTS FROM CHART	38086-03	HIW	HIW		
2	2-27-02	JCST	JKG	D. CHANGED VIEWS AND DIMENSIONS C. ADDED SHEET 2	38086-03	RTF	RTF		
1	8-10-01	JCST	JKG	B. CHANGED TAPE DIMENSION FOR 12X12 DUCT A. ADDED BOTTOM VIEWS AND NOTE 4 & 5	38086-03	RTF	RTF		
R	4-10-01	JCST	JKG	RELEASED TO PRODUCTION	38086-03	HIW	HIW		
REV	DATE	BY	CHK	DESCRIPTION	ECN	R	CUST	SUP	

PANDUIT CORP. TINLEY PARK, ILLINOIS

FLEXIBLE DUCT
SIZES: 12.5mm, 25mm, 50mm

CUSTOMER DRAWING

UNLESS OTHERWISE SPECIFIED, DIMENSIONAL TOLERANCES ARE:
(.X) ± .04 (1.0) (.XXX) ± (.XX) ± .03 (.8) ANGLES ±

UNLESS OTHERWISE SPECIFIED, ALL DIMENSIONS ARE GIVEN IN INCHES, THIRD ANGLE PROJECTION.

SCALE NONE

DRAWING NO. 38086-03

SHT. 1 OF 2

DWG A SIZE

MAT'L: POLYPROPYLENE

DATE 4-10-01

CHK'D JKG

DRAWN BY JCST



THIS COPY IS PROVIDED ON A RESTRICTED BASIS AND IS NOT TO BE USED IN ANY WAY DETRIMENTAL TO THE INTERESTS OF PANDUIT CORP.

\triangle E \triangle H

\triangle D

\triangle B

PANDUIT P/N	B x H	Bi x Hi	C	D	E	TAPE QTY. W x T	WEIGHT	PKG. QTY.
FL12X12LG-A	.5 X .5 (12.5 X 12.5)	.4 X .4 (10.3 X 10.6)	.04 (1.1)	.04 (1.0)	.04 (0.9)	1 .24 (6) x .04 (1)	0.03LB/ea 12.3g/ea	112
FL25X25LG-A	1.0 X 1.0 (25 X 25)	.9 X .9 (21.8 X 22.3)	.06 (1.6)	.06 (1.5)	.05 (1.2)	1 .58 (15) x .04 (1)	0.07LB/ea 33.3g/ea	70
FL50X50LG-A	2.0 X 2.0 (50 X 50)	1.8 X 1.8 (45.0 X 46.1)	.10 (2.5)	.09 (2.2)	.07 (1.7)	2 .58 (15) x .04 (1)	0.23LB/ea 103.3g/ea	32

\triangle C

CAD FILENAME/LAYERS D38086BC_DC_FL50X50_00G.PRT

REV	DATE	BY	CHK	DESCRIPTION	ECN	CHK	CUST	SUP
6	4-4-06	JCST	JKG	SEE SHEET # 1	38086-03	JKG	JKG	
5	4-13-05	JCST	JKG	SEE SHEET # 1	38086-03	HIW	HIW	
4	7-26-04	JCST	JKG	SEE SHEET # 1	38086-03	HIW	HIW	
3	3-29-04	JCST	JKG	SEE SHEET # 1	38086-03	HIW	HIW	
2	2-27-02	JCST	JKG	SEE SHEET # 1	38086-03	RTF	RTF	
1	8-10-01	JCST	--	SEE SHEET # 1	38086-03	--	--	
R	4-10-01	JCST	--	SEE SHEET # 1	38086-03	--	--	

PANDUIT CORP. TINLEY PARK, ILLINOIS

FLEXIBLE DUCT
SIZES: 12.5mm, 25mm, 50mm \triangle F
CUSTOMER DRAWING

UNLESS OTHERWISE SPECIFIED,
DIMENSIONAL TOLERANCES ARE:
(.X) ± .04 (1.0) (.XXX) ±
(.XX) ± .03 (.8) ANGLES ±

UNLESS OTHERWISE SPECIFIED,
ALL DIMENSIONS ARE GIVEN
IN INCHES, THIRD ANGLE PROJECTION.

DRAWN BY JCST	MAT'L: POLYPROPYLENE \triangle G \triangle F	SCALE NONE
DATE 4-10-01		DRAWING NO. 38086-03
CHK'D JKG		DWG SHT. 2 OF 2 A SIZE