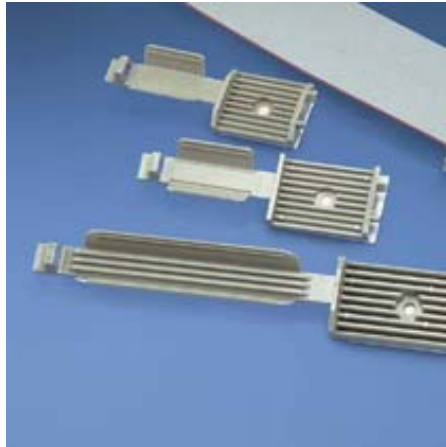




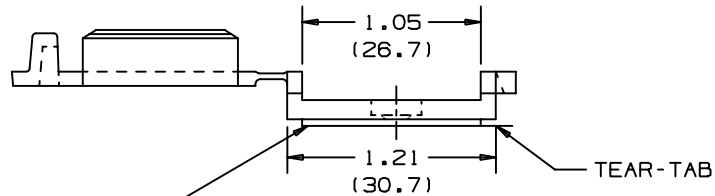
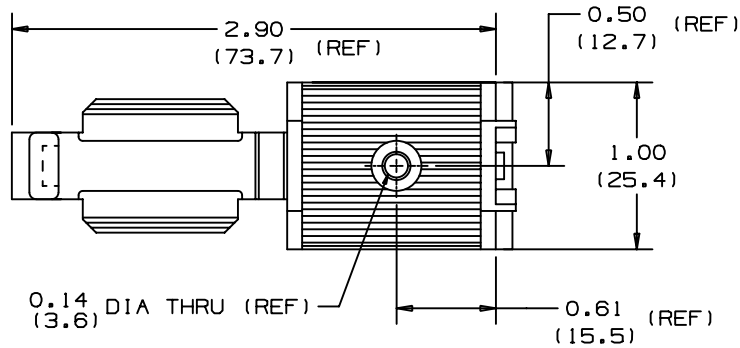
FCM1-A-T14



- Four sizes each with a stack height of .17" (4.3mm) to accommodate different flat cable widths. All sizes are available with adhesive backing or can be screw applied.

▪ Part Number	FCM1-A-T14
▪ RoHS Compliancy Status	Compliant
▪ Part Description	Adhesive Backed Latching Flat Cable Holder
▪ Material	Nylon 6.6
▪ Color	Gray
▪ UL Recognized	E136577
▪ Length (In.)	2.90
▪ Length (mm)	73.7
▪ Width (In.)	1.05
▪ Width (mm)	26.7
▪ Adhesive Type	Rubber Adhesive
▪ Cable Width (In.)	1.05
▪ Cable Width (mm)	26.7
▪ Environment	Indoors
▪ Max. Flat Cable Width (In.)	1.00
▪ Max. Flat Cable Width (mm)	25.4
▪ Max. Static Load (g)	227
▪ Max. Static Load (Lbs.)	.50
▪ Mounting Method	Rubber Adhesive
▪ Pricing Description	Flat Cable Mount, Adh., 1" (25.4mm) W Cable
▪ Screw Size	#6 (M3)
▪ Screw Size Metric	M3
▪ Min. Order UOM	PC
▪ Min. Order Qty.	200
▪ BOM Qty. (# of Pkgs.)	

THIS COPY IS PROVIDED ON A RESTRICTED BASIS AND IS NOT TO BE USED IN ANY WAY DETRIMENTAL TO THE INTERESTS OF PANDUIT CORP.



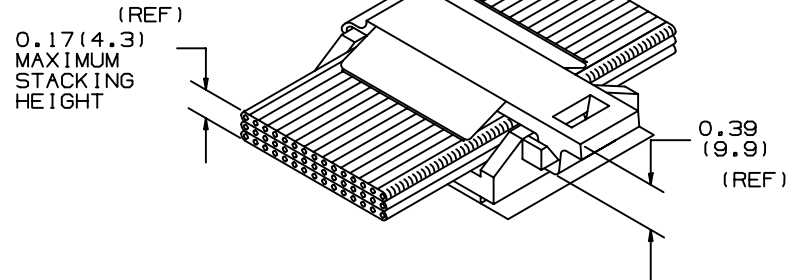
ADHESIVE TAPE: PRESSURE SENSITIVE FOAM 0.040 (1.02) THICK WITH RUBBER ADHESIVE AND PROTECTIVE LINER. MOUNT IS DESIGNED TO SUPPORT .50 lbs. (227g) MAXIMUM WEIGHT ON A CLEAN, DRY, SMOOTH, GREASE-FREE SURFACE.

NOTES:

1. SEE CURRENT PRICE SHEET FOR PART NUMBER SUFFIX DESIGNATION FOR PACKAGE SIZE AND PART COLOR.
2. TO APPLY ADHESIVE MOUNT:
 - a) REMOVE PROTECTIVE LINER;
 - b) PLACE IN DESIRED LOCATION;
 - c) APPLY PRESSURE TO TOP OF MOUNT.
3. [-A] REPRESENTS ADHESIVE MOUNT.

NO WARRANTY, EXPRESSED OR IMPLIED, IS MADE BY PANDUIT WITH RESPECT TO ADHESIVE BOND PERFORMANCE. AMONG OTHER THINGS, THE CONDITIONS UNDER WHICH THESE MOUNTS MAY BE APPLIED AND/OR THE SURFACE TO WHICH THEY MAY BE APPLIED ARE BEYOND PANDUIT'S CONTROL.

PANDUIT PART No.	MATERIAL	REC'M. SCREW FASTENER	WEIGHT lbs./100 (g) / PCS.
FCM1-A	NYLON 6/6	N/A	0.85 (386)
FCM1-S6		SEE NOTE 1	0.80 (363)
FCM1-S6-30	HEAT STABILIZED BLACK NYLON	#6(M3) SHCS OR BUTTON HD.	0.78 (353.5)



(DIMENSIONS IN PARENTHESES ARE IN METRIC.)

CAD FILENAME/LAYERS G00239GR_PB_FCM1_02



TINLEY PARK, ILLINOIS

1 INCH FLAT CABLE MOUNT (FCM1-___-___)

UNLESS OTHERWISE SPECIFIED, DIMENSIONAL TOLERANCES ARE:
 (.X) ± N/A (.XXX) ± N/A
 (.XX) ± .020 (.5) ANGLES ± 5°

UNLESS OTHERWISE SPECIFIED, ALL DIMENSIONS ARE GIVEN IN INCHES, THIRD ANGLE PROJECTION.

DRAWN BY JAD

MAT'L:

SCALE FULL

DATE 8/14/00

SEE TABLE

DRAWING NO.

G00239GR

DWG

A SIZE

REV	DATE	BY	CHK	DESCRIPTION	ECN	R	CUST	SUP
2	7/24/01	LGG		UPDATED FOR WEB	GB0239GR	2		
1	9-1-00	CGSM		ADDED DIA THRU HOLE REF DIMENSION	GB0239GR	1		
R	8/14/00	JAD		INITIAL RELEASE, REPLACES SS-15493 RV.4	GB0239GR	R		