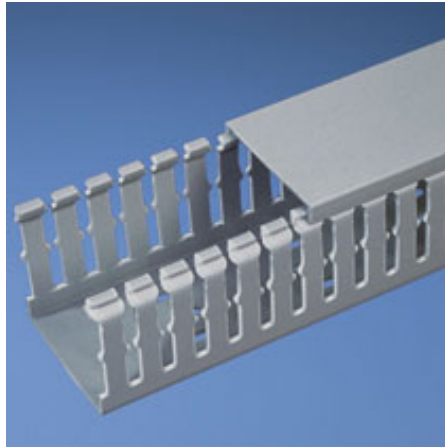




## F4X4LG6

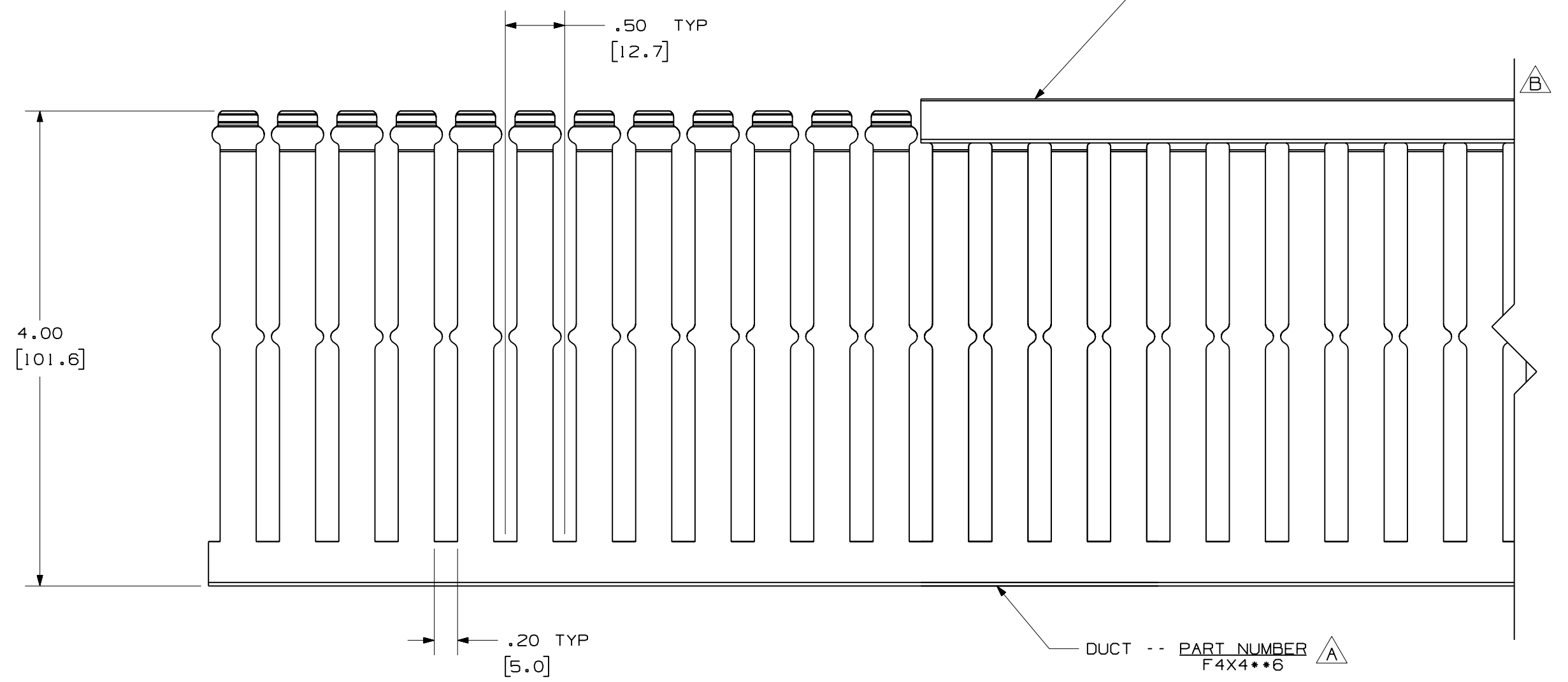
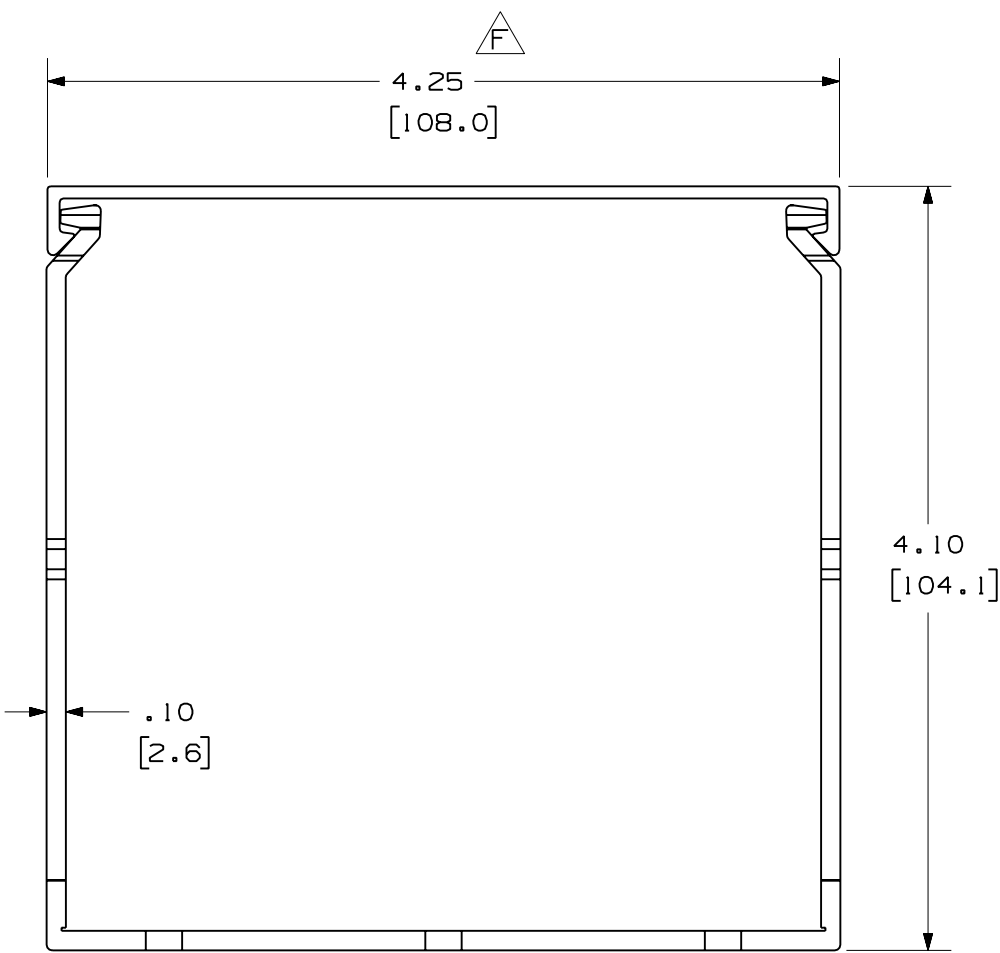
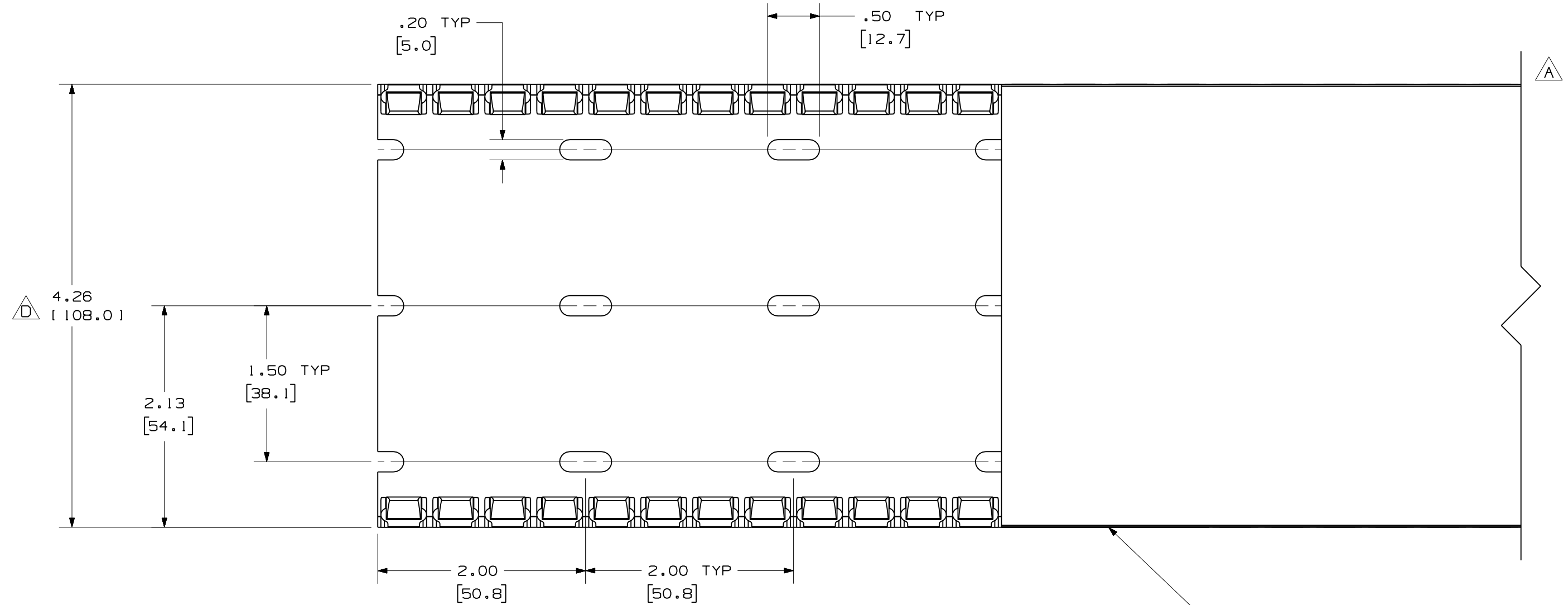


- Choose from 29 sizes of *PANDUIT* Type F Wiring Duct from 0.5" x 0.5" up to 4.0" x 5.0". Used for general purpose control panel wiring in communication closets. Ideal for use with high-density terminal blocks. The non-slip cover conceals all wiring and is easy to install. The duct and cover form a flush sidewall providing increased capacity and improved aesthetics.
- **Specifications**
  - Made of lead-free PVC
  - UL Recognized continuous use temperature: 50°C (122°F)
  - UL94 Flammability Rating of V-0
  - Conforms with NFPA 79-2002 section 14.3.1 requirement for flame retardant material
  - Available in Light Gray and White
  - Provided with mounting holes
- **Features and Benefits**
  - Narrow finger/slot design allows further fanning of wires for neater wire management in high-density control panels
  - *PANDUIT* exclusive rounded edges protects hands and wiring/cabling from abrasion
  - Non-slip cover stays in place during shipment, vibration and when in a vertical orientation, eliminating rework
  - Flush cover design holds 10-12% more wires than traditional duct designs
  - Double scoreline allows quick modification for larger cabling bundles saving installation time leading to a lower installed cost
  - Specially formulated lead-free material eliminates health concerns associated with PVC that contains lead
  - Double restricted slot design retains wire in slot for fast, easy wire installation or removal
- Base and cover sold separately.

▪ Part Number	F4X4LG6
▪ RoHS Compliancy Status	Compliant
▪ Part Description	Narrow finger, slotted wiring duct.
▪ Material	Lead-Free PVC
▪ Color	Light Gray
▪ CSA Certified	Yes
▪ UL Recognized (File No. E147128)	Yes
▪ Length (ft.)	6
▪ CE Marking	Yes
▪ Duct Size W x H (In.)	4.25 x 4.10
▪ Duct Size W x H (mm)	108.0 x 104.1
▪ Mounting Method	Standard Mounting Holes
▪ Pricing Description	Slotted Duct,PVC,4"X4"X6',LGray
▪ Slot Width (In.)	.20

▪ Slot Width (mm)	5.0
▪ Cover Part Number	C4LG6
▪ Min. Order UOM	FT
▪ Min. Order Qty.	6
▪ BOM Qty. (# of Pkgs.)	

THIS COPY IS PROVIDED ON A RESTRICTED BASIS AND IS NOT TO BE USED IN ANY WAY DETRIMENTAL TO THE INTERESTS OF PANDUIT CORP.



A G

NOTES:

1. ALL DIMENSIONS ARE REFERENCE ONLY.
2. DIMENSIONS IN PARENTHESIS ARE METRIC.
3. THE \*\* DENOTE COLOR.
4. DUCT AND COVER ARE AVAILABLE IN 6 FT [1828.8] LENGTHS

REV	DATE	BY	CHK	DESCRIPTION
--	-----	---	---	G. ADDED LENGTH NOTE F. CORRECTED DIMENSION
2	7/23/07	JCSTMKBE		E. DELETED DIMENSION D. ADDED DIMENSION
--	-----	---	---	C. CHANGED DRAWING SIZE
1	9/2/04	JCSTMKBE		B. CHANGED VIEW A. ADDED TOP VIEW, NOTES, AND LABELS
R	3/20/03	JCST JGG		DRAWING RELEASED

CAD FILENAME/LAYERS		D11000CU_DC/00C	
<b>PANDUIT</b> CORP. TINLEY PARK, ILLINOIS			
WIRING DUCT - TYPE F DUCT WITH COVER 4X4			
MARKETING DRAWING			
DRWN BY JCST	MAT'L: PVC	SCALE FULL	DWG NO.
DATE 3/20/03			36897-783
CHECKED BY JGG			DWG SIZE C