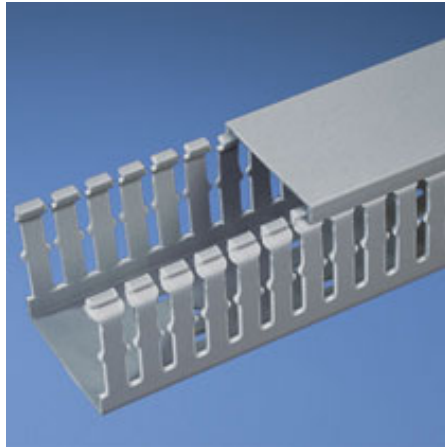




F3X4LG6

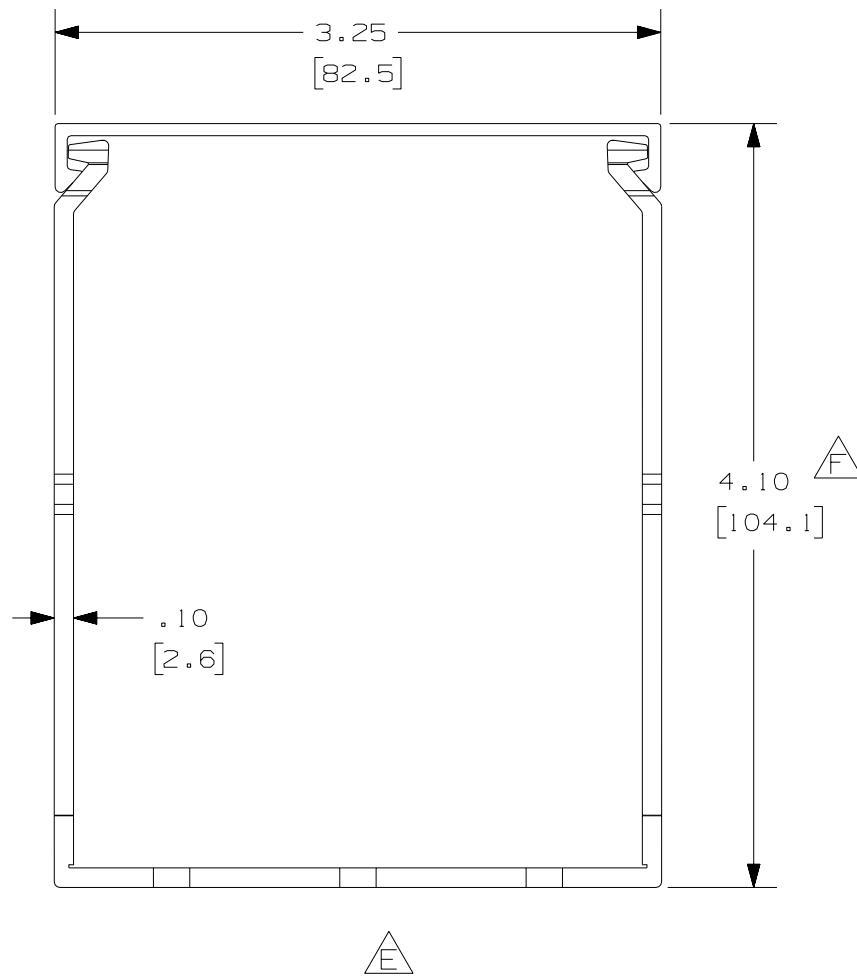
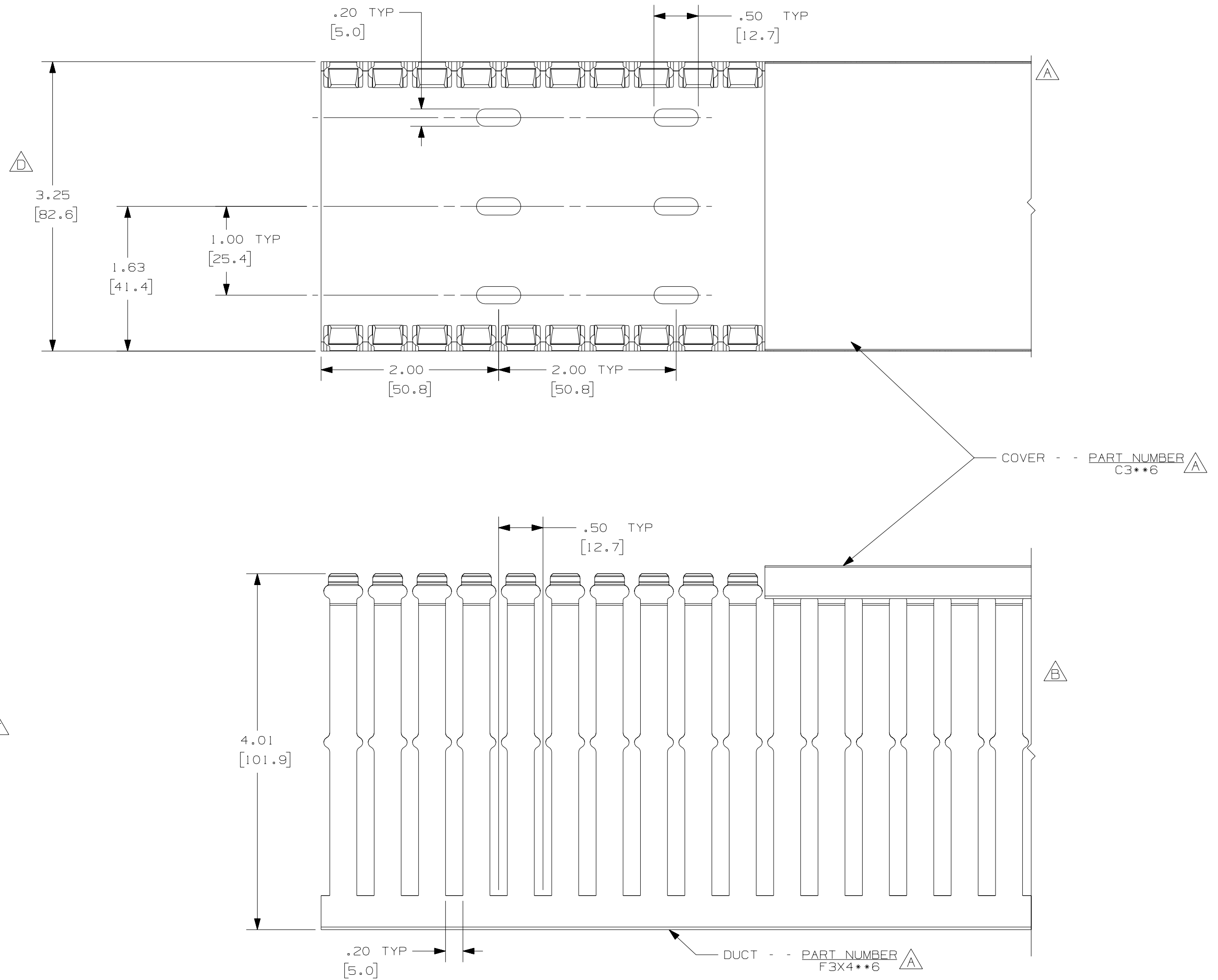


- Choose from 29 sizes of *PANDUIT* Type F Wiring Duct from 0.5" x 0.5" up to 4.0" x 5.0". Used for general purpose control panel wiring in communication closets. Ideal for use with high-density terminal blocks. The non-slip cover conceals all wiring and is easy to install. The duct and cover form a flush sidewall providing increased capacity and improved aesthetics.
- **Specifications**
 - Made of lead-free PVC
 - UL Recognized continuous use temperature: 50°C (122°F)
 - UL94 Flammability Rating of V-0
 - Conforms with NFPA 79-2002 section 14.3.1 requirement for flame retardant material
 - Available in Light Gray and White
 - Provided with mounting holes
- **Features and Benefits**
 - Narrow finger/slot design allows further fanning of wires for neater wire management in high-density control panels
 - *PANDUIT* exclusive rounded edges protects hands and wiring/cabling from abrasion
 - Non-slip cover stays in place during shipment, vibration and when in a vertical orientation, eliminating rework
 - Flush cover design holds 10-12% more wires than traditional duct designs
 - Double scoreline allows quick modification for larger cabling bundles saving installation time leading to a lower installed cost
 - Specially formulated lead-free material eliminates health concerns associated with PVC that contains lead
 - Double restricted slot design retains wire in slot for fast, easy wire installation or removal
- Base and cover sold separately.

■ Part Number	F3X4LG6
■ RoHS Compliancy Status	Compliant
■ Part Description	Narrow finger, slotted wiring duct.
■ Material	Lead-Free PVC
■ Color	Light Gray
■ CSA Certified	Yes
■ UL Recognized (File No. E147128)	Yes
■ Length (ft.)	6
■ CE Marking	Yes
■ Duct Size W x H (In.)	3.25 x 4.10
■ Duct Size W x H (mm)	82.6 x 104.1
■ Mounting Method	Standard Mounting Holes
■ Pricing Description	Slotted Duct,PVC,3"X4"X6',LGray
■ Slot Width (In.)	.20

▪ Slot Width (mm)	5.0
▪ Cover Part Number	C3LG6
▪ Min. Order UOM	FT
▪ Min. Order Qty.	6
▪ BOM Qty. (# of Pkgs.)	

THIS COPY IS PROVIDED ON A RESTRICTED BASIS AND IS NOT TO BE USED IN ANY WAY DETRIMENTAL TO THE INTERESTS OF PANDUIT CORP.



NOTES:

1. ALL DIMENSIONS ARE REFERENCE ONLY.
2. DIMENSIONS IN PARENTHESIS ARE METRIC.
3. THE ** DENOTE COLOR.
4. DUCT AND COVER ARE AVAILABLE IN 6 FT [1828.8] LENGTH.

REV	DATE	BY	CHK	DESCRIPTION
2	7-23-07	JCSTMKE		G. ADDED LENGTH NOTE F. CORRECTED DIMENSION E. DELETED DIMENSION D. ADDED DIMENSION
1	9-9-04	JCSTMKE		C. CHANGED DRAWING SIZE B. CHANGED VIEW A. ADDED TOP VIEW, NOTES, AND LABELS
R	3-20-03	JCST	JGG	DRAWING RELEASED

CAD FILENAME/LAYERS		D11000CQ_DC/00C	
PANDUIT CORP. TINLEY PARK, ILLINOIS			
WIRING DUCT - TYPE F DUCT WITH COVER 3X4 MARKETING DRAWING			
DRWN BY	JCST	MAT'L:	PVC
DATE	3-20-03	SCALE	FULL
CHECKED BY	JGG	DRAWING NO.	36897-779
		DWG	C
		SIZE	

