



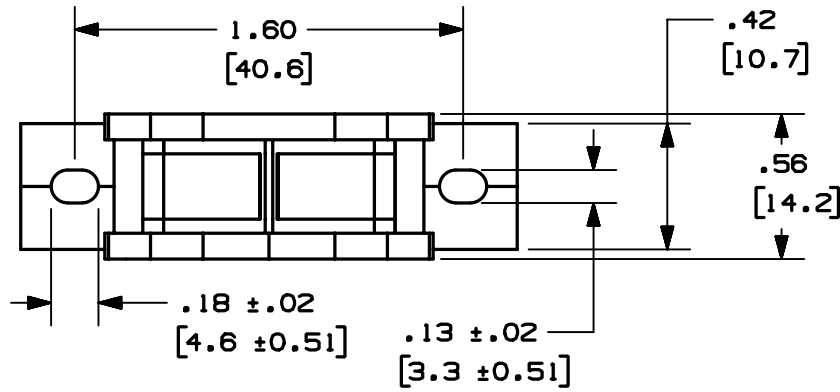
ER.5-E4-X



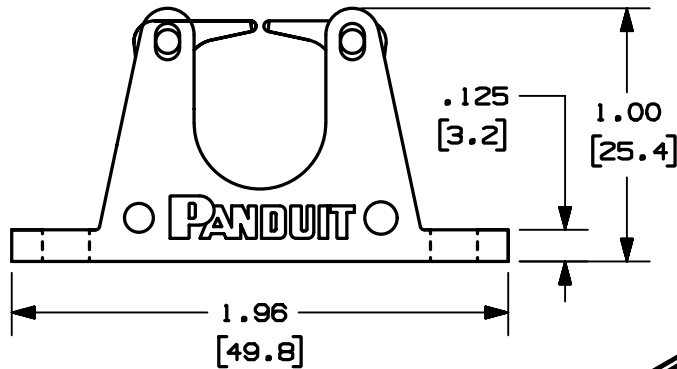
- ER Type retainers form wire bundles as wires are inserted. Completed bundles then snap out. Two sizes available for 1/2" (12.7mm) and 1 1/4" (31.7mm).

▪ Part Number	ER.5-E4-X
▪ RoHS Compliancy Status	RoHS directive is not applicable
▪ Part Description	Harness Board Elastic Bundle Retainer
▪ Product Type	Harness Board Accessories
▪ Material	Nylon 6.6
▪ Color	Black
▪ Height (In.)	1.00
▪ Height (mm)	25.4
▪ Length (In.)	1.96
▪ Length (mm)	49.8
▪ Width (In.)	.56
▪ Width (mm)	14.2
▪ Arm Material	ABS
▪ Base Color	Black
▪ Base Material	Nylon
▪ Environment	Indoors
▪ Max. Bundle Diameter (In.)	.50
▪ Max. Bundle Diameter (mm)	12.7
▪ Mounting Method	Two #6 (M3) Screws
▪ Pricing Description	Elastic Retainer, .50" (12.7mm) Bundle, #4 Screw
▪ Screw Size	#4 (M2.5)
▪ Screw Size Metric	M2.5
▪ Min. Order UOM	PC
▪ Min. Order Qty.	10
▪ BOM Qty. (# of Pkgs.)	

THIS COPY IS PROVIDED ON A RESTRICTED BASIS AND IS NOT TO BE USED IN ANY WAY DETRIMENTAL TO THE INTERESTS OF PANDUIT CORP.

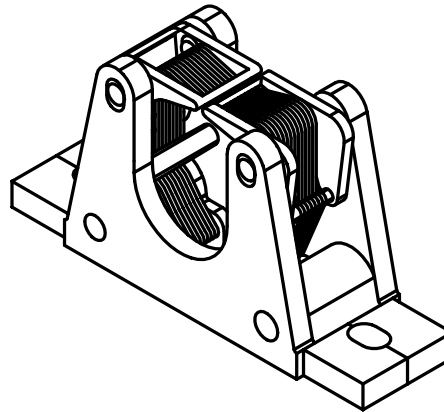


PANDUIT PART NO. *	RECOMMENDED FASTENER	WEIGHT lbs / 100 (g) / pcs
ER.5-E4-_-	#4 SCREW	1.1 (498.95)



NOTES:

- *1. SEE CURRENT PRICE SHEET FOR PART NUMBER SUFFIX DESIGNATION FOR PACKAGE SIZE.
2. ELASTIC RETAINER AUTOMATICALLY FORMS ROUND BUNDLES OF WIRE AS THEY ARE INSERTED.
3. CAPACITY- THIS BUNDLE RETAINER WILL ACCEPT (A) A 1/2" DIAMETER OF INDIVIDUALLY PLACED WIRES or (B) AN APPROXIMATE 11/32 DIAMETER HARNESSED BUNDLE OR OTHER SOLID OBJECT.



DIMENSIONS IN BRACKETS ARE METRIC [mm]	
CAD FILENAME/LAYERS G002391M_PB_ER.5E4_00	
PANDUIT CORP. TINLEY PARK, ILLINOIS	
ELASTIC RETAINER (ER.5-E4-_-)	
UNLESS OTHERWISE SPECIFIED, DIMENSIONAL TOLERANCES ARE: (.X) ±0.05 (1.3) (.XXX) ±0.010 (0.25) (.XX) ±0.02 (0.5) ANGLES ± 5°	UNLESS OTHERWISE SPECIFIED, ALL DIMENSIONS ARE GIVEN IN INCHES, THIRD ANGLE PROJECTION.
DRAWN BY JAD	MAT'L: PLASTIC FRAME ELASTIC FABRIC BAND
DATE 9/23/03	SCALE NONE
CHK'D	DRAWING NO. G002391M
	DWG SIZE A

REV	DATE	BY	CHK	DESCRIPTION	ECN	R	CUST	SUP
R	9/23/03	JAD		INITIAL RELEASE, REPLACES SS2258	G002391M	R		