

Current refinements (click  to remove)

[Search Tips](#) 
 [Region](#) **USA** [Product Family](#) **Male Disconnect, Vinyl Barrel Insulated – Funnel Entry** [Text Search](#): 'DV10-250M-L'

Your search criteria matched only one product, shown below.

- Male tab couples with (all .250 x .032) female disconnects
- Insulation support helps to prevent wire damage in bending applications
- Male tab can be inserted and removed from the female disconnect without the use of tools for lower installed cost
- UL and CSA rated up to 600 V per UL 310



Part Number:	DV10-250M-L
RoHS Compliancy Status:	Compliant
Part Description:	Male Disconnect, vinyl barrel insulated, funnel entry, 12 – 10 AWG, .250 x .032 tab.
Product Type:	Disconnects
CSA Certified:	No
Length (In.):	.98
Max. Ins.:	.235
Panduit Color Code:	Yellow
Tab Size (In.):	.250 x .032
Tool:	CT-1550, CT-1551, CT-2500
Wire Range:	12 – 10 AWG
Min. Order UOM:	PC
Min. Order Qty.:	50
BOM Qty. (# of Pkgs.)	
Add to My Catalog	

 Please [register](#) to utilize the 'Bill of Materials', 'Submit Quotes' and 'My Catalog' features.

[View Content Details](#)

Evaluate

Design a Solution

Install & Maintain

Part Drawings:

 [Male Disconnect, Vinyl Barrel Insulate...](#)

Design a Solution

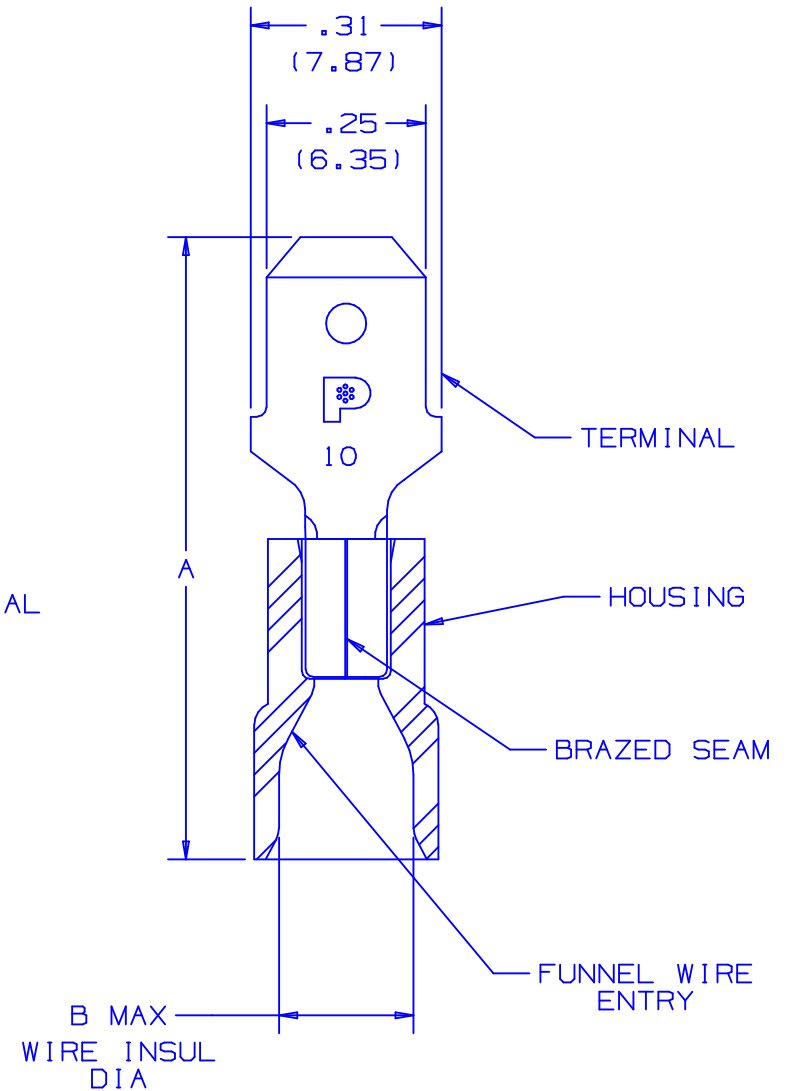
Part Drawings:

 [Male Disconnect, Vinyl Barrel Insulated - Funnel Entry pdf](#)

PANDUIT PART NUMBER	WIRE RANGE	COLOR CODE	DIMENSIONS in.	
			A $\pm .03$	B
DV10-250M	12-10	YELLOW	0.98 (24.9)	.235 (5.97)

NOTES :

- USE FOR:
 - A. STRANDED COPPER WIRE ONLY
 - B. 194°F (90°C) MAX TEMP RATING OF INSULATION MATERIAL
 - C. 600V MAX VOLTAGE RATING
- MATERIAL :
 - A. STAMPING - .032" THK COPPER, NICKEL PLATED
 - B. HOUSING - VINYL
- DIMENSIONS IN BRACKETS ARE IN MILLIMETERS
- INSTALLATION TOOLS : CT-100, CT-260, CT-550
- PKG QTY. -L=50
-D=500
- WIRE STRIP LENGTH: $9/32^{+1/32}_{-0}$ (7.1 $^{+.8}_{-0}$)



A41195_05

05	11/04	KLFU		ADDED #10			
04	1/01	KMDSKB		CAD FILE SPEC. WAS N41195AA_PCD_03	8938	JAC	CCH
03	10/98	JD		MATERIAL WAS TIN PLATED	07642		
02	6/95	MS	LM	UPDATED NOTES AND DIMENSIONS	03404	LA	DH
REV	DATE	BY	CHK	DESCRIPTION	ECN#	CUST	END



TINLEY PARK, ILLINOIS

2PC. VINYL INSULATED,
12-10, 250 X .032 MALE TAB

DRAWN BY	CHK'D	SCALE	DRAWING NO.
FES		NONE	A41195