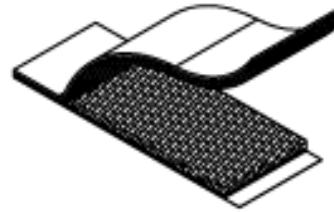


See "Part Drawing" for Details



TYPICAL RELEASE
TAB LOCATION



DOUBLE SIDED
ADHESIVE TAPE

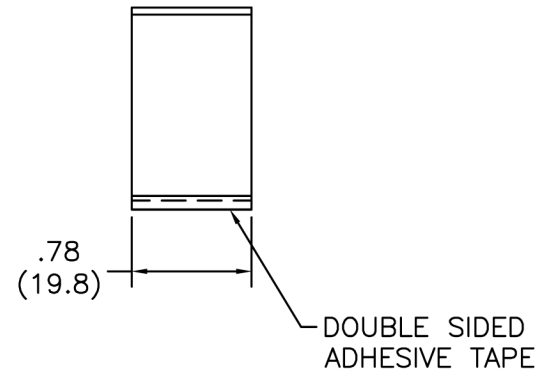
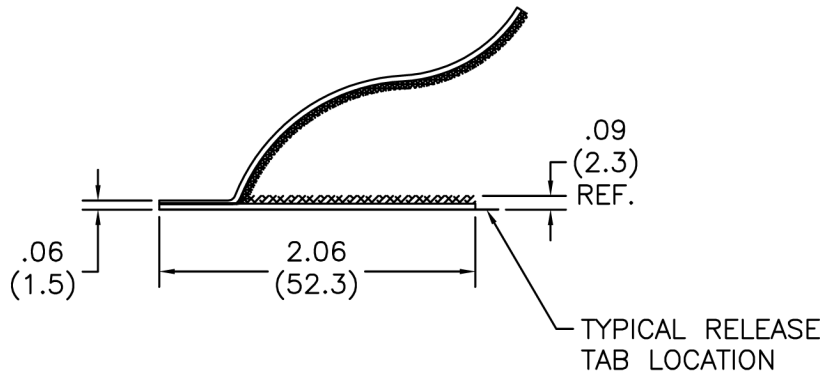
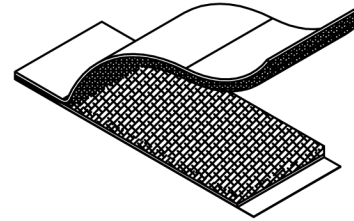
Part Number

[RKWFA-16-300](#)

Description

Clamp,Hook&Loop,Adh Mnt,Black





NOTES:

1. HOOK MATERIAL: LOW DENSITY POLYETHYLENE (RMS-249)
2. LOOP MATERIAL: NYLON KNIT (RMS-251)
3. COLOR: BLACK
4. LENGTH OF STRAP: 2.50
5. MAXIMUM RECOMMENDED HOLDING DIAMETER: .750
6. ACRYLIC ADHESIVE TAPE (RMS-113).

TITLE: RICHCO KWIK WRAP-ADHESIVE FLAT WIRING			DWG IN IN(MM)		FINAL			
C	SEE CO 200067	SK 11.20.07	TOLERANCES UNLESS NOTED	FILE # RKWFA-16-300	DWN: S.M.	APP:	PART #	
B	REMOVED "SEE NOTE 3" & CORRECTED TYPO	SM 12.10.01	.XX=±.020	MAT'L: SEE NOTES	DT: 05/22/01	DT:	RKWFA-16-300	
A	ADDED NOTE 5, PN WAS RKWFA, NEW DWG LAYOUT	RG06/14/01	.XXX=±.015	RE: RICHCO, INC.	RICHCO INC.		PRINT TYPE	
REV	DESCRIPTION	ENGR DATE	FRAC=±1/32					CA
			ANG=±1°					