

Current refinements (click to remove)

[Search Tips](#)
 Region USA Product Family One-Hole, Two-Barrel Lug Text Search: 'LAM2A2/0-14-6Y'

[Joint Compounds](#)
Your search criteria matched only one product, shown below.

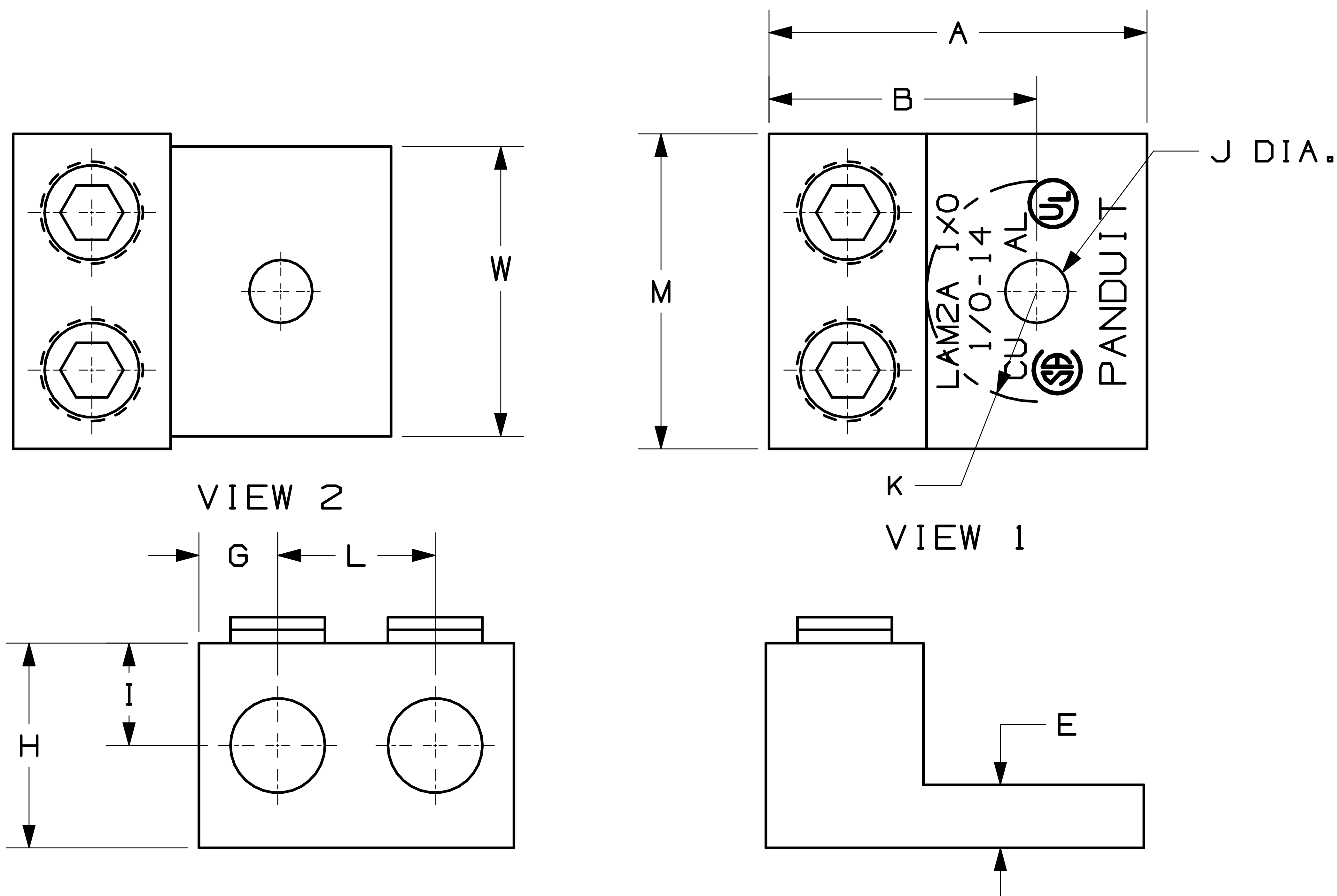

For Use with Stranded Aluminum or Copper Code Conductors

- Dual barrel provides termination of two conductors
- Made from high strength, extruded aluminum alloy to provide premium electrical and mechanical performance
- Tin-plated to inhibit corrosion
- Wide wire range-taking capability minimizes inventory requirements
- Inspection window to visually assure full conductor insertion
- Plated steel or aluminum set screw provides high strength, durable electrical contact between conductor and connector
- UL Listed and CSA Certified for use up to 600 V and UL temperature rated 90°C
- Available with NEMA hole sizes and spacing

Part Number:	LAM2A2/0-14-6Y
RoHS Compliancy Status:	Compliant
Note:	LAM2A2/0-14-6Y replaces LAM2A2/0-14-6
Part Description:	Aluminum, dual barrel, one-hole tongue connector type LAM2A.
Product Type:	Mechanical Connectors - Lugs
CSA Certified:	No
UL Listed:	Yes
Height (In.):	.81
Height (mm):	20.6
Length (In.):	1.47
Length (mm):	37.3
Stud Hole Size (In.):	1/4
Tongue Width (In.):	1.20
Aluminum or Copper Conductor Size Range:	#14 AWG – 2/0 AWG
Collar Length:	1.20
Tightening Torque (In-Lbs):	50*
Tongue Length:	.85
Tongue Thickness:	.19
Tongue Width (mm):	30.5
Min. Order UOM:	PC
Min. Order Qty.:	1

BOM Qty. (# of Pkgs.)

Add to My Catalog



NOTES:

1. UL LISTED AND C.S.A. CERTIFIED, RATED TO 90°C. EXCEPTIONS INDICATED BY *, **.
2. FOR COPPER AND ALUMINUM STRANDED WIRE.
3. IF HEX KEY IS NOT GIVEN, FLAT HEAD SCREW IS USED.
4. CONNECTOR BODY MATERIAL: 6061-T6 ALUMINUM TIN PLATED.
SCREW MATERIAL: 2011-T3 TIN PLATED.
5. USE OF PANDUIT CMP JOINT COMPOUND RECOMMENDED TO PREVENT OXIDATION OF CONNECTORS.
6. THIS PART IS ROHS COMPLIANT.



CERTIFIED
LR31212



LISTED
509D
E52164

PART NUMBER	VIEW	A	B	M	W	E	G	L	H	I	J	WIRE STRIP LENGTH	APPLICABLE WIRE RANGE	HEX KEY	K MAX.
**LAM2A2/0-14-6Y	1	1.47	1.03	1.20	1.20	.19	.29	.63	.81	.44	.28	.62	2/0-14	NA	.41
LAM2A250-38-6Y	1	2.56	1.94	1.62	1.50	.25	.39	.85	1.19	.67	.41	1.00	250kcmil-6	3/8	.94
LAM2A350-12-6Y	1	2.88	2.31	1.94	1.75	.25	.47	1.00	1.25	.70	.53	1.12	350kcmil-6	1/2	1.19
LAM2A600-12-6Y	1	3.13	2.50	2.38	2.00	.44	.58	1.23	1.56	.89	.53	1.38	600kcmil-4	1/2	1.12
LAM2A800-58-6Y	1	3.50	2.81	2.81	2.81	.50	.67	1.47	1.69	.91	.66	1.50	800-350kcmil	7/16	1.31
*LAM2A1000-58-6Y	1	3.50	2.81	2.87	2.87	.50	.67	1.47	1.69	.91	.66	1.50	1000-500kcmil	3/8	1.31

** NO C.S.A.
* NO UL OR C.S.A

C41557_01



CORP.

TINLEY PARK, ILLINOIS

REV	DATE	BY	CHK	DESCRIPTION	ECN #	CUST	PM
01	3/06	JHNU	LEM	REVISED ROHS NOTE	PC00334		
00	2/06	JHNU	LEM	DRAWING RELEASED - ROHS COMPLIANT	PC00299		

LAM2A SERIES ALUMINUM MECH. LUG

DRAWN BY	CHK'D	SCALE	DRAWING NO.
JHNU		N/A	C41557