

Current refinements (click to remove)

[Search Tips](#) 
 [Region](#) **USA** [Product Family](#) **Female Disconnect, Nylon Fully Insulated – Funnel Entry** [Text Search:](#) 'DNF18-110FIB-C'

Your search criteria matched only one product, shown below.
[DiscoGrip™ Male Discon...](#)

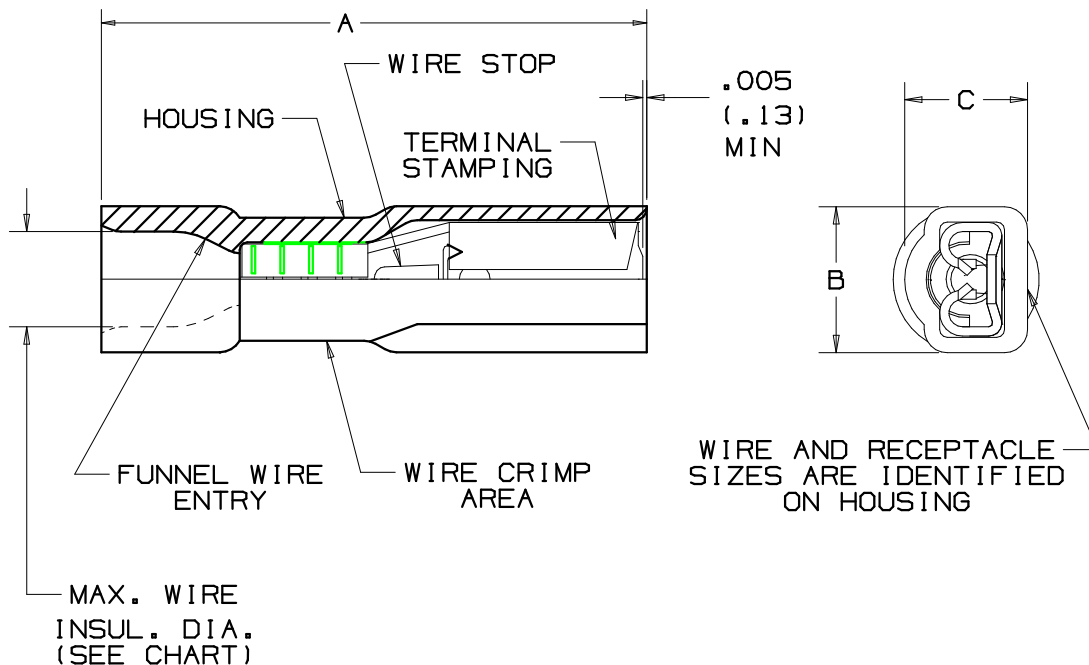

- Disconnect can be inserted and removed from the male tab without the use of tools for lower installed cost
- Premium nylon insulation retains its shape when crimped and provides a tight grip around the wire insulation for maximum strain relief
- Fully insulated design provides protection from electrical shorts
- Internal wire stop assures proper length of insertion into terminal barrel, providing a higher quality connection
- Disconnects available in common industry tab sizes
- UL and CSA rated up to 600 V per UL 310

Part Number:	DNF18-110FIB-C
RoHS Compliancy Status:	Compliant
Part Description:	Female disconnect, nylon fully insulated, funnel entry, 22 – 18 AWG, .110 X .032 tab size.
Product Type:	Disconnects
CSA Certified:	Yes
UL Listed:	Yes
Height (In.):	.16
Length (In.):	.71
Width (In.):	.19
Max. Ins.:	.120
Panduit Color Code:	Red
Tab Size (In.):	.110 x .032
Tool:	CT-100A, CT-600-A, CT-1525‡, CT-2500‡
Wire Range:	22 – 18 AWG
Min. Order UOM:	PC
Min. Order Qty.:	100
BOM Qty. (# of Pkgs.)	

[Add to My Catalog](#)

 Please [register](#) to utilize the 'Bill of Materials', 'Submit Quotes' and 'My Catalog' features.

THIS COPY IS PROVIDED ON A RESTRICTED BASIS AND IS NOT TO BE USED IN ANY WAY DETRIMENTAL TO THE INTERESTS OF PANDUIT CORP.



NOTES:

1. UL LISTED AND CSA CERTIFIED FOR:
 - A. 600V MAX VOLTAGE RATING
 - B. 257°F (125°C) MAX TEMP RATING (UL)
221°F (105°C) MAX TEMP RATING (CSA)
 - C. STRANDED COPPER WIRE ONLY
2. 6-12 LBS INITIAL INSERTION/WITHDRAWAL FORCE
3. PACKAGE QTY: -M=1000 PIECES, -C=100 PIECES
4. MATERIAL:
 - A. STAMPING: TIN PLATED BRASS
 - B. HOUSING: TYPE 6/6 NYLON
5. DIMENSIONS IN BRACKETS ARE IN mm OR mm²
6. NYLON HOUSING IS TRANSLUCENT
7. INSTALLATION TOOLS:
 - A. UL & CSA APPROVED: CT-520, CT-1525
(UTILIZE CT-1525 CRIMP POCKET "A")
 - B. PANDUIT APPROVED: CT-100
8. WIRE STRIP LENGTH 9/32 ^{+1/32}₋₀ (7.1 ⁺⁸₋₀)

WIRE AND RECEPTACLE SIZES ARE IDENTIFIED ON HOUSING

PART NUMBER		TAB SIZE	WIRE RANGE AWG (MM ²)	HOUSING COLOR (NOTE 6)	MAX. INSUL. DIA.	DIMENSIONS in.		
PREFIX	PK					A ^{±.03} _(.8)	B ^{±.015} _(.4)	C ^{±.015} _(.4)
DNF18-110F1B	-C -M	.110 X .032 (2,8 X 0,8)	22-18 (0,38-1,0)	RED	.12 (3,0)	.71 (18,0)	.19 (4,8)	.16 (4,1)
DNF18-111F1B	-C -M	.110 X .020 (2,8 X 0,5)	22-18 (0,38-1,0)	RED	.12 (3,0)	.71 (18,0)	.19 (4,8)	.16 (4,1)



A41544_04

04	2/07	DAW	DAW	ADDED POCKET "A" NOTE TO CT-1525	TR00220	LCA	TRO	TINLEY PARK, ILLINOIS LOOSE PIECE, NYLON, FULLY INSULATED FEMALE DISCONNECTS .110 X .032, .110 X .020 TAB SIZES
03	7/03	KLFU	SKB	UPDATED DRAWING	12453	SKB	TRO	
02	5/98	TM	JW	ADDED CT-1525 TO TOOL NOTES	06872	LA	DBH	
01	10/94	TH	RLS	UPDATED NOTES AND DIMENSIONS	02550	LA	KS	
REV	DATE	BY	CHK	DESCRIPTION	ECN#	CUST	PM	DRAWN BY: BDK CHK'D: RLS SCALE: NONE DRAWING NO./CAD FILENAME: 41544A