



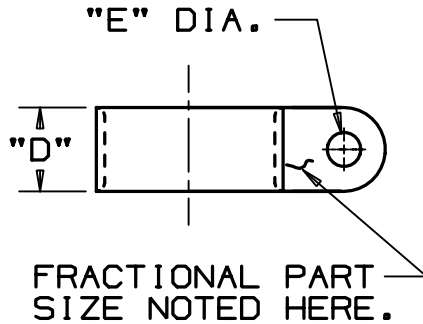
CCH38-S10-C

- Durable nylon cable clamps

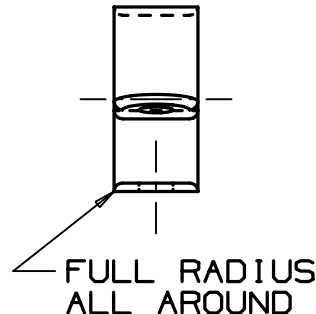
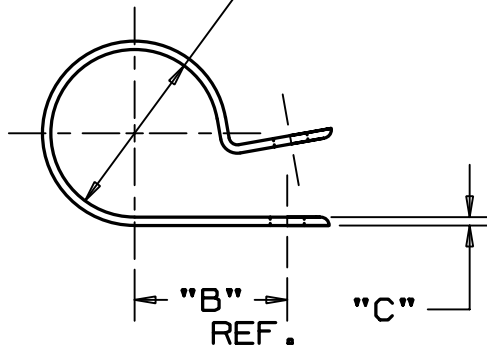


■ Part Number	CCH38-S10-C
■ RoHS Compliancy Status	Compliant
■ Part Description	Heavy Duty Fixed Diameter Cable Clamp
■ Product Type	Mounting Device
■ Material	Nylon 6.6
■ Color	Natural
■ UL Recognized	E136577
■ Diameter (In.)	.20
■ Diameter (mm)	5.1
■ Width (In.)	.50
■ Width (mm)	12.7
■ Bundle Offset (mm)	13.5
■ Bundle Offset (In.)	.53
■ Environment	Indoors
■ Flammability Rating	UL94 V-2
■ Hole Diameter (In.)	.20
■ Hole Diameter (mm)	5.1
■ Max. Bundle Diameter (In.)	.38
■ Max. Bundle Diameter (mm)	9.5
■ Mounting Method	#10 (M5) Screw
■ Pricing Description	Fixed Dia Clamp, .38" (9.7mm) Bundle, #10 Screw (M5), WH
■ Screw Size	#10 (M5)
■ Screw Size Metric	M5
■ Type Of Application	Heavy Duty
■ Min. Order UOM	PC
■ Min. Order Qty.	100

THIS COPY IS PROVIDED ON A RESTRICTED BASIS AND IS NOT TO BE USED IN ANY WAY DETRIMENTAL TO THE INTERESTS OF PANDUIT CORP.



"A" DIA. WHEN CLOSED



PANDUIT PART NUMBER	"A" in/(mm)	"B" REF. in/(mm)	"C" in/(mm)	"D" in/(mm)	"E" in/(mm)	WEIGHT lbs (g)/ 100 pcs
CCH12-S10	0.12 (3.1)	0.36 (9.1)	0.050 (1.3)	0.50 (12.7)	0.203 (5.1)	0.12 (52.5)
CCH19-S10	0.19 (4.8)	0.42 (10.7)	0.050 (1.3)	0.50 (12.7)	0.203 (5.1)	0.15 (67.2)
CCH25-S10	0.25 (6.3)	0.46 (11.7)	0.050 (1.3)	0.50 (12.7)	0.203 (5.1)	0.16 (74.0)
CCH31-S10	0.31 (7.9)	0.50 (12.7)	0.050 (1.3)	0.50 (12.7)	0.203 (5.1)	0.18 (83.7)
CCH38-S10	0.38 (9.5)	0.53 (13.5)	0.050 (1.3)	0.50 (12.7)	0.203 (5.1)	0.23 (105.8)
CCH44-S10	0.44 (11.1)	0.56 (14.2)	0.050 (1.3)	0.50 (12.7)	0.203 (5.1)	0.22 (99.4)
CCH50-S10	0.50 (12.7)	0.59 (15.0)	0.050 (1.3)	0.50 (12.7)	0.203 (5.1)	0.24 (109.1)
CCH56-S10	0.56 (14.2)	0.61 (15.5)	0.050 (1.3)	0.50 (12.7)	0.203 (5.1)	0.25 (114.8)
CCH62-S10	0.62 (15.7)	0.65 (16.5)	0.050 (1.3)	0.50 (12.7)	0.203 (5.1)	0.29 (131.1)
CCH69-S10	0.69 (17.5)	0.75 (19.1)	0.050 (1.3)	0.50 (12.7)	0.203 (5.1)	0.33 (150.3)
CCH75-S10	0.75 (19.1)	0.78 (19.8)	0.050 (1.3)	0.50 (12.7)	0.203 (5.1)	0.33 (149.3)
CCH81-S10	0.81 (20.6)	0.81 (20.6)	0.050 (1.3)	0.50 (12.7)	0.203 (5.1)	0.34 (156.4)
CCH87-S10	0.87 (22.1)	0.84 (21.3)	0.050 (1.3)	0.50 (12.7)	0.203 (5.1)	0.35 (160.9)
CCH100-S10	1.00 (25.4)	0.91 (23.1)	0.050 (1.3)	0.50 (12.7)	0.203 (5.1)	0.46 (209.7)
CCH112-S10	1.12 (28.4)	0.97 (24.6)	0.050 (1.3)	0.50 (12.7)	0.203 (5.1)	0.53 (239.2)
CCH119-S10	1.19 (30.2)	1.00 (25.4)	0.050 (1.3)	0.50 (12.7)	0.203 (5.1)	0.57 (259.3)
CCH125-S10	1.25 (31.8)	1.06 (26.9)	0.050 (1.3)	0.50 (12.7)	0.203 (5.1)	0.58 (260.8)
CCH138-S10	1.37 (34.8)	1.12 (28.4)	0.050 (1.3)	0.50 (12.7)	0.203 (5.1)	0.64 (288.9)
CCH150-S10	1.50 (38.1)	1.19 (30.2)	0.050 (1.3)	0.50 (12.7)	0.203 (5.1)	0.69 (310.9)

NOTES:

- SEE CURRENT PRICE SHEET FOR PART NUMBER SUFFIX DESIGNATION FOR PACKAGE SIZE AND PART COLOR.

(DIMENSIONS IN PARENTHESES ARE IN METRIC.)

CAD FILENAME/LAYER

G00239DW_PI_CCH_01

PANDUIT

CORP.

TINLEY PARK, ILLINOIS

CCH - CABLE CLAMP

UNLESS OTHERWISE SPECIFIED, DIMENSIONAL TOLERANCES ARE:
 (.X) ±0.1(2.5) (.XX) ±0.015(.4)
 (.XX) ±0.05(1.3) ANGLES ± 5°

UNLESS OTHERWISE SPECIFIED, ALL DIMENSIONS ARE GIVEN IN INCHES, THIRD ANGLE PROJECTION.

REV	DATE	BY	CHK	DESCRIPTION	ECN	R	CUST	SUP	DRWN BY	DATE	MAT'L	SCALE	DWG NO.	DWG SIZE
I	3/28/04	JAD		ADD WEIGHT COLUMN	G80239DW				CJG	6/28/96	NYLON 6/6	NONE	G80239DW	A
R	8/28/98	CJG		INITIAL RELEASE	G80239DW	1								
REV	DATE	BY	CHK	DESCRIPTION	ECN	R	CUST	SUP	DRWN BY	DATE	MAT'L	SCALE	DWG NO.	DWG SIZE