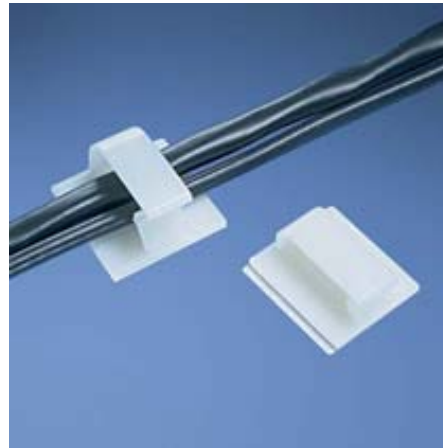




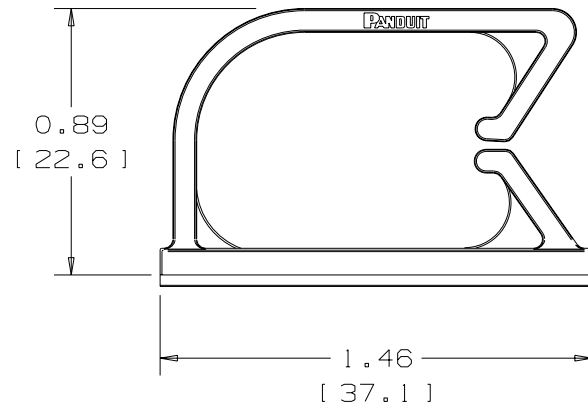
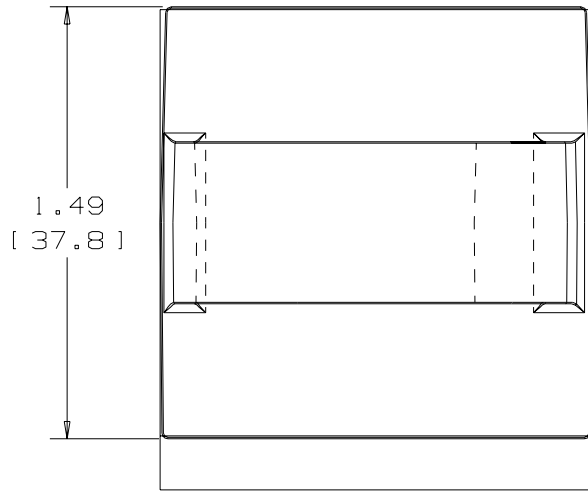
## BEC75-A-L



- Beveled entry allows for easy insertion of cable bundle
- Rubber-based adhesive provides a strong and reliable bond
- Acrylic-based adhesive withstands higher temperatures and outdoor environment

■ Part Number	BEC75-A-L
■ RoHS Compliancy Status	Compliant
■ Part Description	Adhesive Backed Bevel Entry Clip
■ Product Type	Mounting Device
■ Material	Nylon 6.6
■ Color	Natural
■ UL Recognized	E136577
■ Height (In.)	.89
■ Height (mm)	22.6
■ Length (In.)	1.46
■ Length (mm)	37.1
■ Width (In.)	1.49
■ Width (mm)	37.8
■ Adhesive Type	Rubber
■ Environment	Indoors
■ Hole Diameter (In.)	Em Dash
■ Hole Diameter (mm)	Em Dash
■ Max. Bundle Diameter (In.)	.75
■ Max. Bundle Diameter (mm)	19.0
■ Mounting Method	Rubber
■ Pricing Description	Bevel Entry Cord Clip, Adh., .75" (19.1mm) Bundle, NAT
■ Min. Order UOM	PC
■ Min. Order Qty.	50
■ BOM Qty. (# of Pkgs.)	

THIS COPY IS PROVIDED ON A RESTRICTED BASIS AND IS NOT TO BE USED IN ANY WAY DETRIMENTAL TO THE INTERESTS OF PANDUIT CORP.

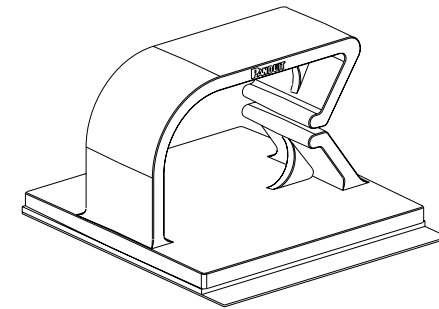


PANDUIT PART NO. *	WEIGHT LBS / 100 [ G ] / PCS.
BEC75-A	1.28 [ 582 ]
BEC75-AT	1.28 [ 582 ]

NO WARRANTY, EXPRESSED OR IMPLIED, IS MADE BY PANDUIT WITH RESPECT TO ADHESIVE BOND PERFORMANCE. AMONG OTHER THINGS, THE CONDITIONS UNDER WHICH THESE MOUNTS MAY BE APPLIED AND/OR THE SURFACE TO WHICH THEY MAY BE APPLIED ARE BEYOND PANDUIT'S CONTROL.

NOTES:

1. SEE CURRENT PRICE SHEET FOR PART NUMBER SUFFIX DESIGNATION FOR PACKAGE SIZE AND PART COLOR.
2. TO APPLY MOUNT: a) REMOVE PROTECTIVE LINER; b) PLACE IN DESIRED LOCATION; c) APPLY PRESSURE TO TOP OF MOUNT.



SCALE: FULL

ADHESIVE TAPE: PRESSURE SENSITIVE FOAM 0.04 [1.0] THICK WITH RUBBER ADHESIVE AND PROTECTIVE LINER. MOUNT IS DESIGNED TO SUPPORT 1.09 lbs. [493g] MAXIMUM WEIGHT ON A CLEAN, DRY, SMOOTH, GREASE-FREE SURFACE.

DIMENSIONS IN BRACKETS ARE METRIC [ mm ]

CAD FILENAME/LAYERS G00239CH\_PB\_BEC75\_01

**PANDUIT** CORP. TINLEY PARK, ILLINOIS

BEC75 BEVEL ENTRY CLIP

UNLESS OTHERWISE SPECIFIED,  
DIMENSIONAL TOLERANCES ARE:  
(.X) ± N/A (.XXX) ± N/A  
(.XX) ± .020 (.5) ANGLES ± N/A

UNLESS OTHERWISE SPECIFIED,  
ALL DIMENSIONS ARE GIVEN  
IN INCHES, THIRD ANGLE PROJECTION.

REV	DATE	BY	CHK	DESCRIPTION	ECN	R	CUST	SUP
I	5-9-06	TMSA		UPDATED PICTORIALY	GB0239CH	I		
R	11-30-94	GDH		INITIAL RELEASE	GB0239CH	R		

DRAWN BY GDH	MAT'L: 6/6 NYLON	SCALE 1 1/2X
DATE 11-30-94		DRAWING NO. GB0239CH
CHK'D		DWG SIZE A