



## ABM3H-A-L

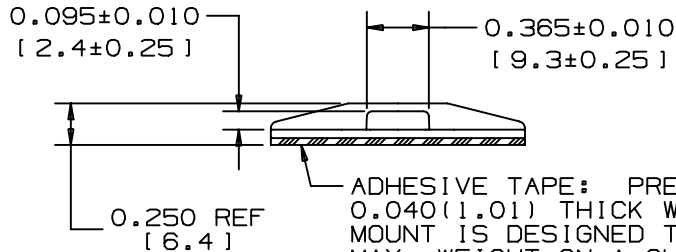
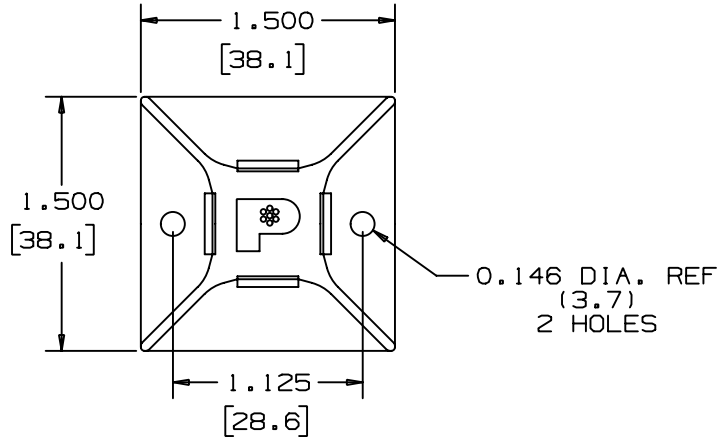


- Superior adhesive for long term reliability
- 2-up mount configuration speeds liner removal and installation
- 4-way cable tie entry makes part orientation fast and easy
- Adhesive backing allows routing of wires and cables where mounting holes cannot be drilled
- Used with PANDUIT cable ties for a complete wire routing solution
- ‡ Cable Tie Cross Section Sizes: M = Miniature, I = Intermediate, S = Standard, HS = Heavy-Standard, LH = Light-Heavy, H = Heavy, HLM = Miniature *Tak-Ty*® Hook & Loop Cable Ties.

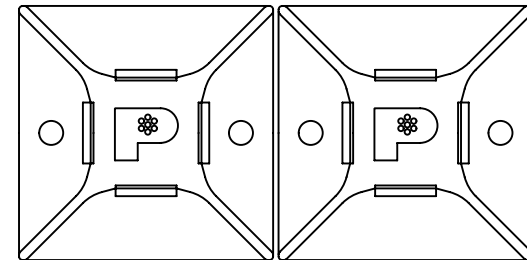
■ Part Number	ABM3H-A-L
■ RoHS Compliancy Status	Compliant
■ Part Description	4-Way Adhesive Backed Cable Tie Mount
■ Product Type	Cable Tie Mounts - Adhesive Backed
■ Material	Nylon 6.6
■ Color	White
■ UL Recognized	E136577
■ Height (In.)	.25
■ Height (mm)	6.4
■ Length (In.)	1.50
■ Length (mm)	38.1
■ Width (In.)	1.50
■ Width (mm)	38.1
■ Adhesive Type	Rubber
■ CE Compliant	CT-ACC1 / 10.96
■ Environment	Indoors
■ Max. Bundle Diameter (mm)	8.9
■ Mounting Method	Adhesive Backed
■ Pricing Description	Cable Tie Mount, Adh., 1.5"x1.5" (38.1mm x 38.1mm), WH
■ Screw Size	#6 (M3)
■ Screw Size Metric	M3
■ Used With Cable Ties	M, I, S, HS, LH, H, HLM
■ Min. Order UOM	PC
■ Min. Order Qty.	50
■ BOM Qty. (# of Pkgs.)	

THIS COPY IS PROVIDED ON A RESTRICTED BASIS AND IS NOT TO BE USED IN ANY WAY DETRIMENTAL TO THE INTERESTS OF PANDUIT CORP.

NO WARRANTY, EXPRESSED OR IMPLIED, IS MADE BY PANDUIT WITH RESPECT TO ADHESIVE BOND PERFORMANCE. AMONG OTHER THINGS, THE CONDITIONS UNDER WHICH THESE MOUNTS MAY BE APPLIED AND/OR THE SURFACE TO WHICH THEY MAY BE APPLIED ARE BEYOND PANDUIT'S CONTROL.



TO APPLY MOUNT  
 1) REMOVE PROTECTIVE LINER.  
 2) PLACE IN DESIRED LOCATION.  
 3) APPLY PRESSURE TO MOUNT.



NOTES:

- \* 1) SEE CURRENT PRICE SHEET FOR PART NUMBER SUFFIX DESIGNATIONS FOR PACKAGE SIZE.
- \*\* 2) CABLE TIE CROSS SECTION CODE: M=MINIATURE, I=INTERMEDIATE, S=STANDARD, LH=LIGHT HEAVY, H=HEAVY. MOUNT SHOULD NOT BE USED WITH M, I OR S CROSS SECTION CABLE TIES WITH LESS THAN A 2" BUNDLE DIAMETER.

PANDUIT PART NO.*	USE WITH THESE CABLE TIE ** CROSS SECTIONS	WEIGHT lbs /100 pcs. (g)
ABM3H-A (ABM40)	M, I, S, LH & H	0.61 (274)

(DIMENSIONS IN PARENTHESES ARE IN METRIC.)

CAD FILENAME/LAYERS G00239GW\_DC\_ABM3H-A\_02



CORP. TINLEY PARK, ILLINOIS

ABM3H-A  
 ADHESIVE BACKED MOUNT

UNLESS OTHERWISE SPECIFIED, DIMENSIONAL TOLERANCES ARE:  
 (.X) ± 0.1(2.5) (.XXX) ± 0.020(.5)  
 (.XX) ± 0.05(1.3) ANGLES ± 5°

UNLESS OTHERWISE SPECIFIED, ALL DIMENSIONS ARE GIVEN IN INCHES, THIRD ANGLE PROJECTION.

2	9-20-05	TMSA		REMOVED TOLERANCE FROM REF HOLE DIAMETER OF .146	GB0239GW	2			
1	11/2/04	JAD		ADD ABM40	GB0239GW	1			
R	10-20-00	CGSM		INITIAL RELEASE	GB0239GW	R			
REV	DATE	BY	CHK	DESCRIPTION	ECN	R	CUST	SUP	

DRAWN BY CGSM	MAT'L: WHITE NYLON 6/6	SCALE FULL
DATE 10-20-00		DRAWING NO. GB0239GW
CHK'D		DWG A SIZE