



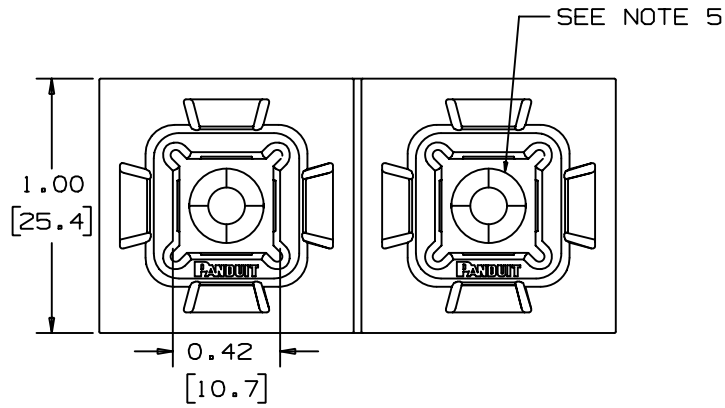
## ABM100-A-D



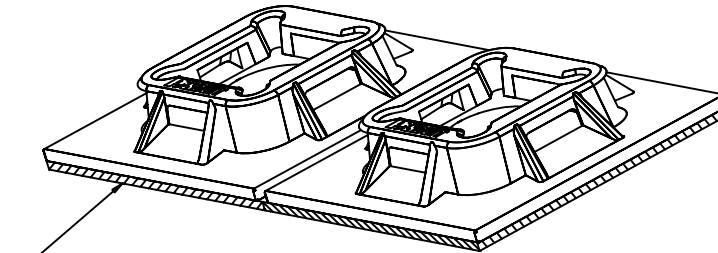
- Superior adhesive for long term reliability
- 2-up mount configuration speeds liner removal and installation
- 4-way cable tie entry makes part orientation fast and easy
- Adhesive backing allows routing of wires and cables where mounting holes cannot be drilled
- Used with PANDUIT cable ties for a complete wire routing solution
- ‡ Cable Tie Cross Section Sizes: M = Miniature, I = Intermediate, S = Standard, HS = Heavy-Standard, LH = Light-Heavy, H = Heavy, HLM = Miniature *Tak-Ty*® Hook & Loop Cable Ties.

■ Part Number	ABM100-A-D
■ RoHS Compliancy Status	Compliant
■ Part Description	4-Way Adhesive Backed Cable Tie Mount
■ Product Type	Cable Tie Mounts - Adhesive Backed
■ Material	Nylon 6.6
■ Color	White
■ UL Recognized	E136577
■ Height (In.)	.20
■ Height (mm)	5.1
■ Length (In.)	1.00
■ Length (mm)	25.4
■ Width (In.)	1.00
■ Width (mm)	25.4
■ Adhesive Type	Rubber
■ CE Compliant	CT-ACC1 / 10.96
■ Environment	Indoors
■ Max. Bundle Diameter (mm)	4.8
■ Mounting Method	Adhesive Backed
■ Pricing Description	Cable Tie Mount, Adh., 1"x1" (25.4mm x 25.4mm), WH
■ Screw Size	#6 (M3)
■ Screw Size Metric	M3
■ Used With Cable Ties	M, I, S, SGM, SGI, SGS
■ Min. Order UOM	PC
■ Min. Order Qty.	500
■ BOM Qty. (# of Pkgs.)	

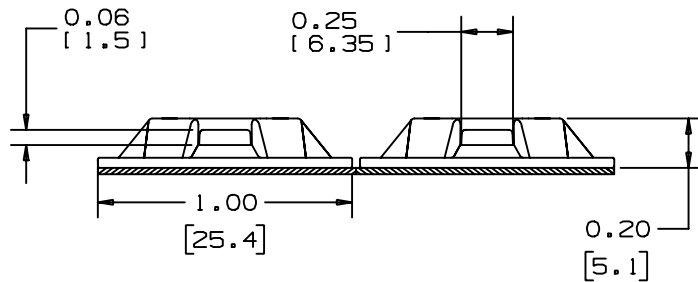
THIS COPY IS PROVIDED ON A RESTRICTED BASIS AND IS NOT TO BE USED IN ANY WAY DETRIMENTAL TO THE INTERESTS OF PANDUIT CORP.



PANDUIT PART NUMBER*	WEIGHT lbs/100 pcs (g)/100 pcs	USE WITH ANY OF THESE CABLE TIE CROSS-SECTIONS
ABM100-A	0.26 (119)	M, I, S SG200, SG250, SG300



NO WARRANTY, EXPRESSED OR IMPLIED, IS MADE BY PANDUIT WITH RESPECT TO ADHESIVE BOND PERFORMANCE. AMONG OTHER THINGS, THE CONDITIONS UNDER WHICH THESE MOUNTS MAY BE APPLIED AND/OR THE SURFACE TO WHICH THEY MAY BE APPLIED ARE BEYOND PANDUIT'S CONTROL.



ADHESIVE BACKING: RUBBER BASED ADHESIVE PRESSURE SENSITIVE FOAM TAPE 0.04 [1.0] THICK WITH A PROTECTIVE LINER. MOUNT IS DESIGNED TO SUPPORT 0.50 lbs (227g) MAX. WEIGHT ON A CLEAN DRY SMOOTH SURFACE.

NOTES

- SEE CURRENT PRICE SHEET FOR PART NUMBER SUFFIX DESIGNATION FOR PACKAGE SIZE AND COLOR.
- THE '-A' SUFFIX REPRESENTS RUBBER ADHESIVE.
- SUPPLIED IN STRIPS OF TWO.
- MOUNT HAS A MAXIMUM CONTINUOUS OPERATING TEMPERATURE OF 120°F (49°C).
- HOLE FOR STANDARD S6 FLAT HEAD SCREW.

DIMENSIONS IN BRACKETS ARE METRIC [ mm ]

CAD FILENAME/LAYERS

G00033BA\_DC\_ABM100A\_06

**PANDUIT**

CORP.

TINLEY PARK, ILLINOIS

ABM100-A  
FOUR-WAY MOUNT

UNLESS OTHERWISE SPECIFIED,  
DIMENSIONAL TOLERANCES ARE:  
(.X) ±0.05 (1.3) (.XXX) ±0.010 (0.25)  
(.XX) ±0.02 (0.5) ANGLES ± 5°

UNLESS OTHERWISE SPECIFIED,  
ALL DIMENSIONS ARE GIVEN  
IN INCHES, THIRD ANGLE PROJECTION.

DRAWN BY

MJK

MAT'L:

SCALE

NONE

DATE

12/09/92

NYLON 6/6

DRAWING NO.

GB0033BA

DRG

A  
SIZE

REV	DATE	BY	CHK	DESCRIPTION	ECN	R	CUST	SUP
6	8-24-05	TMSA		REMOVED PART NUMBER ABM25	GB0033BA	6		