

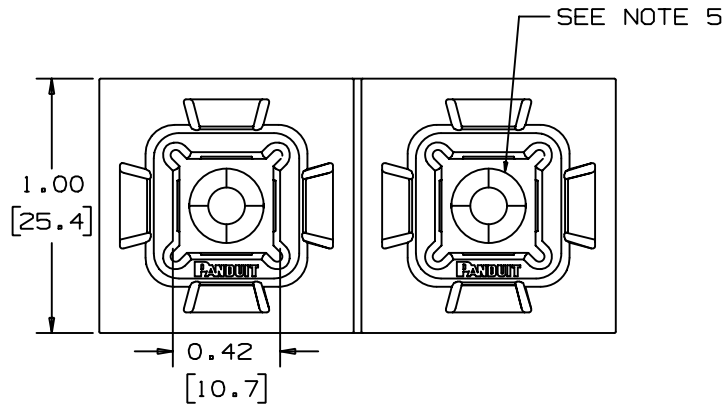
ABM100-A-C



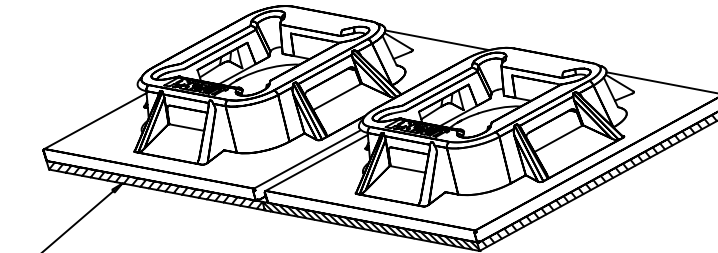
- Superior adhesive for long term reliability
- 2-up mount configuration speeds liner removal and installation
- 4-way cable tie entry makes part orientation fast and easy
- Adhesive backing allows routing of wires and cables where mounting holes cannot be drilled
- Used with PANDUIT cable ties for a complete wire routing solution
- ‡ Cable Tie Cross Section Sizes: M = Miniature, I = Intermediate, S = Standard, HS = Heavy-Standard, LH = Light-Heavy, H = Heavy, HLM = Miniature *Tak-Ty*® Hook & Loop Cable Ties.

• Part Number	ABM100-A-C
• RoHS Compliancy Status	Compliant
• Part Description	4-Way Adhesive Backed Cable Tie Mount
• Product Type	Cable Tie Mounts - Adhesive Backed
• Material	Nylon 6.6
• Color	White
• UL Recognized	E136577
• Height (In.)	.20
• Height (mm)	5.1
• Length (In.)	1.00
• Length (mm)	25.4
• Width (In.)	1.00
• Width (mm)	25.4
• Adhesive Type	Rubber
• CE Compliant	CT-ACC1 / 10.96
• Environment	Indoors
• Max. Bundle Diameter (mm)	4.8
• Mounting Method	Adhesive Backed
• Pricing Description	Cable Tie Mount, Adh., 1"x1" (25.4mm x 25.4mm), WH
• Screw Size	#6 (M3)
• Screw Size Metric	M3
• Used With Cable Ties	M, I, S
• Min. Order UOM	PC
• Min. Order Qty.	100
• BOM Qty. (# of Pkgs.)	

THIS COPY IS PROVIDED ON A RESTRICTED BASIS AND IS NOT TO BE USED IN ANY WAY DETRIMENTAL TO THE INTERESTS OF PANDUIT CORP.

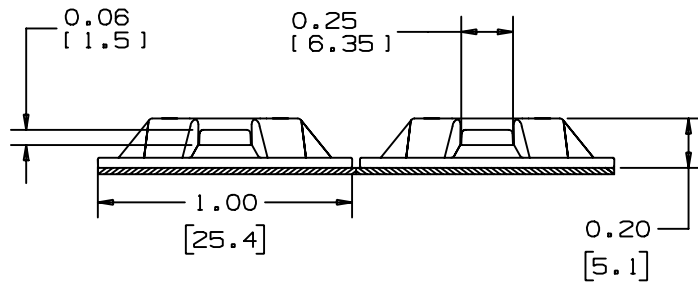


PANDUIT PART NUMBER*	WEIGHT lbs/100 pcs (g)/100 pcs	USE WITH ANY OF THESE CABLE TIE CROSS-SECTIONS
ABM100-A	0.26 (119)	M, I, S SG200, SG250, SG300



NO WARRANTY, EXPRESSED OR IMPLIED, IS MADE BY PANDUIT WITH RESPECT TO ADHESIVE BOND PERFORMANCE. AMONG OTHER THINGS, THE CONDITIONS UNDER WHICH THESE MOUNTS MAY BE APPLIED AND/OR THE SURFACE TO WHICH THEY MAY BE APPLIED ARE BEYOND PANDUIT'S CONTROL.

ADHESIVE BACKING: RUBBER BASED ADHESIVE PRESSURE SENSITIVE FOAM TAPE 0.04 [1.0] THICK WITH A PROTECTIVE LINER. MOUNT IS DESIGNED TO SUPPORT 0.50 lbs (227g) MAX. WEIGHT ON A CLEAN DRY SMOOTH SURFACE.



NOTES

- SEE CURRENT PRICE SHEET FOR PART NUMBER SUFFIX DESIGNATION FOR PACKAGE SIZE AND COLOR.
- THE '-A' SUFFIX REPRESENTS RUBBER ADHESIVE.
- SUPPLIED IN STRIPS OF TWO.
- MOUNT HAS A MAXIMUM CONTINUOUS OPERATING TEMPERATURE OF 120°F (49°C).
- HOLE FOR STANDARD S6 FLAT HEAD SCREW.

DIMENSIONS IN BRACKETS ARE METRIC [mm]

CAD FILENAME/LAYERS

G00033BA_DC_ABM100A_06

PANDUIT

CORP.

TINLEY PARK, ILLINOIS

ABM100-A
FOUR-WAY MOUNT

UNLESS OTHERWISE SPECIFIED,
DIMENSIONAL TOLERANCES ARE:
(.X) ±0.05 (1.3) (.XXX) ±0.010 (0.25)
(.XX) ±0.02 (0.5) ANGLES ± 5°

UNLESS OTHERWISE SPECIFIED,
ALL DIMENSIONS ARE GIVEN
IN INCHES, THIRD ANGLE PROJECTION.

DRAWN BY

MJK

MAT'L:

SCALE

NONE

DATE

12/09/92

NYLON 6/6

DRAWING NO.

GB0033BA

DWG

A
SIZE

REV	DATE	BY	CHK	DESCRIPTION	ECN	R	CUST	SUP
6	8-24-05	TMSA		REMOVED PART NUMBER ABM25	GB0033BA	6		