



[Custom  
Molded  
Rubber](#)



[Custom  
Colors!!](#)

[Home](#)

[About PacTec](#)

[Contact Us](#)

## Login

[Click Here to Register](#)

Username

Password

[Forget your login info?](#)

[View Cart \(0\)](#)

[Advanced Search](#)

[Connector Search](#)

## News

Sign up for our latest news and new product updates!

**Email:**



[Custom Colors!!](#)



[Free Samples of  
New Products Available!](#)



## TT



**External Dimensions: 8.5 x 3.2 x 1.1 in.**

**PCB Dimensions: 8 x 2.7 x 1.1 in.**

**Colors:** PC Bone  
Black

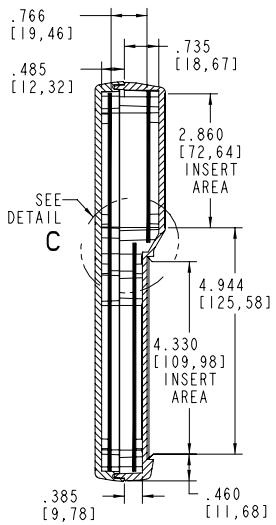
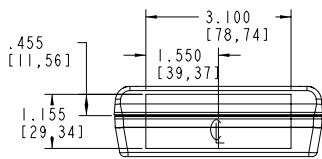
**Materials:** ABS-94HB  
[Material Specs](#)

### Components:

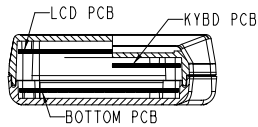
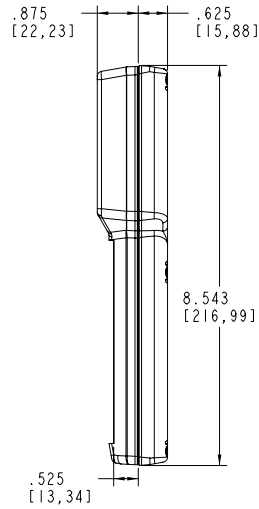
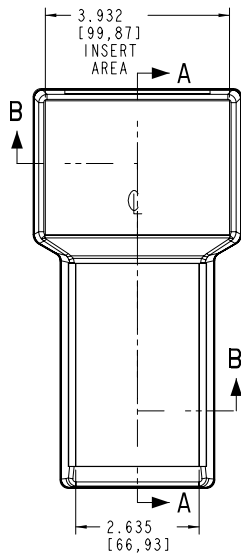
- Top and Bottom Covers
- Assembly Screws

[View Drawing](#)

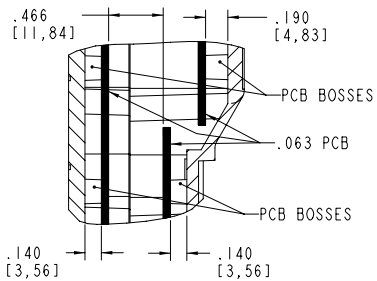




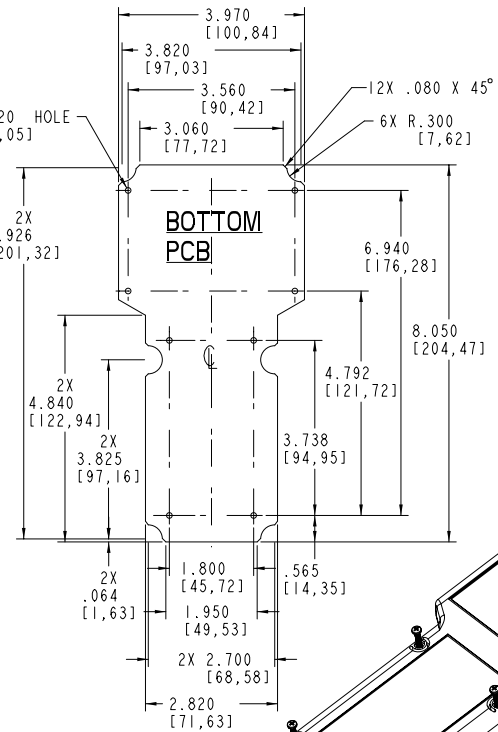
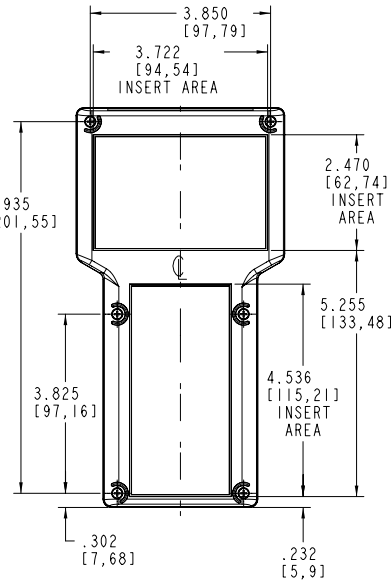
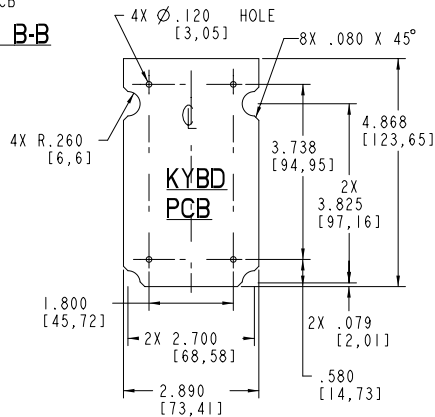
SECTION A-A



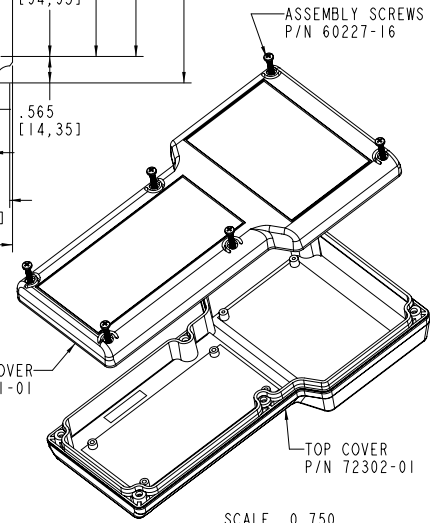
SECTION B-B



DETAIL C  
SCALE 2.000



BOTTOM PCB



**PACNTEC®**  
1-610-361-4200

**TT**

VISIT **PACNTEC®**  
ON THE WORLD WIDE WEB  
[www.pactecenclosures.com](http://www.pactecenclosures.com)

SCALE 0.750

COLOR / MATERIAL CODE	
COLOR	94HB 94VO
BLACK	000 028
P.C.BONE	039 060

DRAWING NUMBER	REV
72825	D