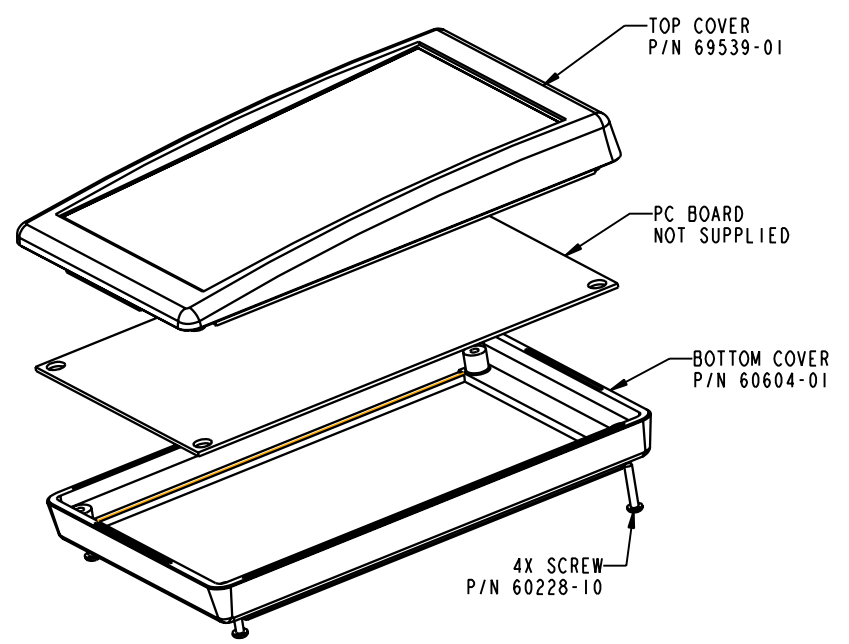
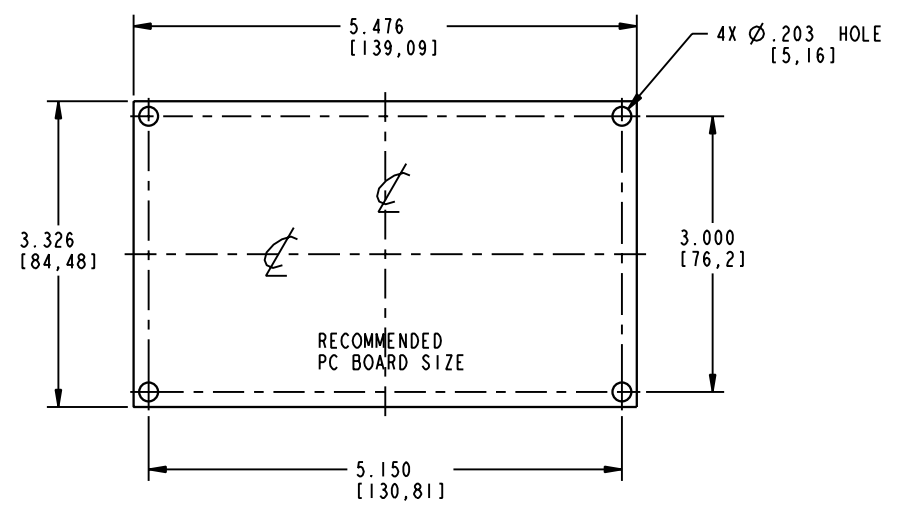


NOTE - DATUM -
 FOR CUSTOM OR MACHINING
 MODIFICATIONS USE THE
 INSERT EDGES OR BOSS
 CENTER

① EXTERIOR INSERT AREA, FOR
 IN MOLD MODIFICATION

② INTERIOR INSERT AREA, FOR
 IN MOLD MODIFICATION



PACNTEC[®]
 1-610-361-4200

SH

VISIT **PACNTEC**[®]
 ON THE WORLD WIDE WEB
www.pactecenclosures.com

COLOR / MATERIAL CODE		
COLOR	94HB	94VO
BLACK	000	028
P. C. BONE	039	060

DRAWING NUMBER	REV
79767	C