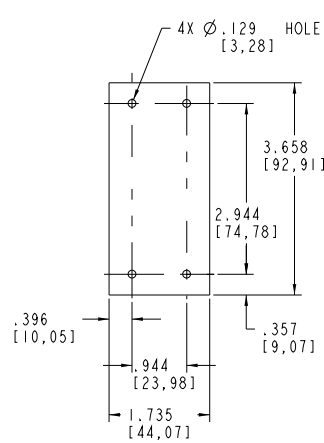
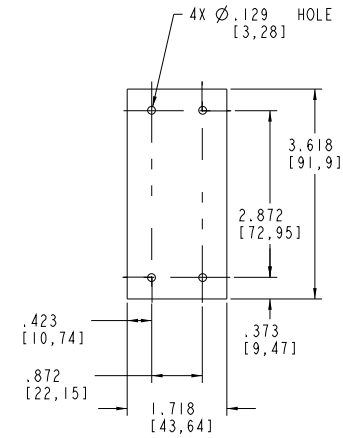


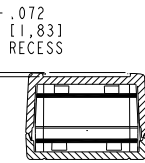
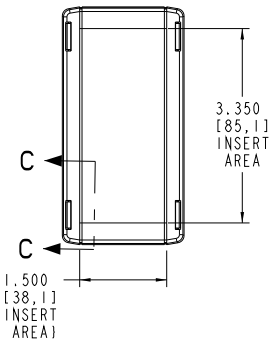
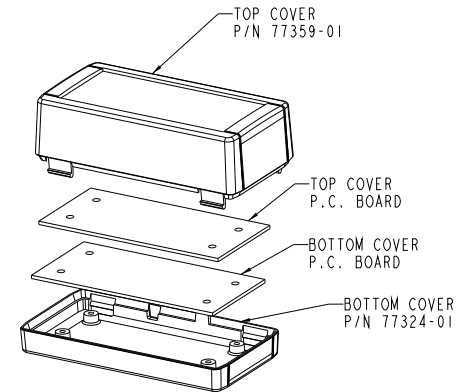
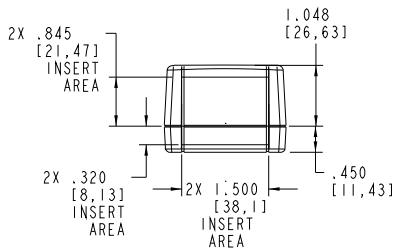
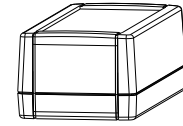
SECTION B-B



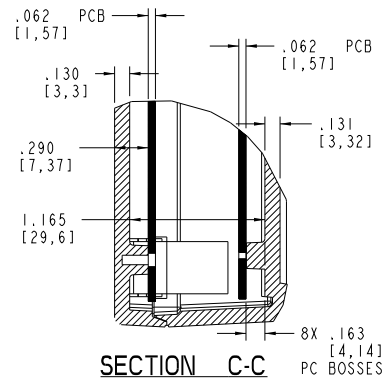
P.C. BOARD SIZE  
(BOTTOM COVER)



P.C. BOARD SIZE  
(TOP COVER)



SECTION A-A



SECTION C-C  
SCALE 2.000

**PACINTEC®**  
1-610-361-4200

**PS24-150**

VISIT **PACINTEC®**  
ON THE WORLD WIDE WEB  
[www.pactecenclosures.com](http://www.pactecenclosures.com)

COLOR / MATERIAL CODE		
COLOR	94HB	94VO
BLACK	000	028
P.C.BONE	039	060

SCALE 1.000

DRAWING NUMBER	REV
77360	A