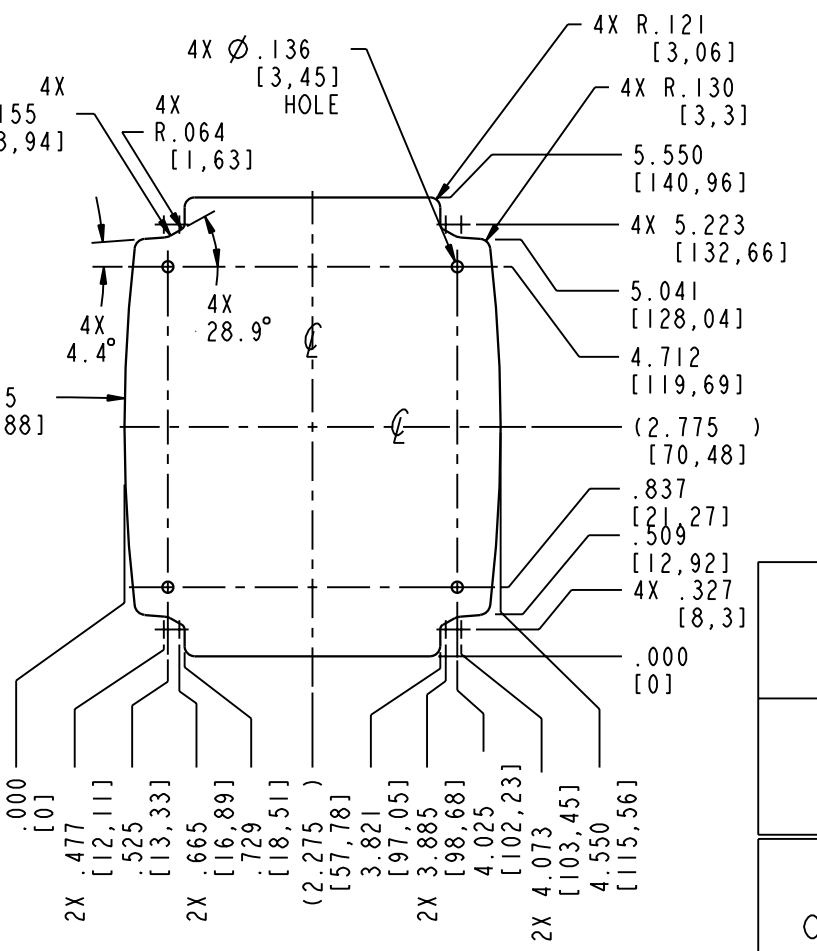
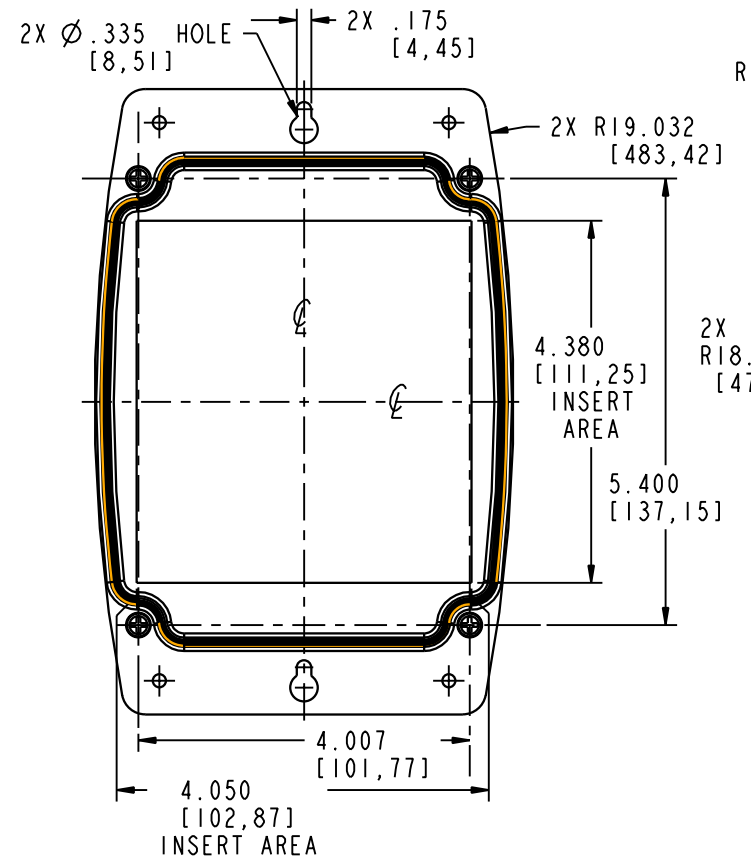
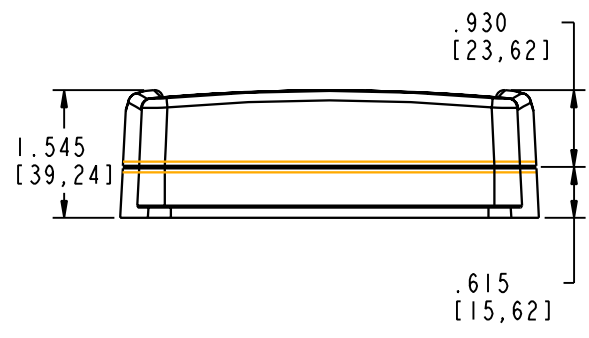


SECTION C-C

SECTION B-B



SECTION A-A

SECTION D-D

MAX PCB SIZE, .063 TK

NOTES:

1. USE #4 TYPE "B" THREAD FORMING SCREWS X .25 [6.3] OR .31 [7.9] LONG TO MOUNT CIRCUIT CARD ASSEMBLY.

PACINTEC[®]
1-610-361-4200

OD56

VISIT **PACINTEC**[®]
ON THE WORLD WIDE WEB
www.pactecenclosures.com

MATERIAL:
POLYCARBONATE (HB)
WITH UV STABILIZER

COLOR:
LIGHT GRAY #332

COLOR / MATERIAL CODE		
COLOR	94HB	94VO
BLACK	000	028
P.C.BONE	039	060

DRAWING NUMBER	REV
82528	F