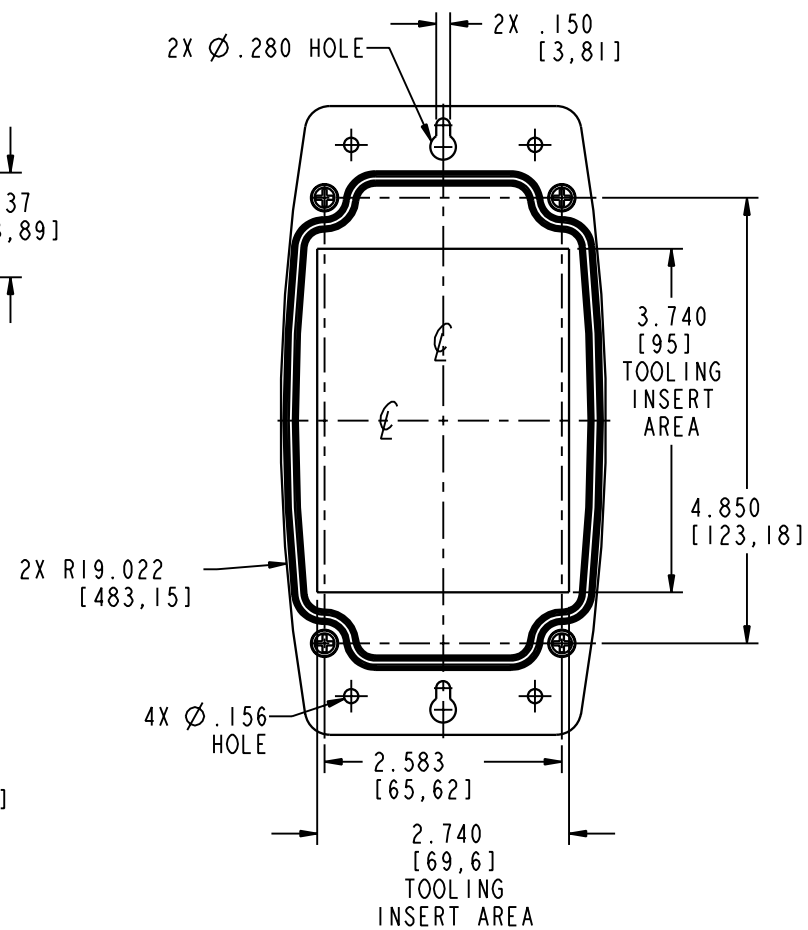
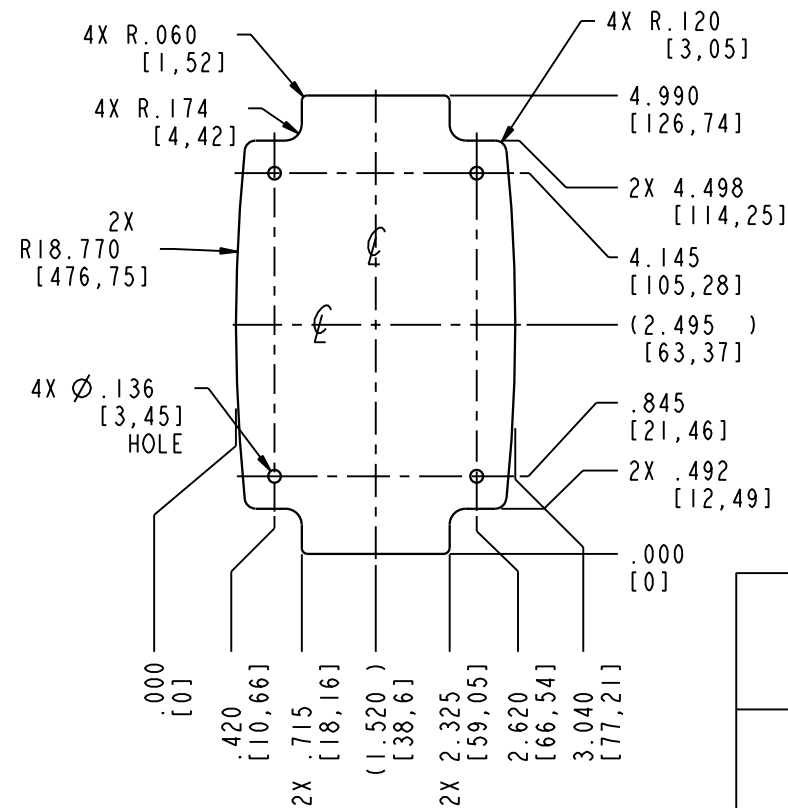


SECTION A-A



SECTION D-D



MAX PCB SIZE, .063 THICK
 BOTTOM COVER, CALL FOR TOP
 COVER PCB SIZE INFO

NOTES:

- USE #4 TYPE "B" THREAD FORMING SCREWS X .25 [6,3] OR .31 [7,9] LONG TO MOUNT CIRCUIT CARD ASSEMBLY.

PACINTEC®
 1-610-361-4231

OD45

VISIT **PACINTEC®**
 ON THE WORLD WIDE WEB
www.pactecenclosures.com

MATERIAL:
 POLYCARBONATE (HB)
 WITH UV STABILIZER

COLOR:
 LIGHT GRAY #332

DRAWING NUMBER	REV
82368	H