



[Custom
Molded
Rubber](#)



[Custom
Colors!!](#)

[Home](#)

[About PacTec](#)

[Contact Us](#)

Login

[Click Here to Register](#)

Username

Password

[Forget your login info?](#)

[View Cart \(0\)](#)

[Advanced Search](#)

[Connector Search](#)

News

Sign up for our latest news and new product updates!

Email:

LH77-200

External Dimensions: 7.3 x 7.1 x 2.2 in.

PCB Dimensions: 6.8 x 6.6 x 2.2 in.

Colors: Black
PC Bone

Materials: ABS-94HB
[Material Specs](#)

Components:

- Top and Bottom Covers
- Assembly Screws
- 2 Panels
- 4 Feet



[Custom Colors!!](#)



[Free Samples of
New Products Available!](#)



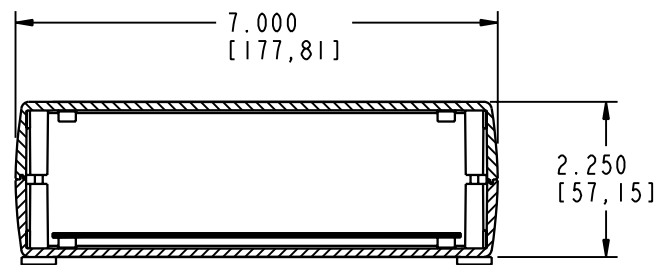
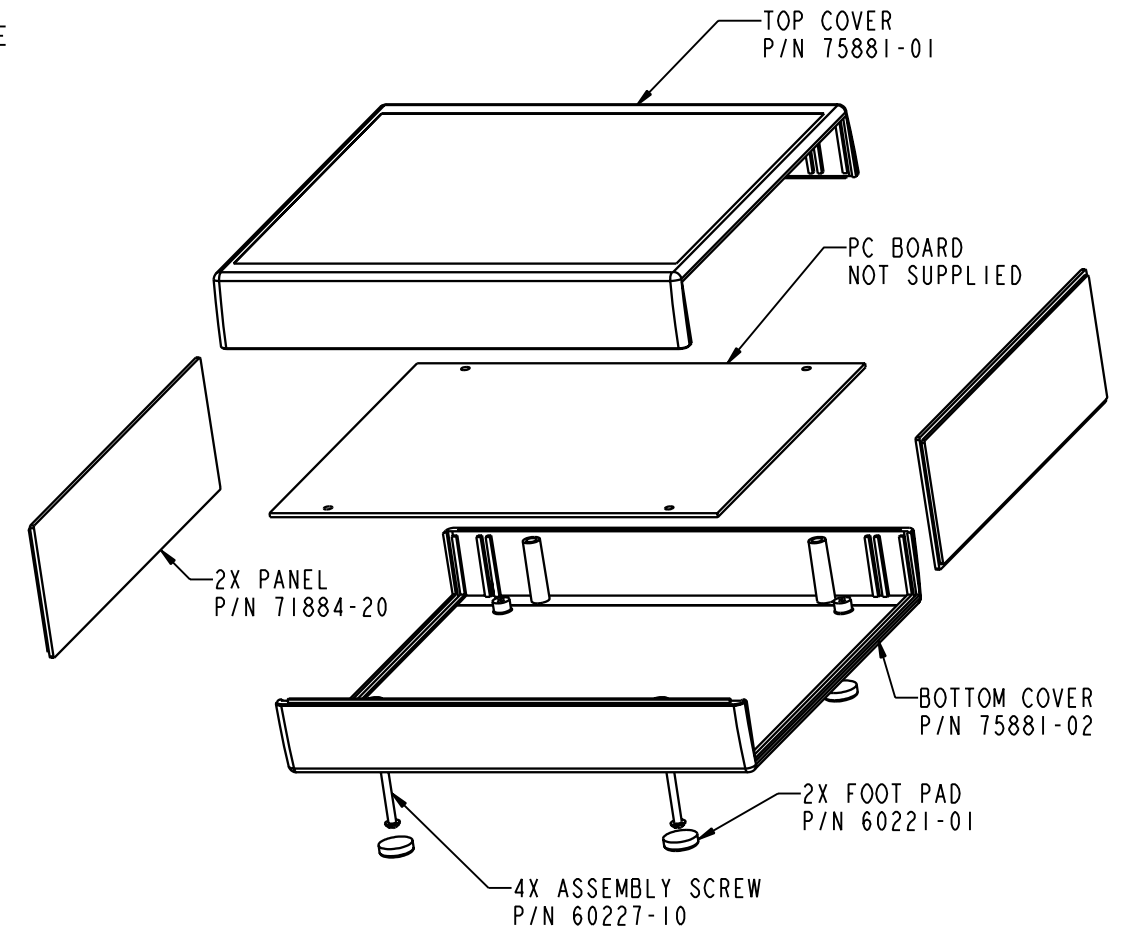
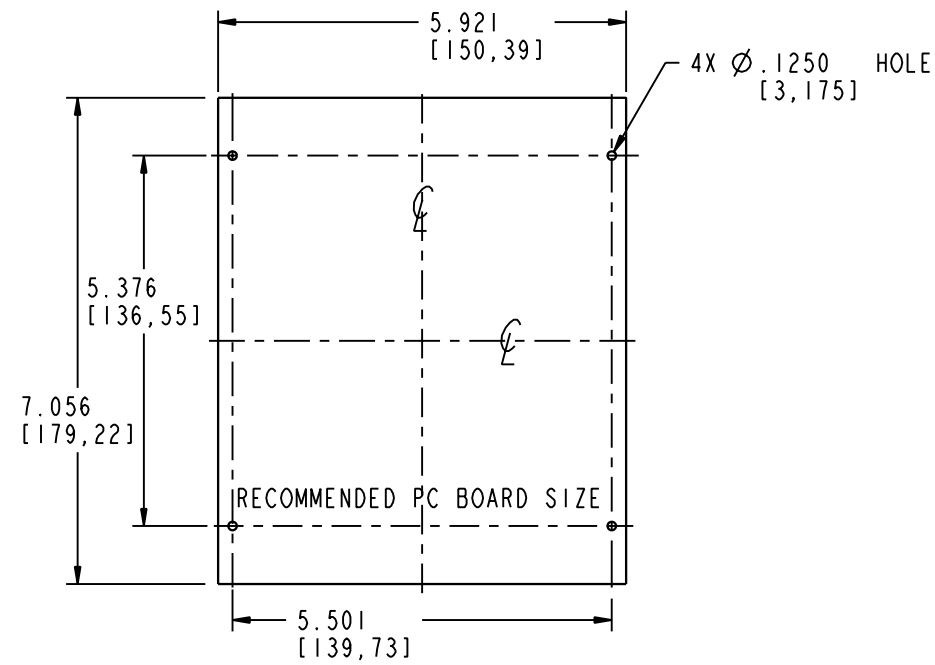
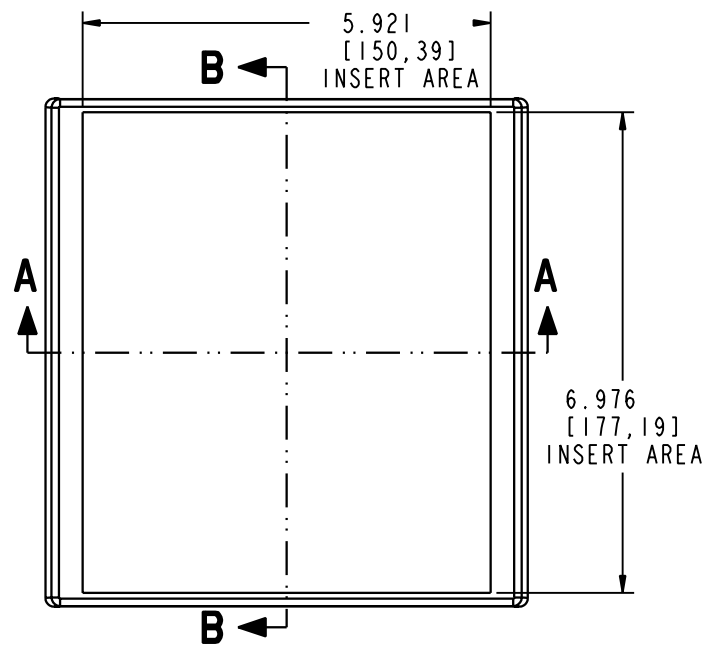
Copyright 2002-2005 © PacTec Divison of LaFrance Corp. All Rights Reserved.

[Privacy
Policy](#)

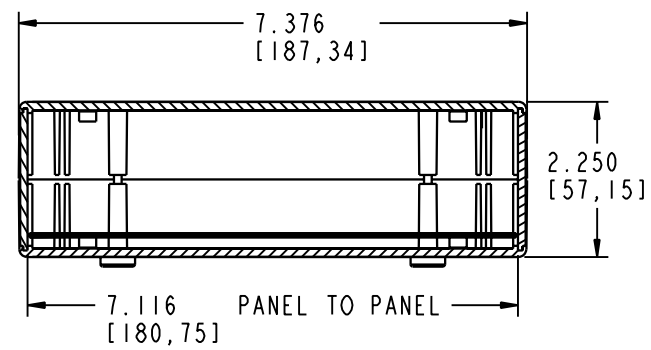
| [Shipping
Policies](#)

| [Return
Policies](#)

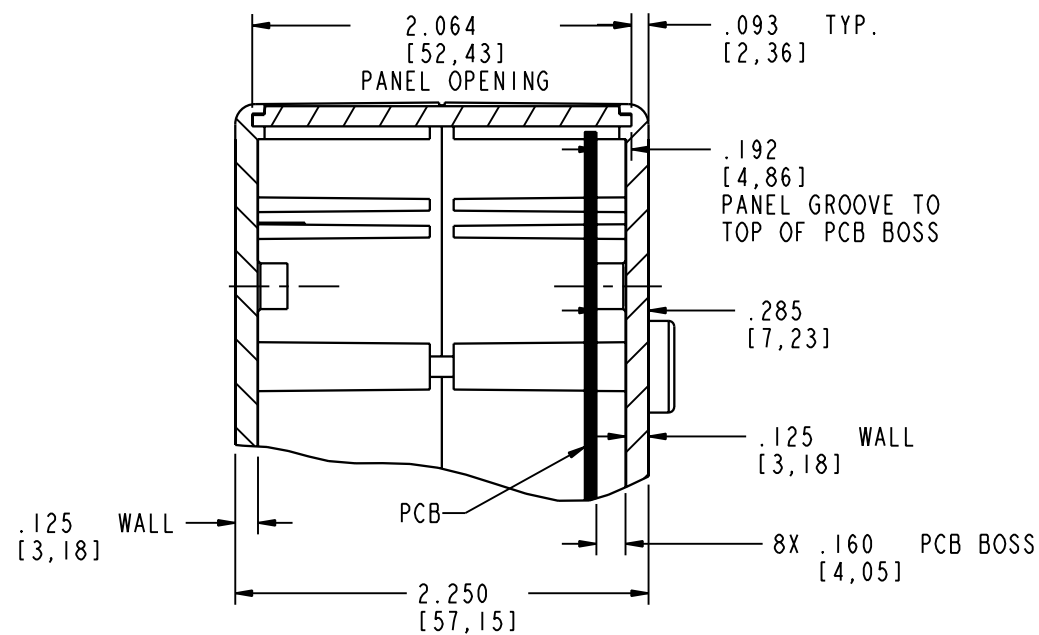
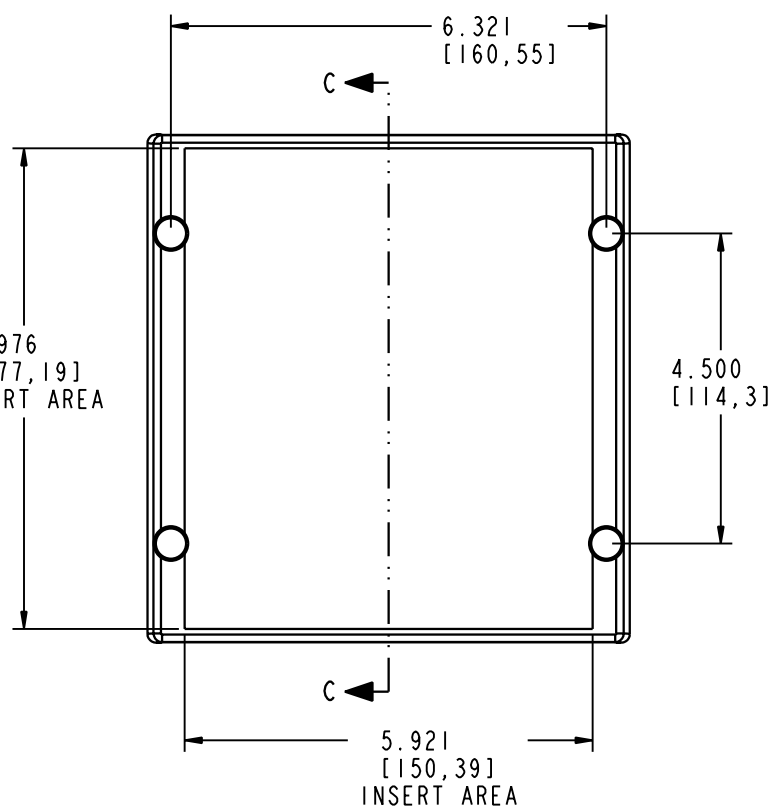
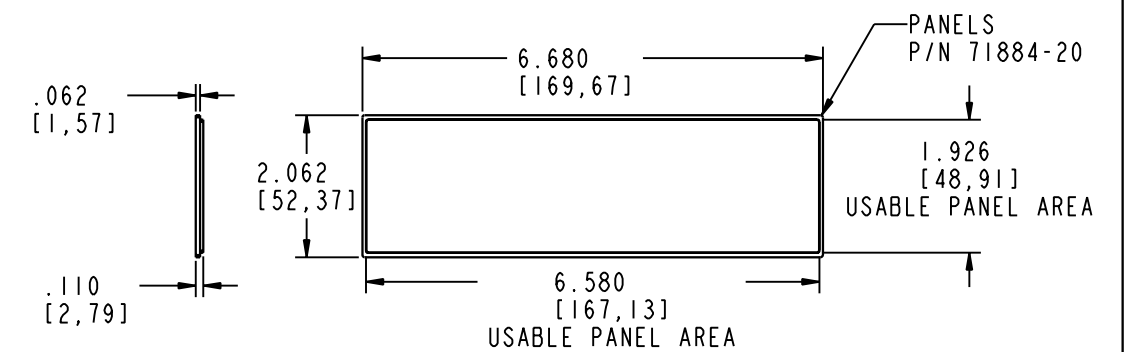
| [Site
Map](#)



SECTION A-A



SECTION B-B



SECTION C-C

PACNTEC[®]
1-610-361-4231

LH77-200

VISIT **PACNTEC**[®]
ON THE WORLD WIDE WEB
www.pactecenclosures.com

COLOR / MATERIAL CODE		
COLOR	94HB	94VO
BLACK	000	028
P. C. BONE	039	060

DRAWING NUMBER	REV
77304	D