



[Custom
Molded
Rubber](#)



[Custom
Colors!!](#)

[Home](#)

[About PacTec](#)

[Contact Us](#)

Login

[Click Here to Register](#)

Username

Password

[Forget your login info?](#)

[View Cart \(0\)](#)

[Advanced Search](#)

[Connector Search](#)

News

Sign up for our latest news and new product updates!

Email:

LH55-200

External Dimensions: 5.1 x 5.1 x 2.2 in.

PCB Dimensions: 4.6 x 4.6 x 2.2 in.

Colors: Black
PC Bone

Materials: ABS-94HB
[Material Specs](#)

Components:

- Top and Bottom Covers
- Assembly Screws
- 2 Panels
- 4 Feet

 [Add To Cart](#)



[View Drawing](#)

[Pricing](#)

*High quantity pricing
as low as \$3.38*

[Download PDF](#)

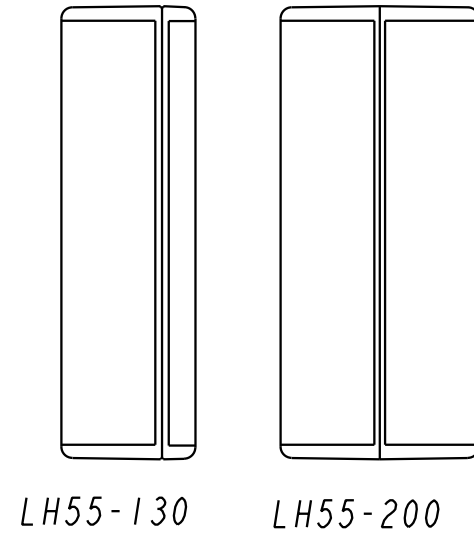
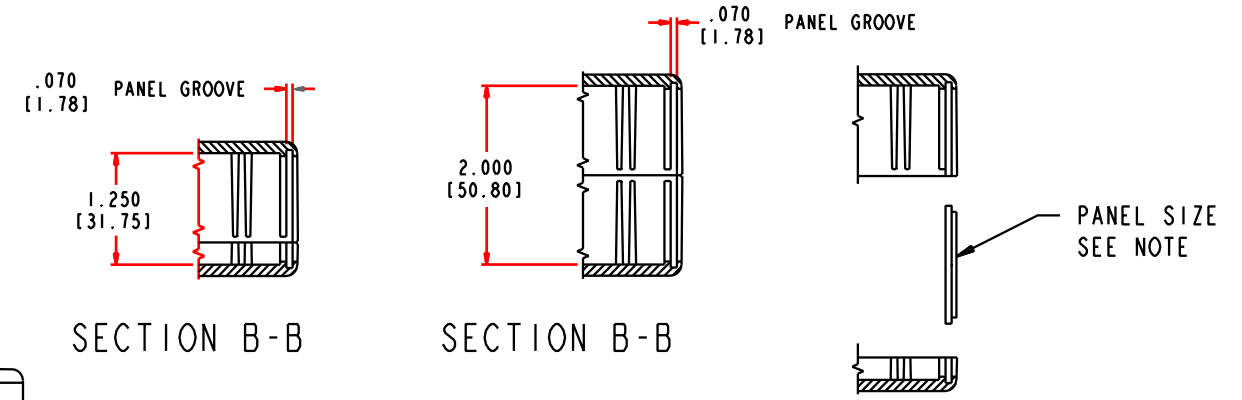
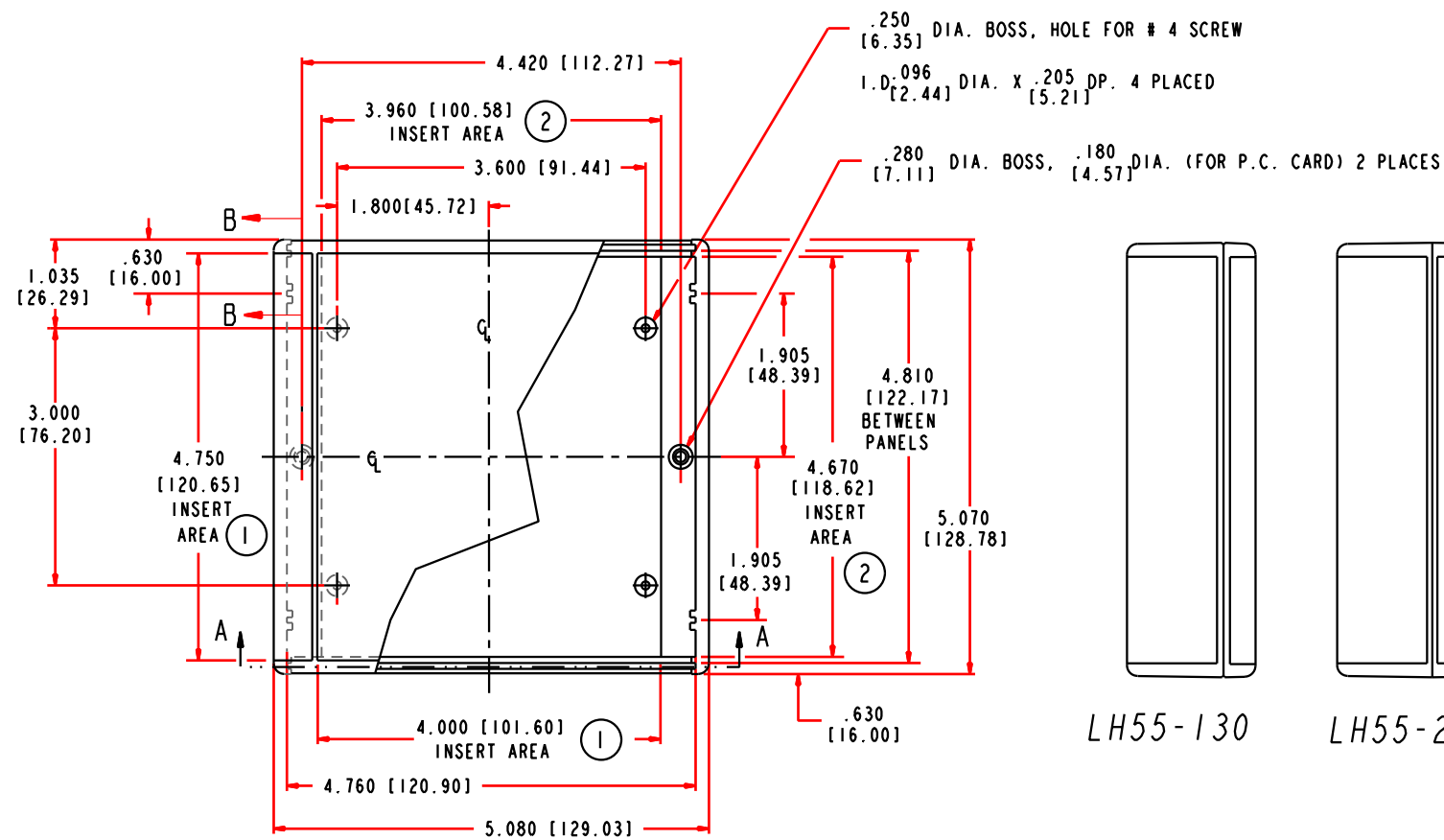


[Custom Colors!!](#)



[Free Samples of
New Products Available!](#)

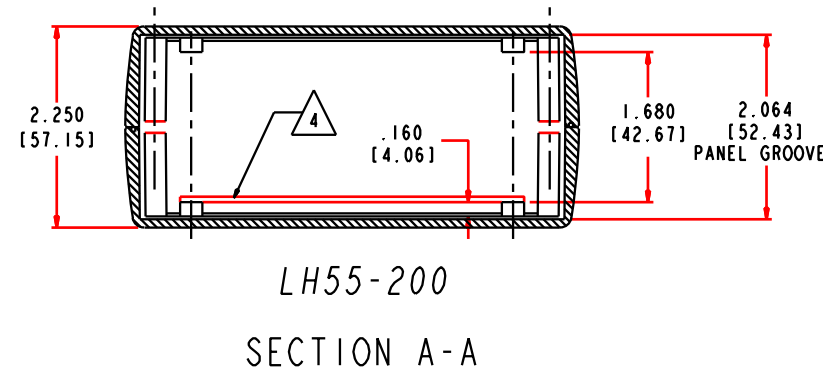
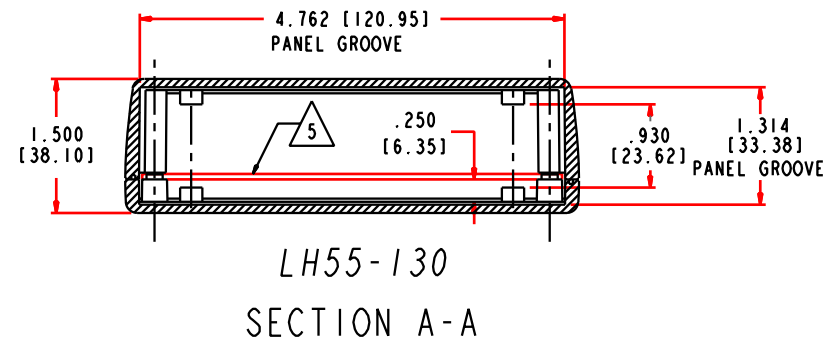
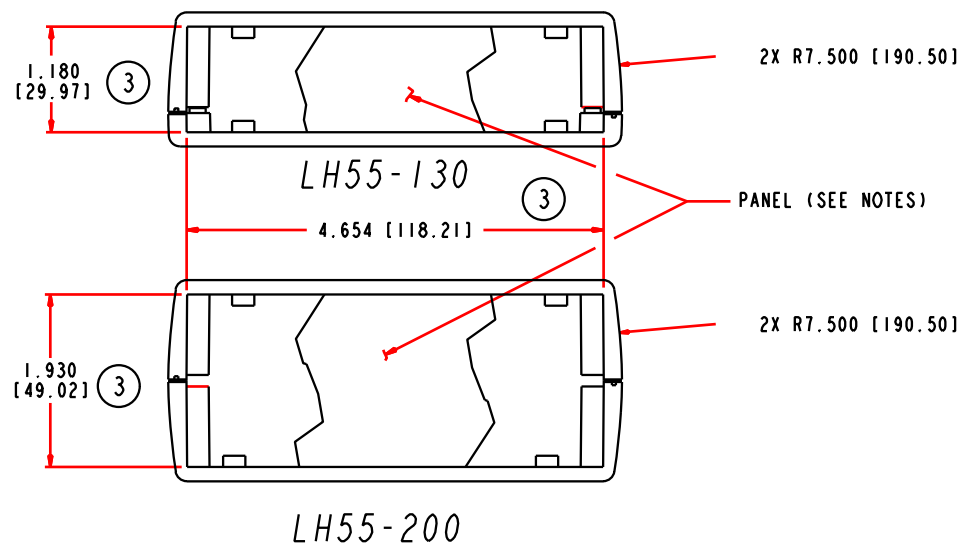




NOTES:

PANEL SIZE: (FRONT AND REAR)
 LH55-130 1.307±.005 [33.20±0.13] H X 4.750±.005 [120.65±0.13] W
 X .062±.005 [1.57±0.13] THK., IN PANEL GROOVE AREA.
 LH55-200 2.057±.005 [53.25±0.13] H X 4.750±.005 [120.65±0.13] W
 X .062±.005 [1.57±0.13] THK., IN PANEL GROOVE AREA.

- ① EXTERIOR INSERT AREA, FOR IN MOLD MODIFICATION. TYPICAL ON TOP AND BOTTOM COVERS.
- ② INTERIOR INSERT AREA, FOR IN MOLD MODIFICATION. TYPICAL ON TOP AND BOTTOM COVERS.
- ③ USABLE PANEL AREA.
- ④ P.C. CARD 50 [120.65] L X 4.000 [101.60] W .062±.005 [1.57±0.13] THK.
- ⑤ P.C. CARD 4.750 [120.65] L X 4.700 [120.65] W .062±.005 [1.57±0.13] THK.



PACITEC®

LH55-130 & LH55-200

www-pactecenclosures.com

1-610-361-4231