



[Custom  
Molded  
Rubber](#)



[Custom  
Colors!!](#)

[Home](#)

[About PacTec](#)

[Contact Us](#)

## Login

[Click Here to Register](#)

Username

Password

[Forget your login info?](#)

[View Cart \(0\)](#)

[Advanced Search](#)

[Connector Search](#)

## News

Sign up for our latest news and new product updates!

**Email:**

## LH55-200

**External Dimensions: 5.1 x 5.1 x 2.2 in.**

**PCB Dimensions: 4.6 x 4.6 x 2.2 in.**

**Colors:** Black  
PC Bone

**Materials:** ABS-94HB  
[Material Specs](#)

### Components:

- Top and Bottom Covers
- Assembly Screws
- 2 Panels
- 4 Feet



[Custom Colors!!](#)



[Free Samples of  
New Products Available!](#)

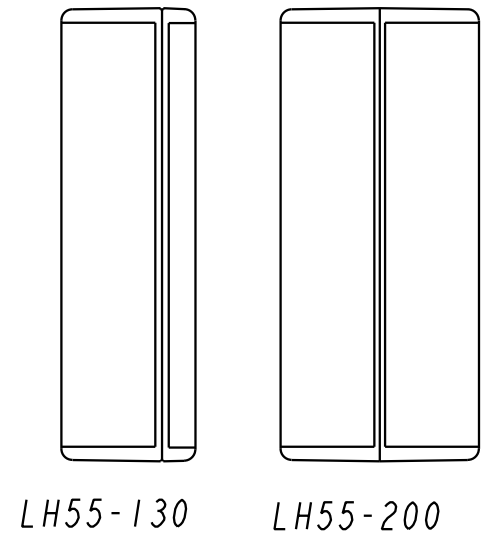
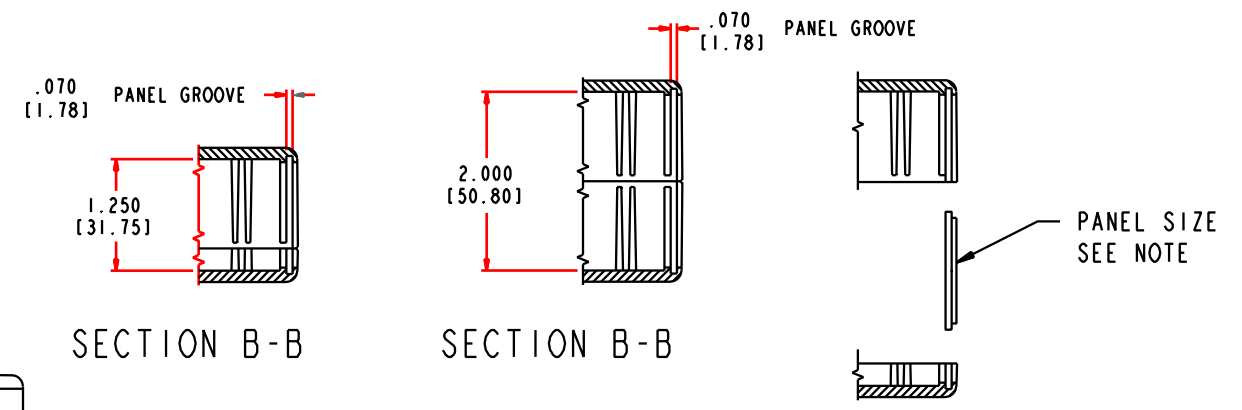
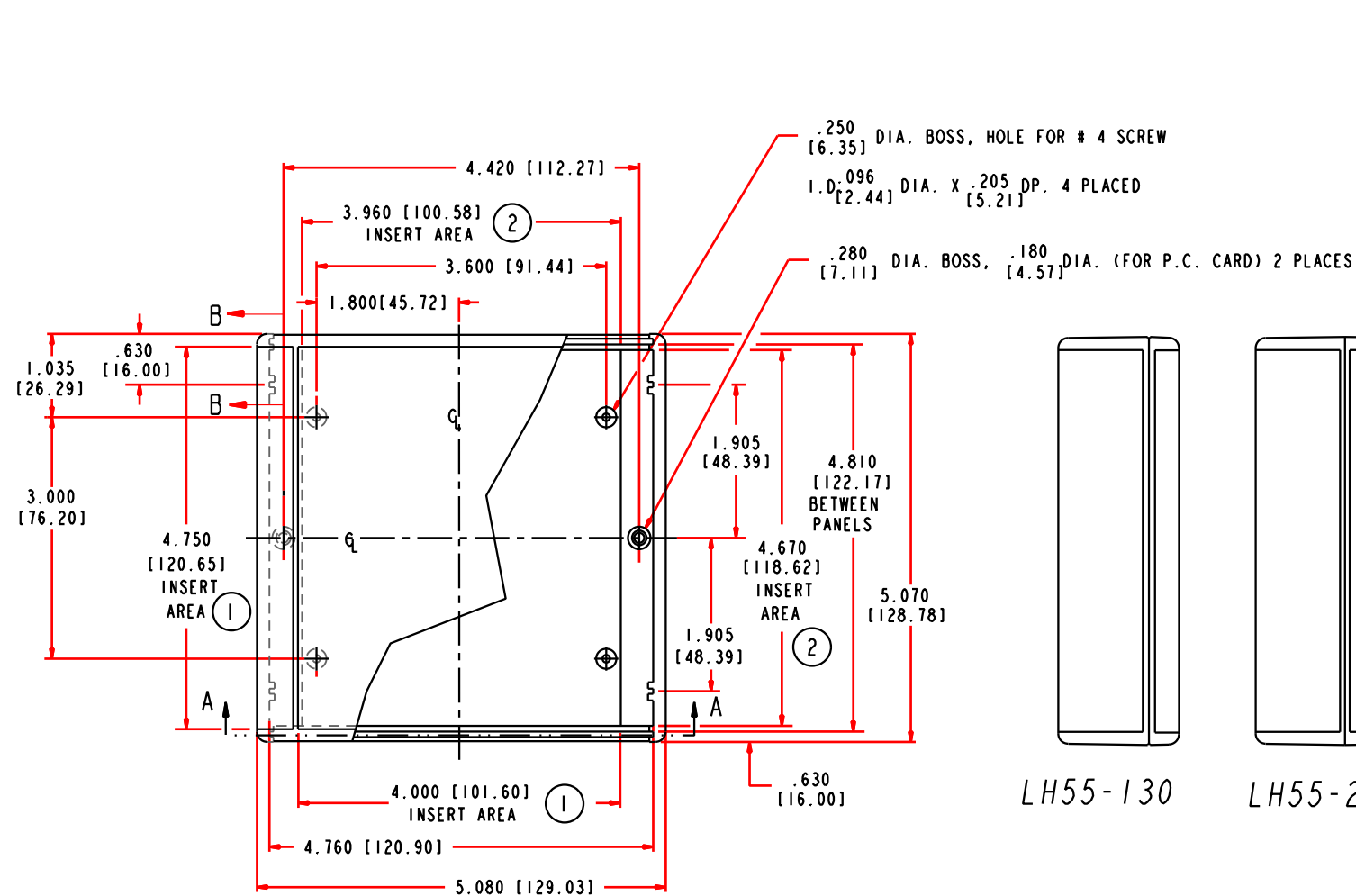
Copyright 2002-2005 © PacTec Divison of LaFrance Corp. All Rights Reserved.

[Privacy  
Policy](#)

| [Shipping  
Policies](#)

| [Return  
Policies](#)

| [Site  
Map](#)

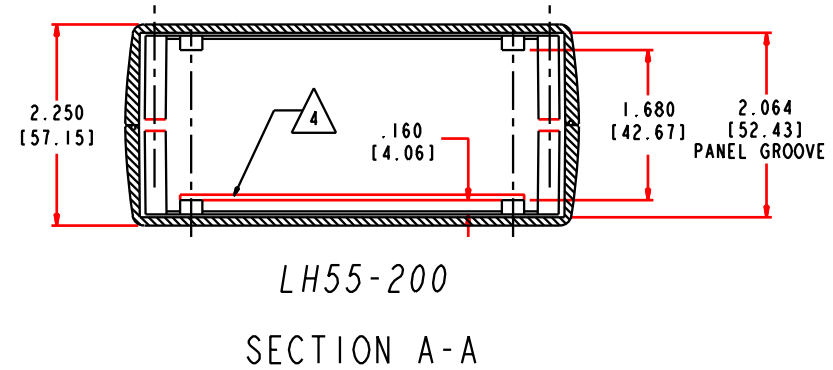
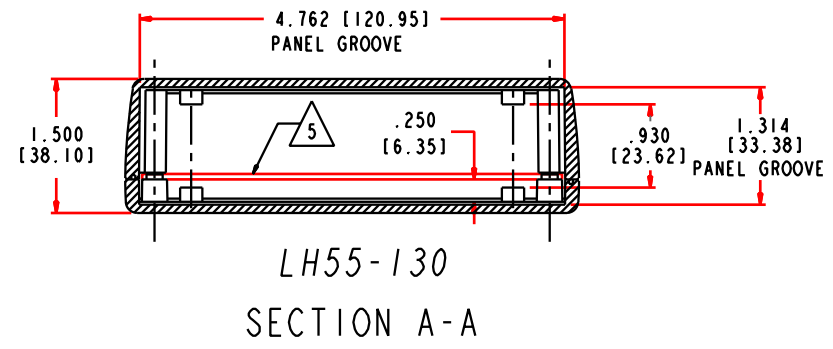
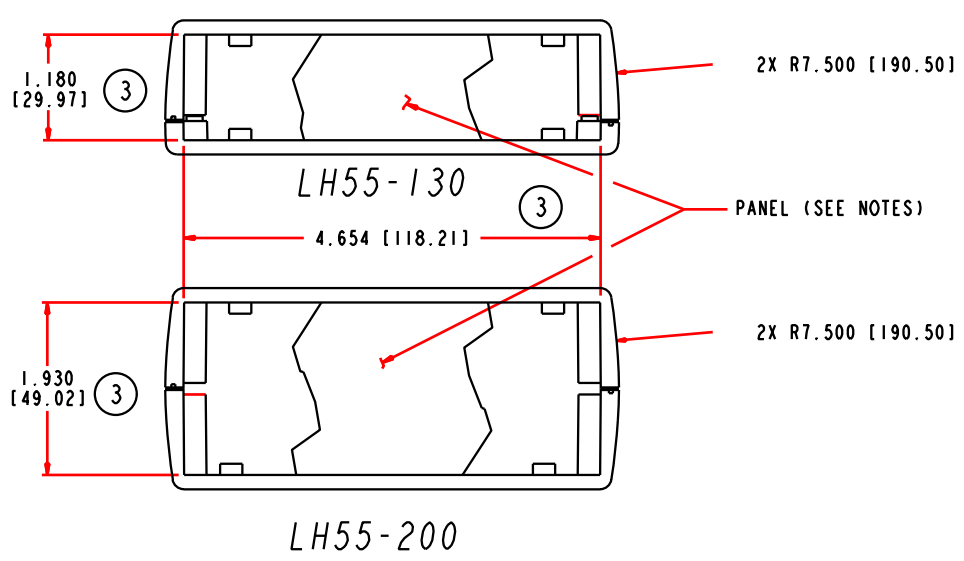


NOTES:

PANEL SIZE: (FRONT AND REAR)  
 LH55-130 1.307±.005 [33.20±0.13] H X 4.750±.005 [120.65±0.13] W X .062±.005 [1.57±0.13] THK., IN PANEL GROOVE AREA.  
 LH55-200 2.057±.005 [53.25±0.13] H X 4.750±.005 [120.65±0.13] W X .062±.005 [1.57±0.13] THK., IN PANEL GROOVE AREA.

① EXTERIOR INSERT AREA, FOR IN MOLD MODIFICATION. TYPICAL ON TOP AND BOTTOM COVERS.  
 ② INTERIOR INSERT AREA, FOR IN MOLD MODIFICATION. TYPICAL ON TOP AND BOTTOM COVERS.  
 ③ USABLE PANEL AREA.

⚠ P.C. CARD 50 [120.65] L X 4.000 [101.60] W .062±.005 [1.57±0.13] THK.  
 ⚠ P.C. CARD 4.750 [120.65] L X 4.700 [120.65] W .062±.005 [1.57±0.13] THK.



**PACITEC®**  
 LH55-130 & LH55-200  
 www-pactecenclosures.com  
 1-610-361-4231