



[Custom  
Molded  
Rubber](#)



[Custom  
Colors!!](#)

[Home](#)

[About PacTec](#)

[Contact Us](#)

## Login

[Click Here to Register](#)

Username

Password

[Forget your login info?](#)

[View Cart \(0\)](#)

[Advanced Search](#)

[Connector Search](#)

## News

Sign up for our latest news and new product updates!

**Email:**

## LH45-175

**External Dimensions: 4.7 x 4.1 x 1.7 in.**

**PCB Dimensions: 4.2 x 3.6 x 1.7 in.**

**Colors:** Black  
PC Bone

**Materials:** ABS-94HB  
[Material Specs](#)

### Components:

- Top and Bottom Covers
- Assembly Screws
- 2 Panels
- 4 Feet



[Custom Colors!!](#)



[Free Samples of  
New Products Available!](#)

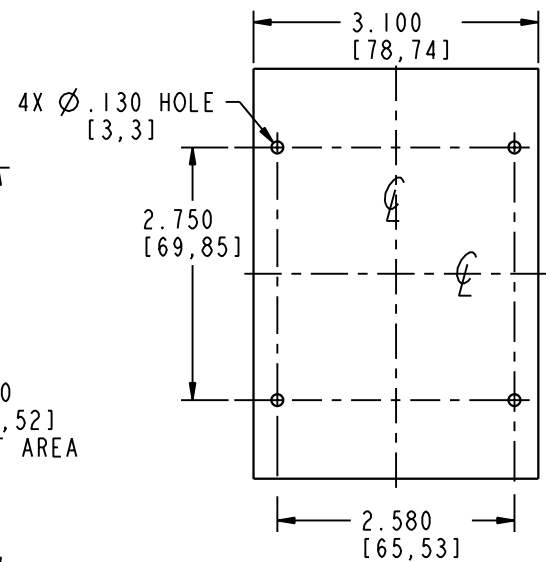
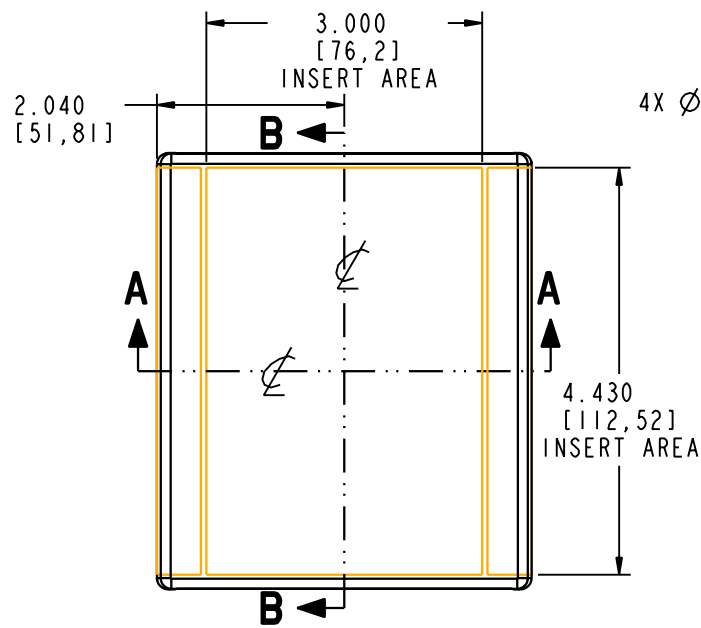
Copyright 2002-2005 © PacTec Divison of LaFrance Corp. All Rights Reserved.

[Privacy  
Policy](#)

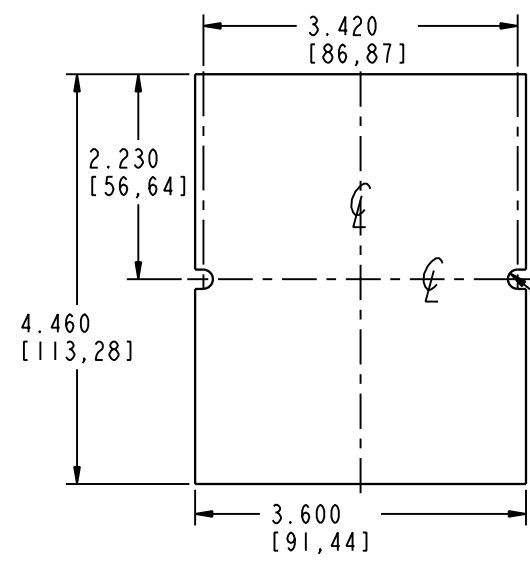
| [Shipping  
Policies](#)

| [Return  
Policies](#)

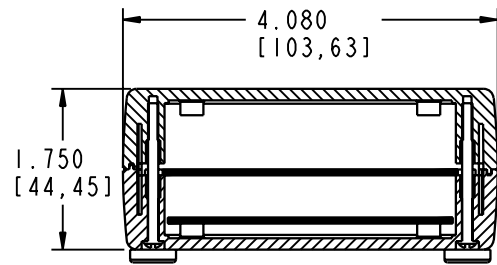
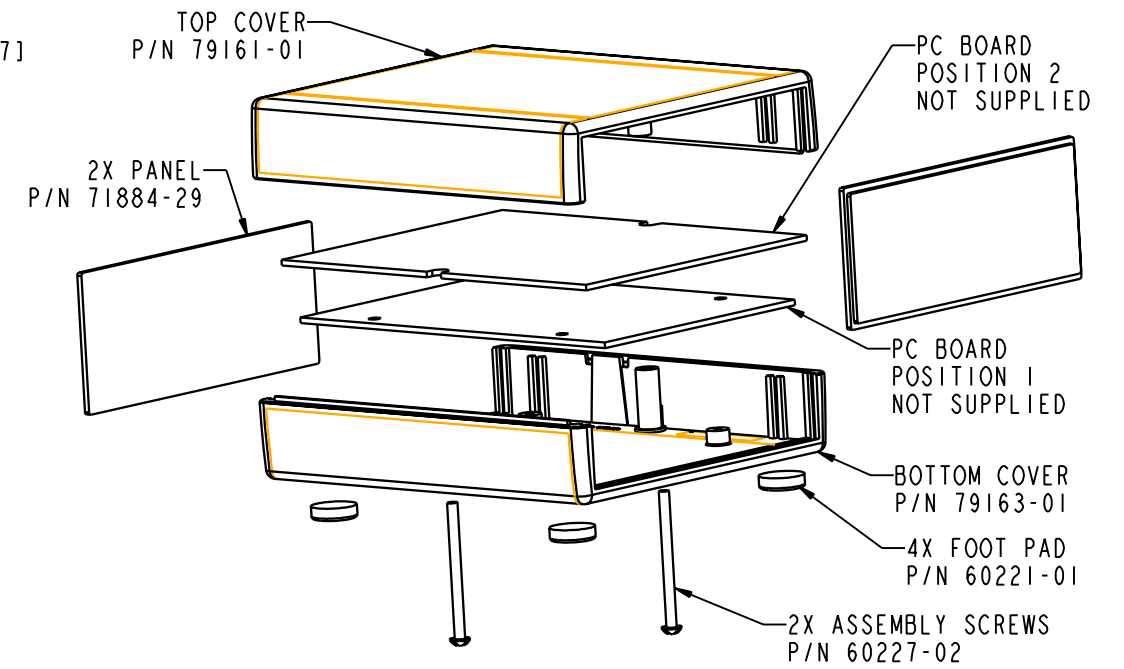
| [Site  
Map](#)



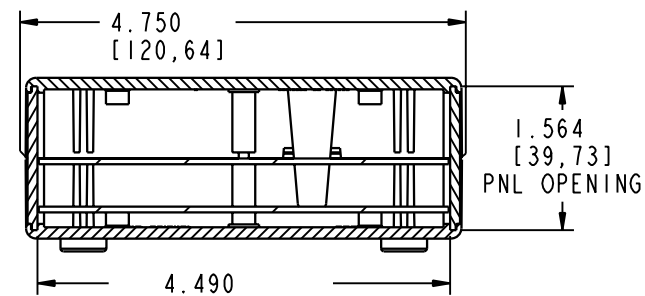
RECOMMENDED .062 PCB SIZE FOR POSITION 1



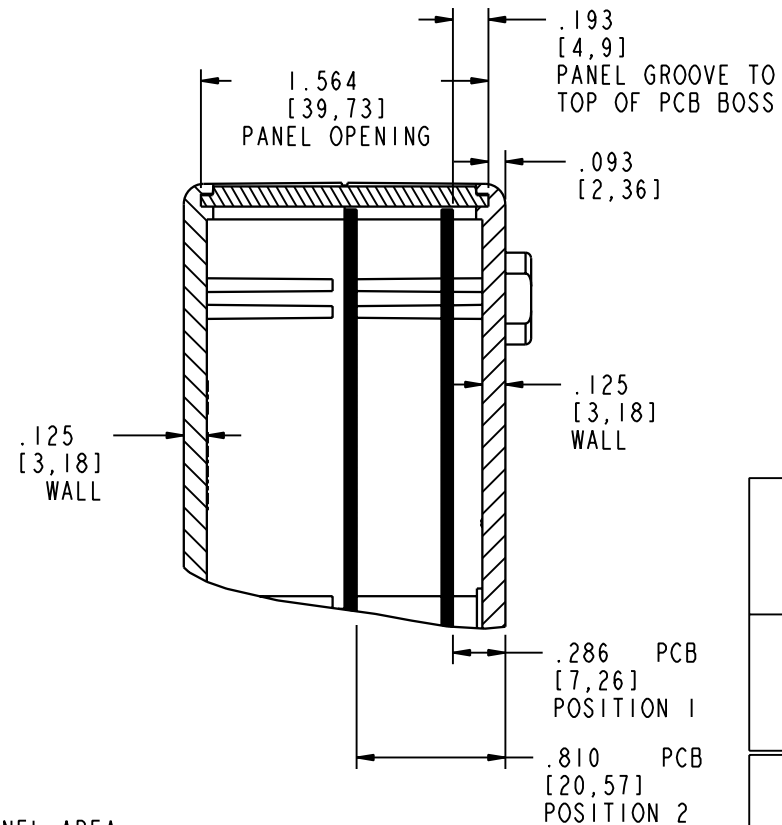
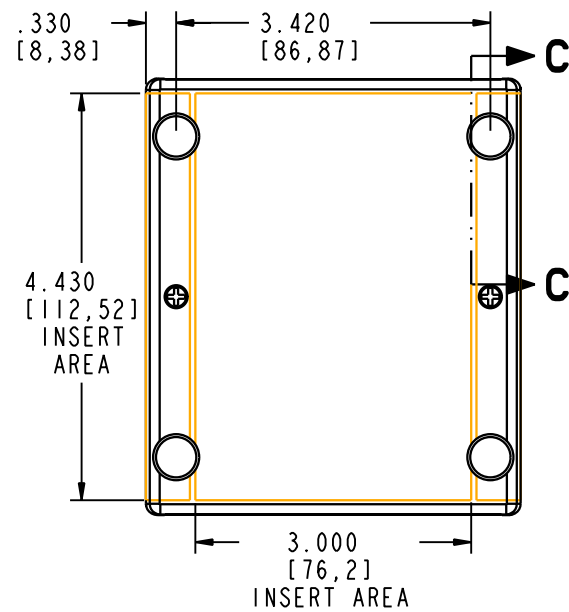
RECOMMENDED .062 PCB SIZE FOR POSITION 2



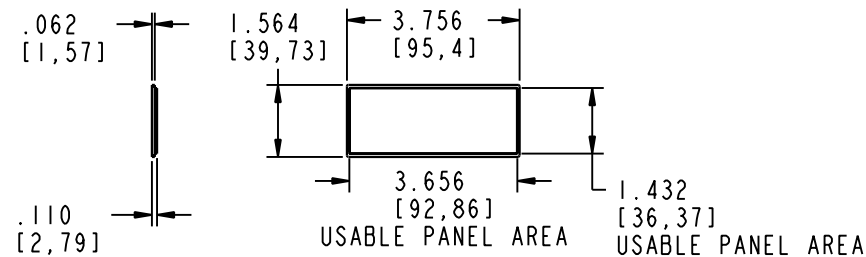
SECTION A-A



SECTION B-B



SECTION C-C  
SCALE 2.000



PANEL SIZE

**PACINTEC**<sup>®</sup>  
1-610-361-4231

**LH45-175**

VISIT **PACINTEC**<sup>®</sup>  
ON THE WORLD WIDE WEB  
[www.pactecenclosures.com](http://www.pactecenclosures.com)

COLOR / MATERIAL CODE		
COLOR	94HB	94VO
BLACK	000	028
P. C. BONE	039	060

DRAWING NUMBER	REV
79160	D