



[Custom
Molded
Rubber](#)



[Custom
Colors!!](#)

[Home](#)

[About PacTec](#)

[Contact Us](#)

Login

[Click Here to Register](#)

Username

Password

[Forget your login info?](#)

[View Cart \(0\)](#)
[Advanced Search](#)
[Connector Search](#)

News

Sign up for our latest news and new product updates!

Email:



[Custom Colors!!](#)



[Free Samples of
New Products Available!](#)



LH129-250

External Dimensions: 9.3 x 11.1 x 2.2 in.

PCB Dimensions: 8.8 x 10.6 x 2.2 in.

Colors: Black
PC Bone

Materials: ABS-94HB
[Material Specs](#)

Components:

- Top and Bottom Covers
- Assembly Screws
- 2 Panels
- 4 Feet

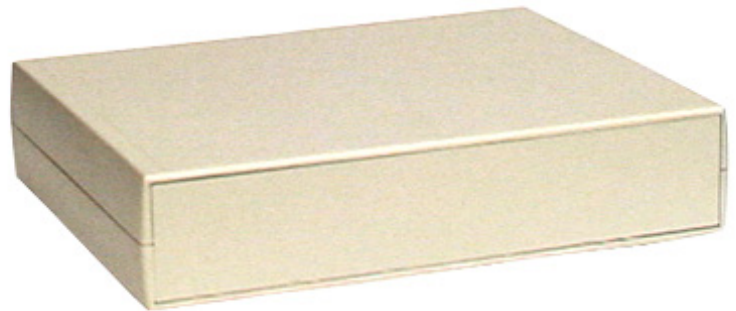
[View Drawing](#)

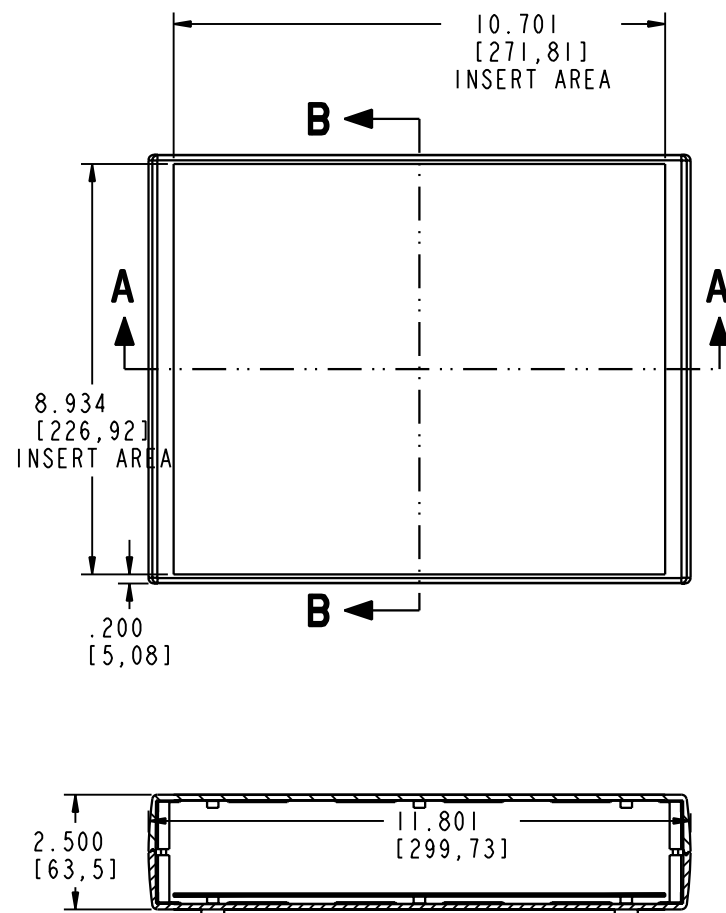
[Pricing](#)

*High quantity pricing
as low as \$7.25*

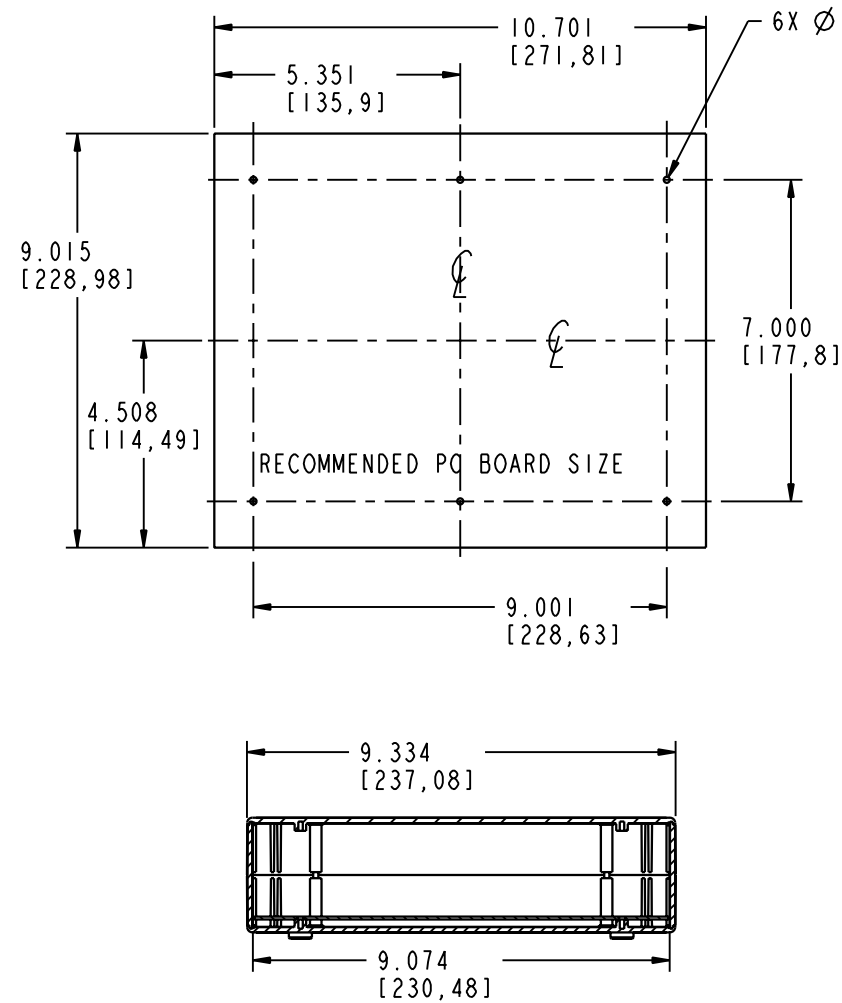
[Download PDF](#)

 [Add To Cart](#)

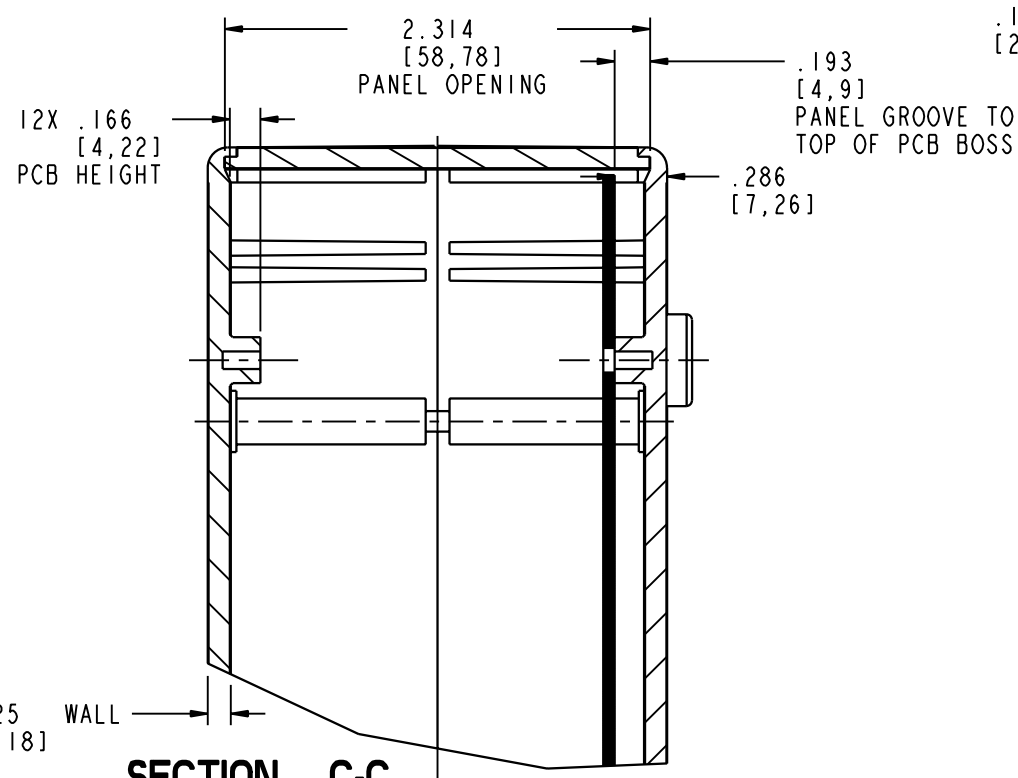
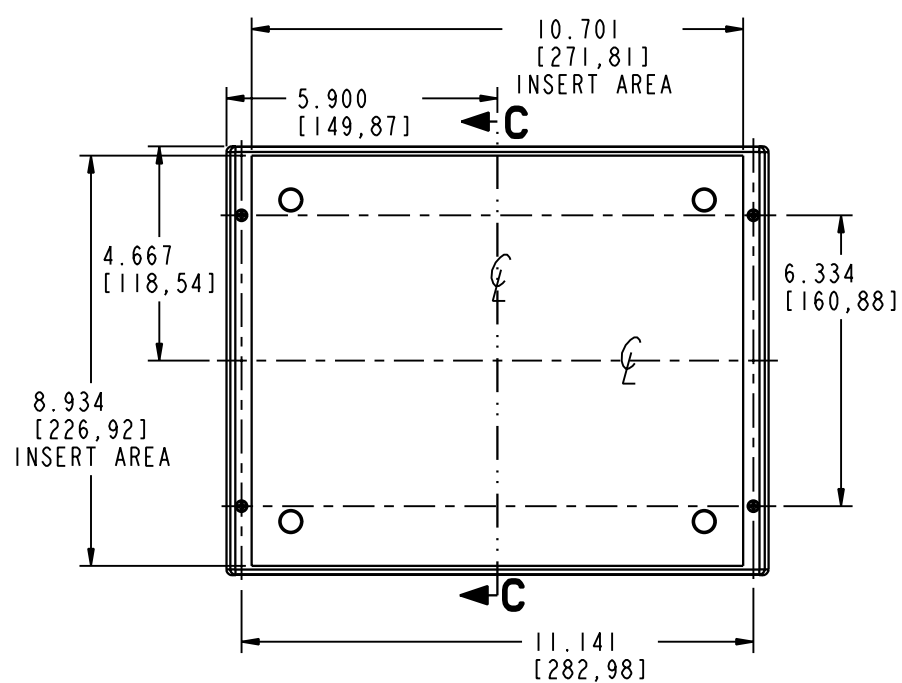
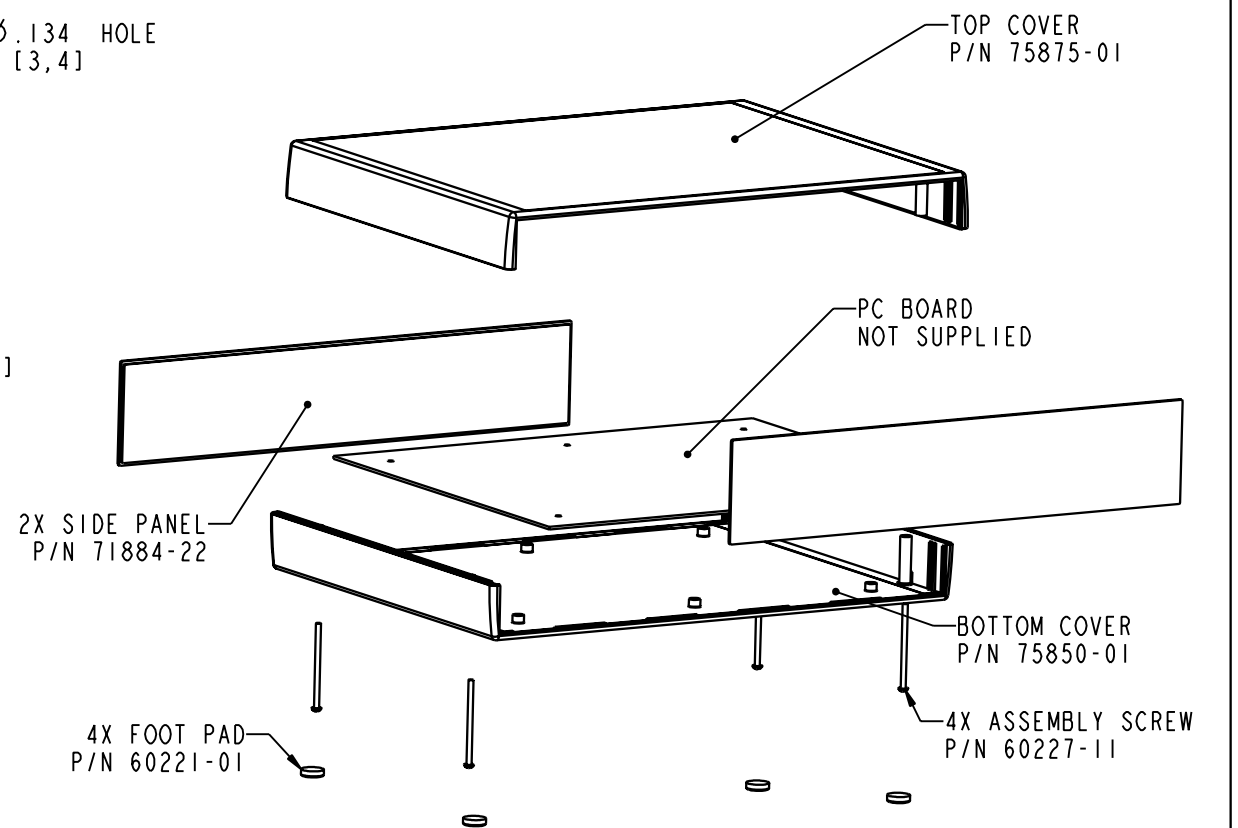




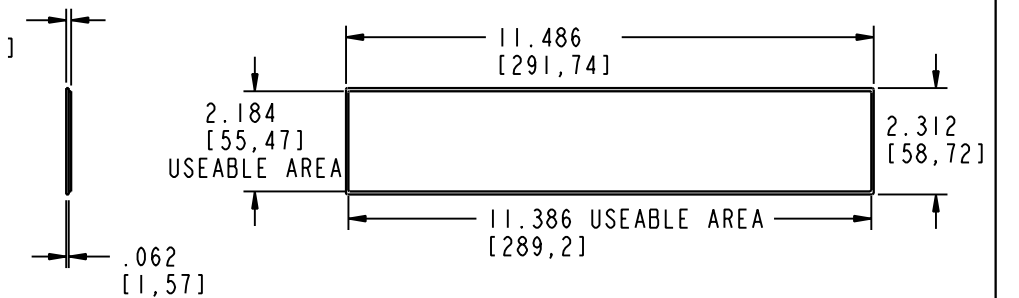
SECTION A-A



SECTION B-B



SECTION C-C
SCALE 2.000



PACINTEC®
1-610-361-4231

LH129-250

VISIT **PACINTEC®**
ON THE WORLD WIDE WEB
www.pactecenclosures.com

COLOR / MATERIAL CODE		
COLOR	94HB	94VO
BLACK	000	028
P. C. BONE	039	060

DRAWING NUMBER	REV
76589	D