



[Custom
Molded
Rubber](#)



[Custom
Colors!!](#)

[Home](#)

[About PacTec](#)

[Contact Us](#)

Login

[Click Here to Register](#)

Username

Password

[Forget your login info?](#)

[View Cart \(0\)](#)

[Advanced Search](#)

[Connector Search](#)

News

Sign up for our latest news and new product updates!

Email:

LH129-250

External Dimensions: 9.3 x 11.1 x 2.2 in.

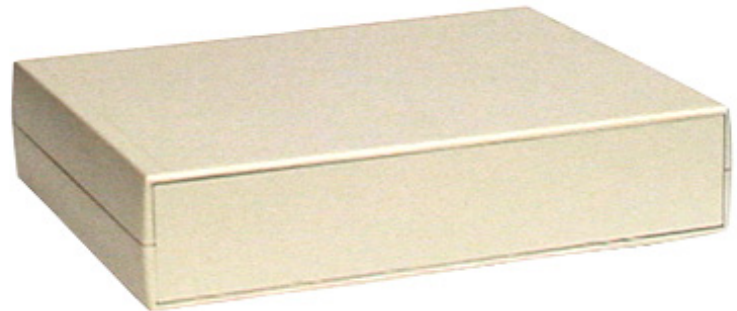
PCB Dimensions: 8.8 x 10.6 x 2.2 in.

Colors: Black
PC Bone

Materials: ABS-94HB

Components:

- Top and Bottom Covers
- Assembly Screws
- 2 Panels
- 4 Feet



[Custom Colors!!](#)



[Free Samples of
New Products Available!](#)



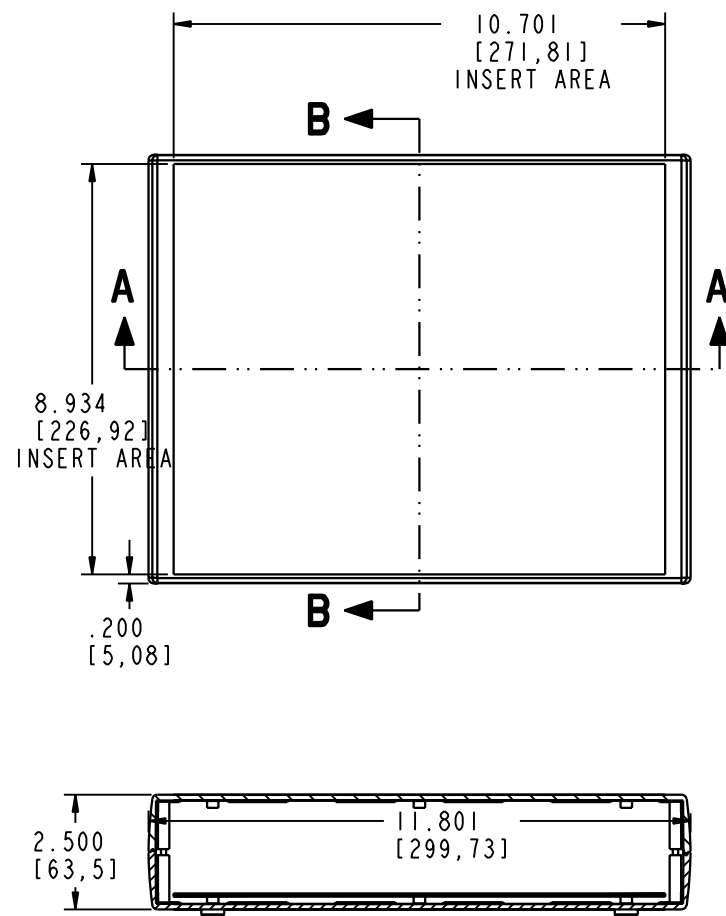
Copyright 2002-2005 © PacTec Divison of LaFrance Corp. All Rights Reserved.

[Privacy](#)
[Policy](#)

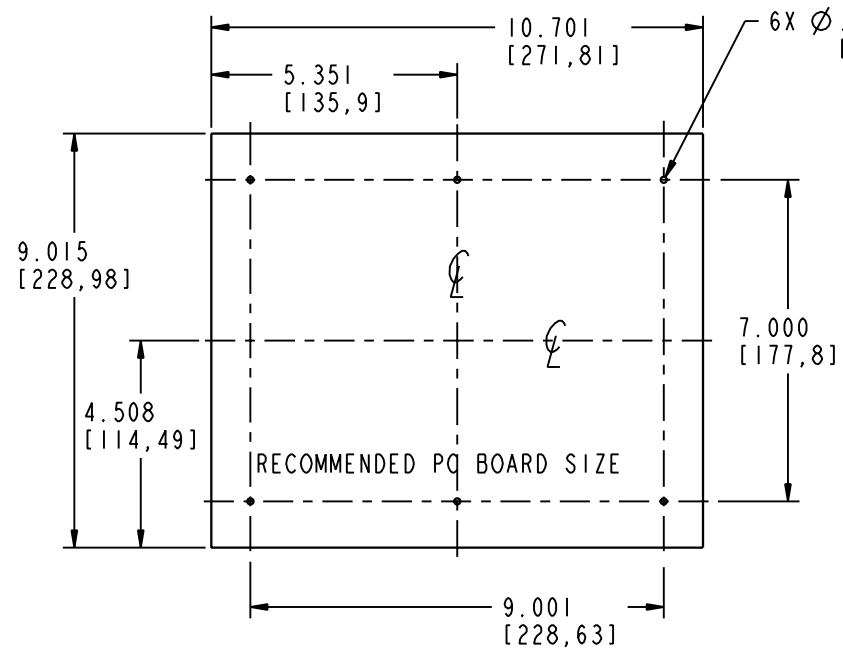
| [Shipping](#)
[Policies](#)

| [Return](#)
[Policies](#)

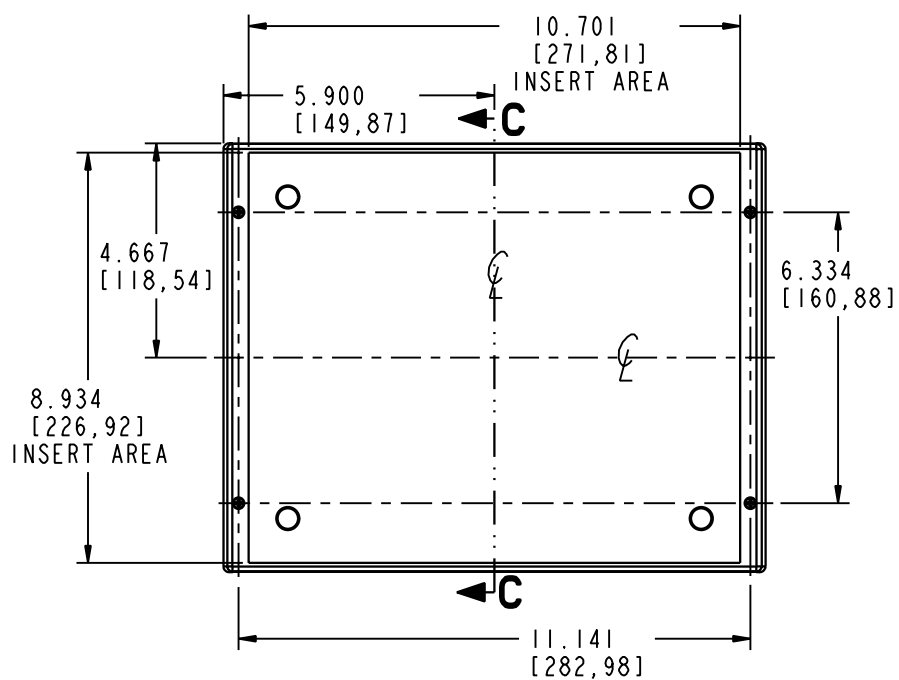
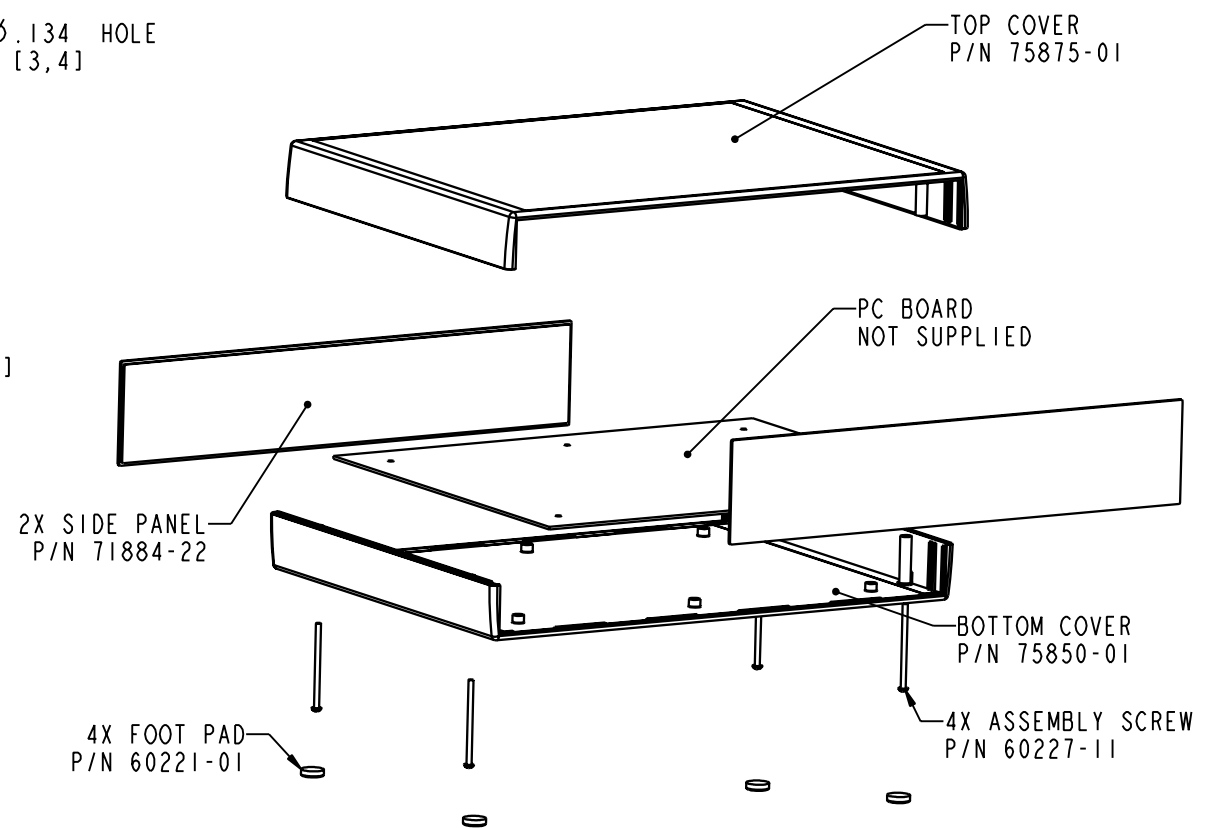
| [Site](#)
[Map](#)



SECTION A-A

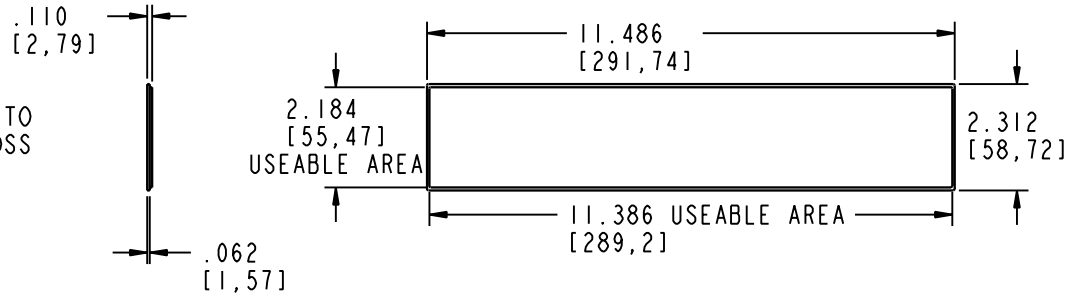
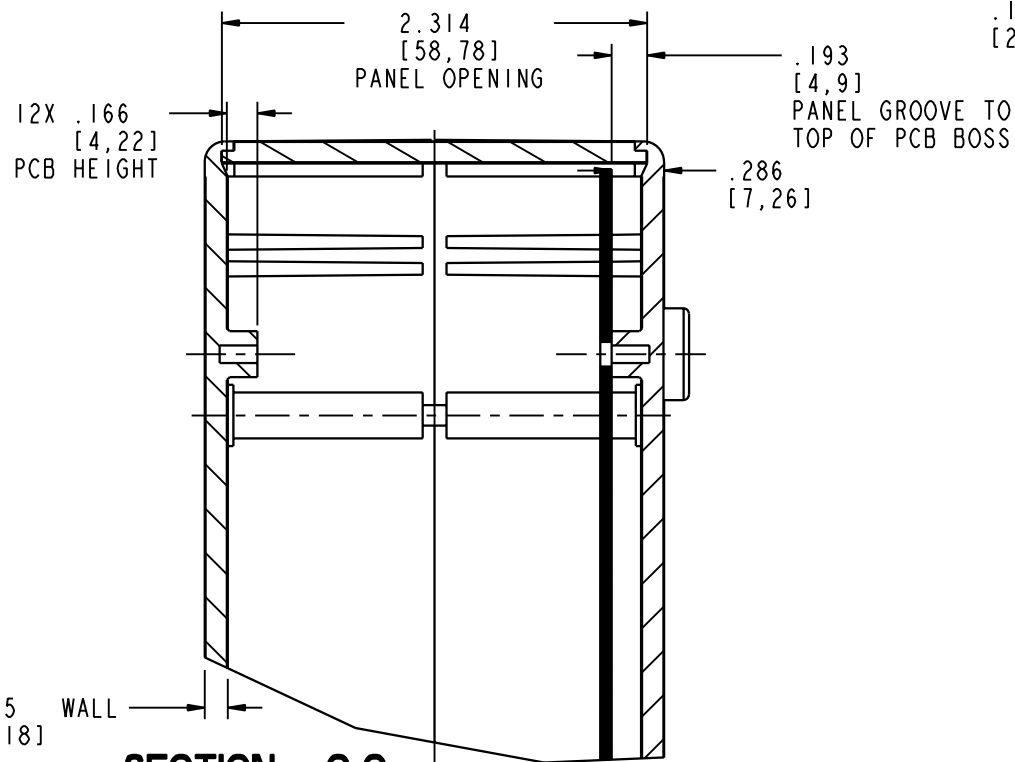


SECTION B-B



SECTION C-C

SCALE 2.000



PACINTEC[®]
1-610-361-4231

LH129-250

VISIT **PACINTEC**[®]
ON THE WORLD WIDE WEB
www.pactecenclosures.com

COLOR / MATERIAL CODE		
COLOR	94HB	94VO
BLACK	000	028
P. C. BONE	039	060

DRAWING NUMBER	REV
76589	D