



[Custom
Molded
Rubber](#)



[Custom
Colors!!](#)

[Home](#)

[About PacTec](#)

[Contact Us](#)

Login

[Click Here to Register](#)

Username

Password

[Forget your login info?](#)

[View Cart \(0\)](#)

[Advanced Search](#)

[Connector Search](#)

News

Sign up for our latest news and new product updates!

Email:



[Custom Colors!!](#)



[Free Samples of
New Products Available!](#)



JM-24

External Dimensions: 3.8 x 2.4 x 1 in.

PCB Dimensions: 3.3 x 1.9 x 1 in.

Colors: Black
PC Bone

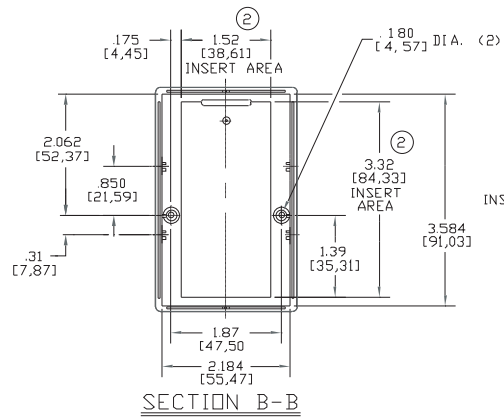
Materials: ABS-94HB
[Material Specs](#)

Components:

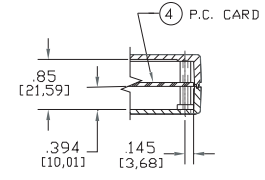
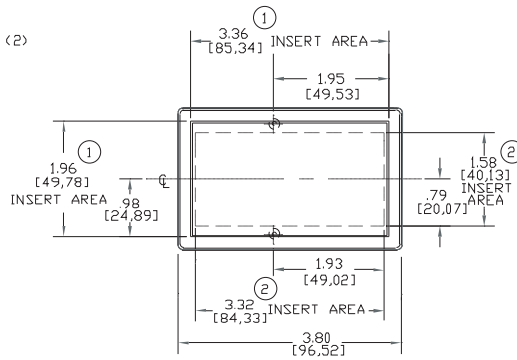
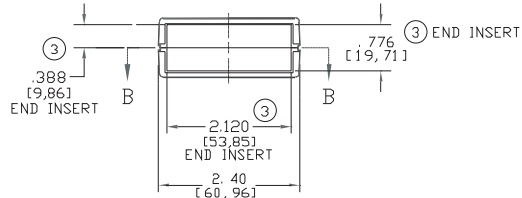
- Top and Bottom Covers
- Assembly Screws

 [Add To Cart](#)

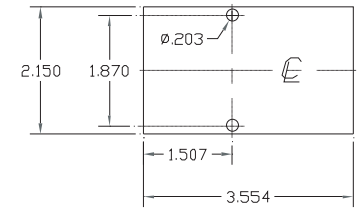
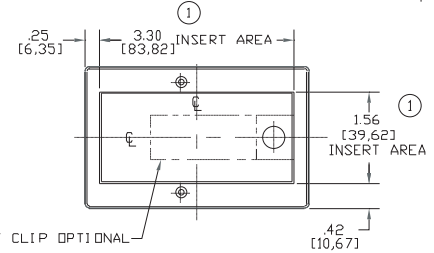
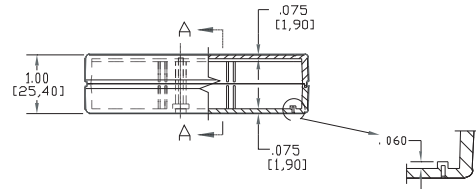




SECTION B-B



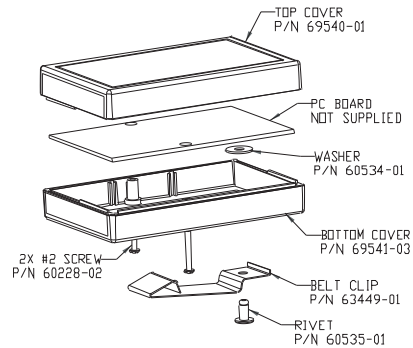
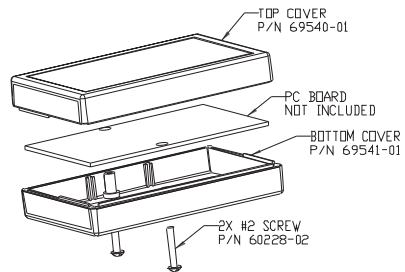
SECTION A-A



NOTES:

- ① EXTERIOR INSERT AREA, FOR IN MOLD MODIFICATION.
- ② INTERIOR INSERT AREA, FOR IN MOLD MODIFICATION.
- ③ END INSERT AREA, FOR IN MOLD MODIFICATION. TYP, BOTH ENDS.

BELT CLIP OPTIONAL



INCHES
[MM]

PACNTEC®
1-610-361-4200

JM24 & JM24-BC

VISIT **PACNTEC®**
ON THE WORLD WIDE WEB
www.pactecenclosures.com

COLOR / MATERIAL CODE	
CDLDR	94HB 94VD
BLACK	000 028
P.C.BDNE	039 060

DRAWING NUMBER	REV
71033	B