



[Custom
Molded
Rubber](#)



[Custom
Colors!!](#)

[Home](#)

[About PacTec](#)

[Contact Us](#)

Login

[Click Here to Register](#)

Username

Password

[Forget your login info?](#)

[View Cart \(0\)](#)

[Advanced Search](#)

[Connector Search](#)

News

Sign up for our latest news and new product updates!

Email:



[Custom Colors!!](#)



[Free Samples of
New Products Available!](#)



HRP

External Dimensions: 5.4 x 3.2 x 0.9 in.

PCB Dimensions: 4.9 x 2.7 x 0.9 in.

Colors: Black
PC Bone

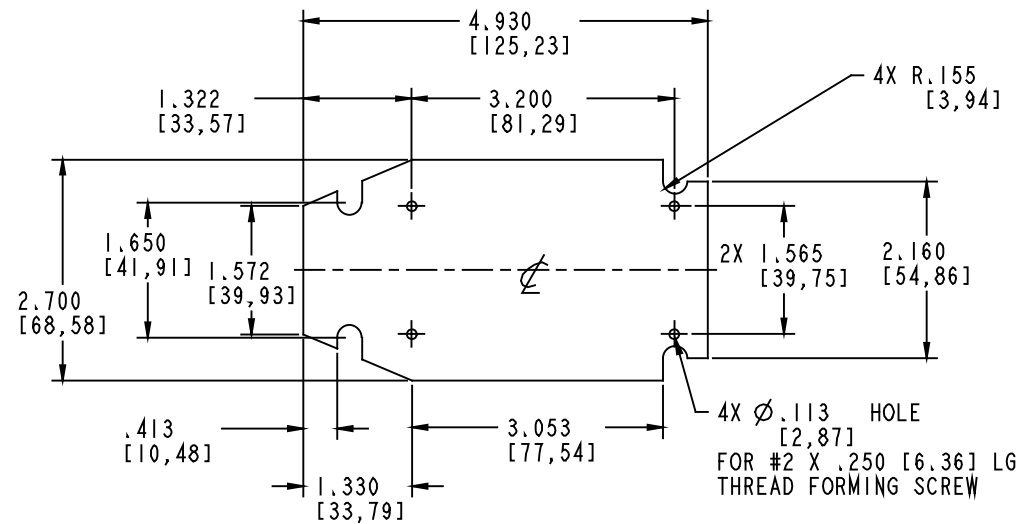
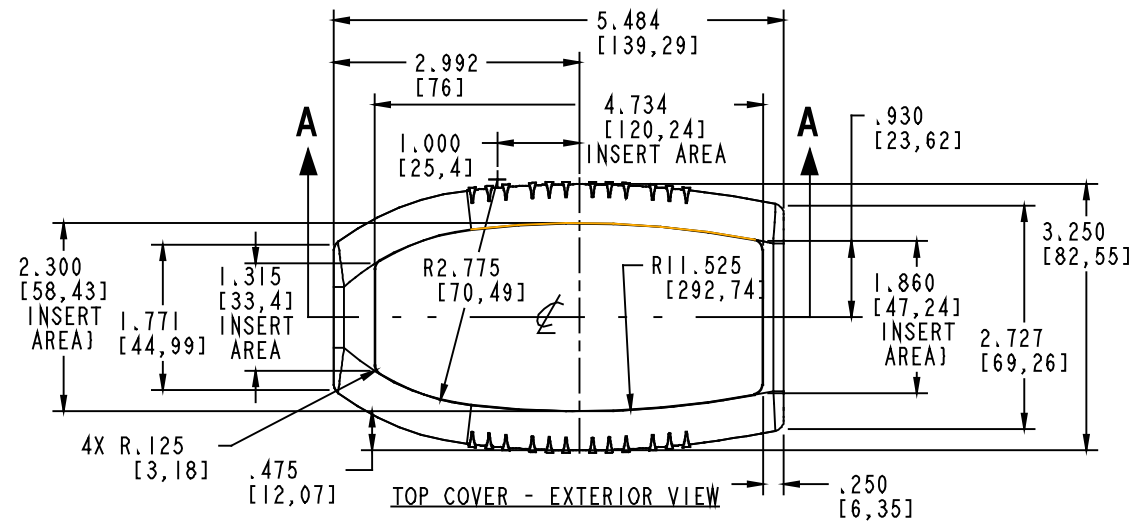
Materials: ABS-94HB
[Material Specs](#)

Components:

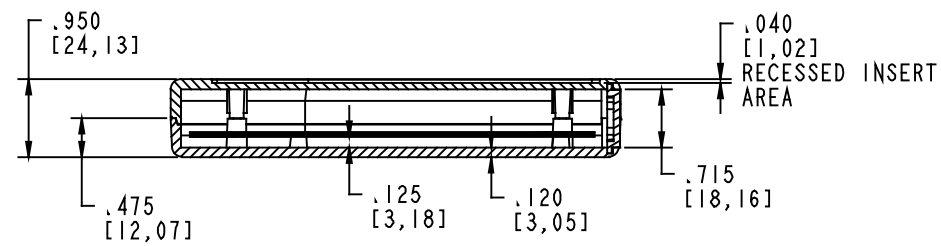
- Top and Bottom Covers
- Assembly Screws
- 1 Panel

 [Add To Cart](#)

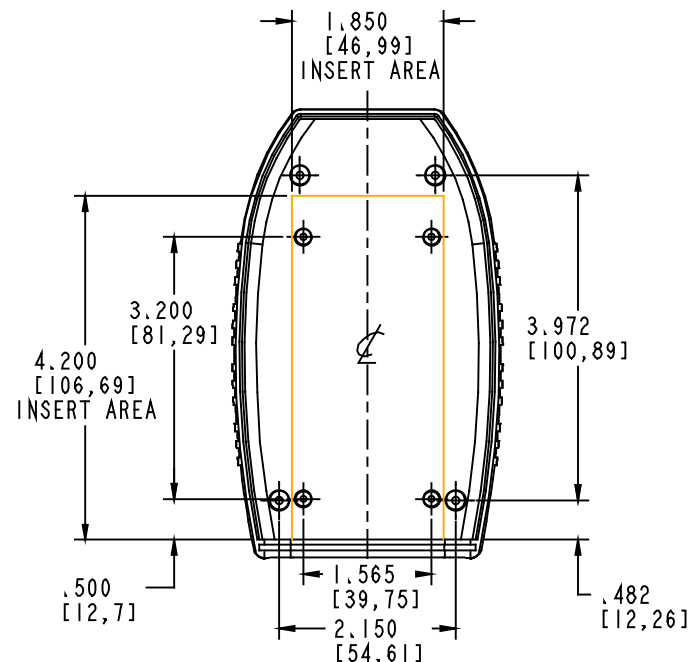




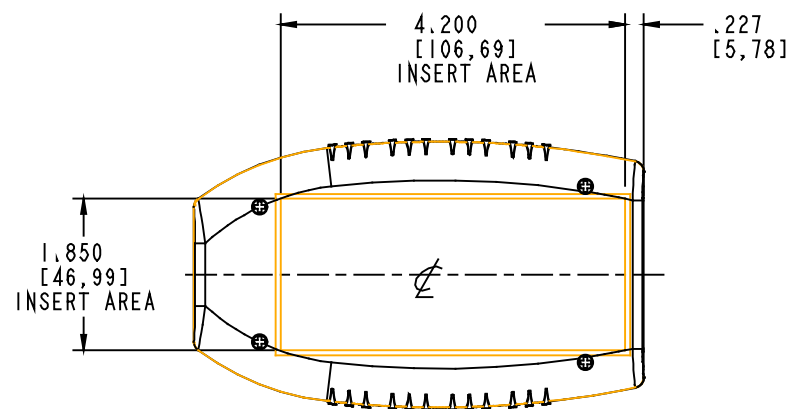
MAX. RECOMMENDED
PC BOARD SIZE
(NOT INCLUDED)



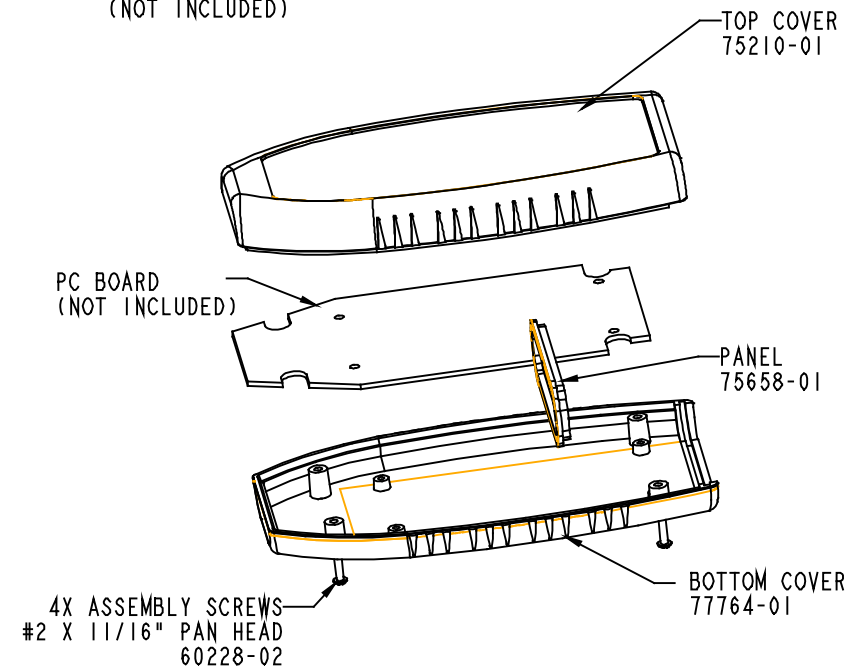
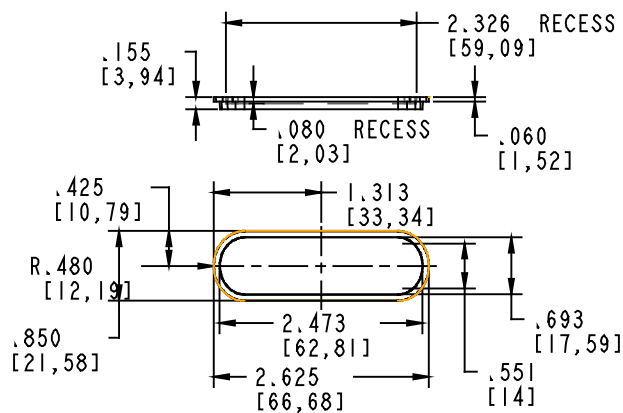
SECTION A-A



BOTTOM COVER - INTERIOR VIEW



BOTTOM COVER - EXTERIOR VIEW



PACITEC[®]
1-610-361-4200

HRP

VISIT **PACITEC**[®]
ON THE WORLD WIDE WEB
www.pacitecenclosures.com

COLOR / MATERIAL CODE		
COLOR	94HB	94VO
BLACK	000	028
P.C.BONE	039	060

DRAWING NUMBER	REV
80072	C