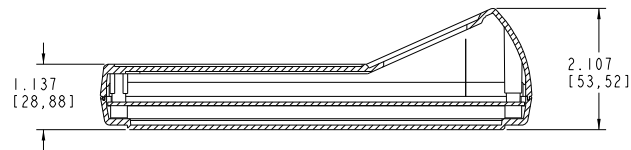
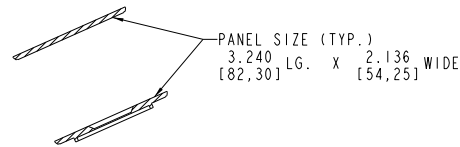
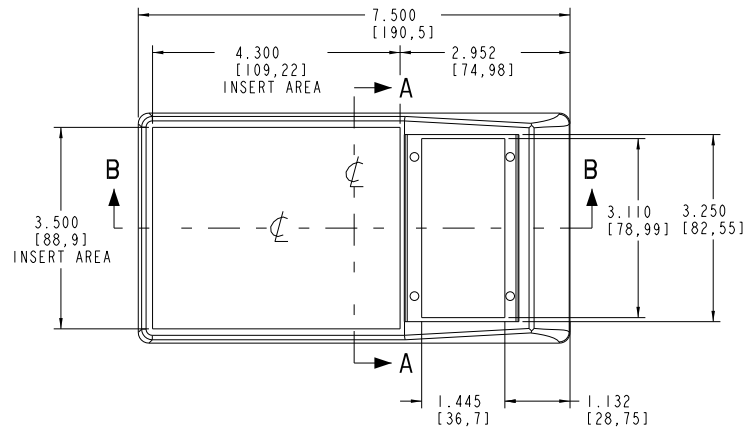
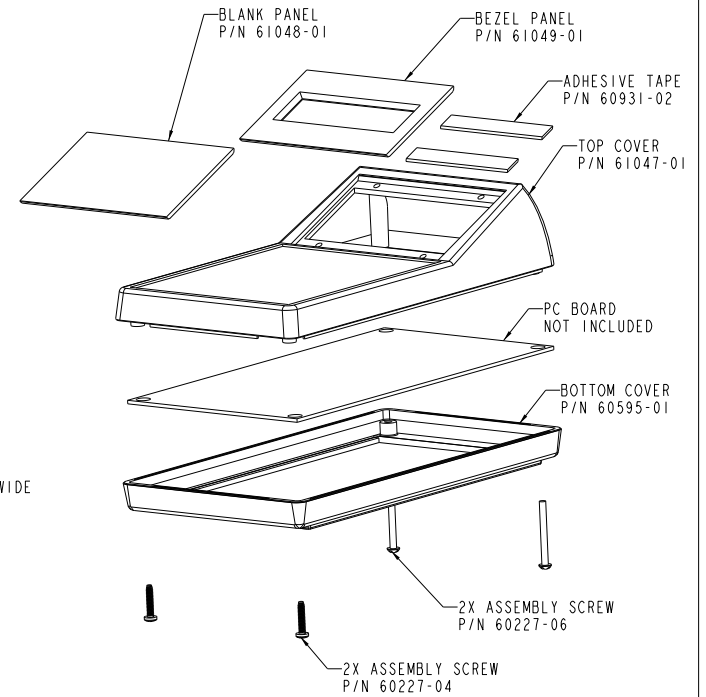
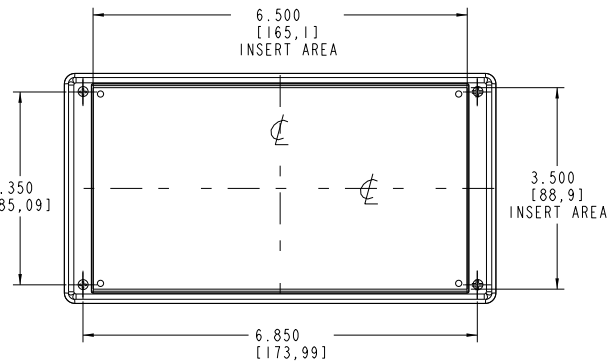
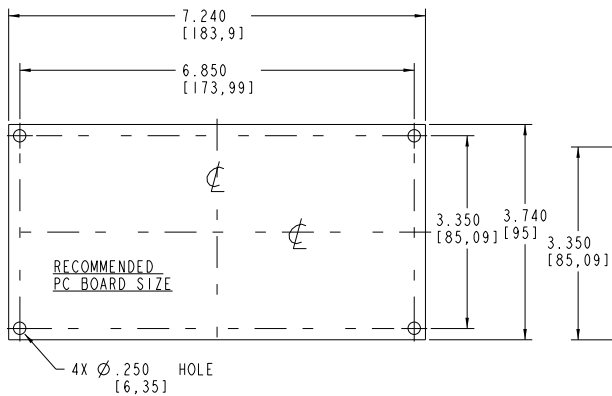


SECTION A-A



SECTION B-B



**PACNTEC®**  
1-610-361-4200

**HPLS**

VISIT **PACNTEC®**  
ON THE WORLD WIDE WEB  
[www.pactecenclosures.com](http://www.pactecenclosures.com)

COLOR / MATERIAL CODE		
COLOR	94HB	94VO
BLACK	000	028
P.C. BONE	039	060

DRAWING NUMBER	REV
61638	B