



[Custom
Molded
Rubber](#)



[Custom
Colors!!](#)

[Home](#)

[About PacTec](#)

[Contact Us](#)

Login

[Click Here to Register](#)

Username

Password

[Forget your login info?](#)

[View Cart \(0\)](#)

[Advanced Search](#)

[Connector Search](#)

News

Sign up for our latest news and new product updates!

Email:



[Custom Colors!!](#)



[Free Samples of
New Products Available!](#)



HP-9VB

External Dimensions: 5.7 x 3.6 x 1.2 in.

PCB Dimensions: 5.2 x 3.1 x 1.2 in.

Colors: Black
PC Bone

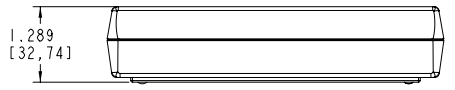
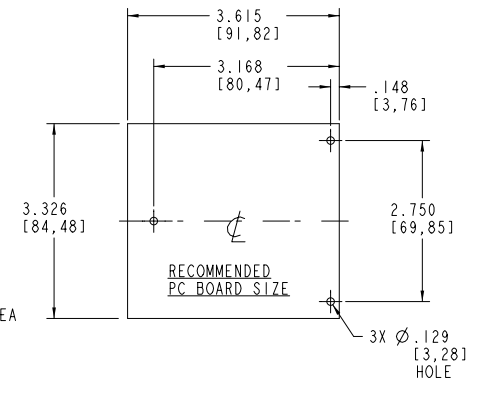
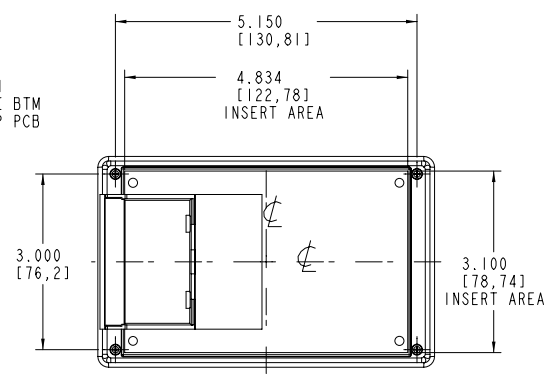
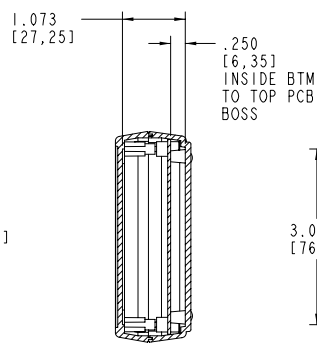
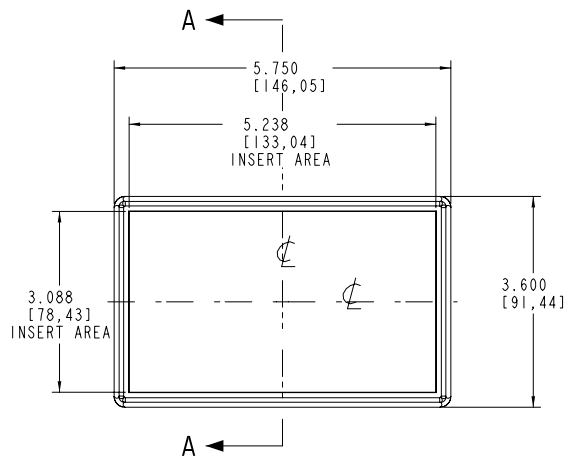
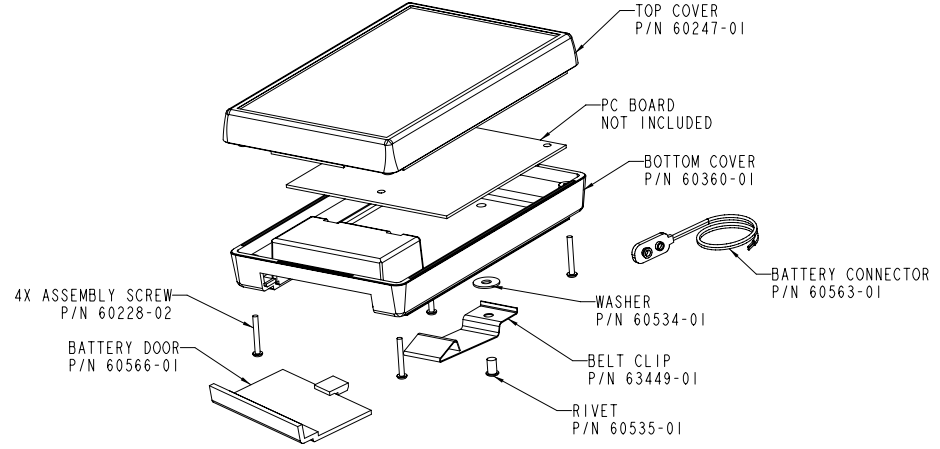
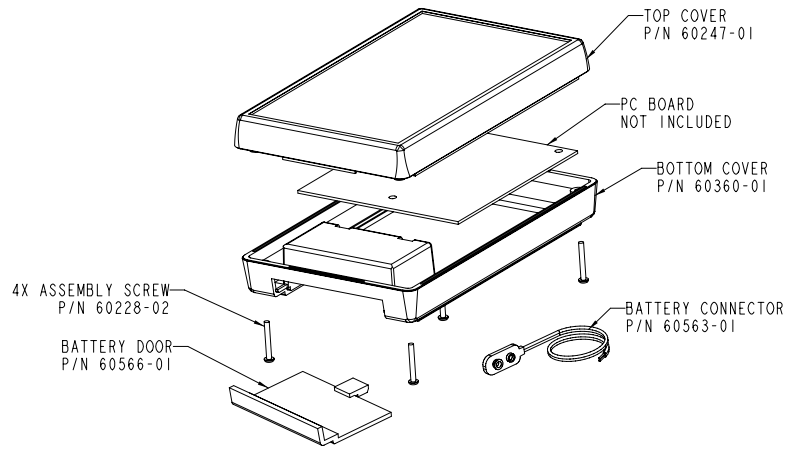
Materials: ABS-94HB
[Material Specs](#)

Components:

- Top and Bottom Covers
- Assembly Screws
- Battery Lead

 [Add To Cart](#)





SECTION A-A

PACNTEC®
1-610-361-4200

HP-9VB, HP-9VB-BC

VISIT **PACNTEC®**
ON THE WORLD WIDE WEB
www.pactecenclosures.com

COLOR / MATERIAL CODE		
COLOR	94HB	94VO
BLACK	000	028
P. C. BONE	039	060

DRAWING NUMBER	REV
60429	C