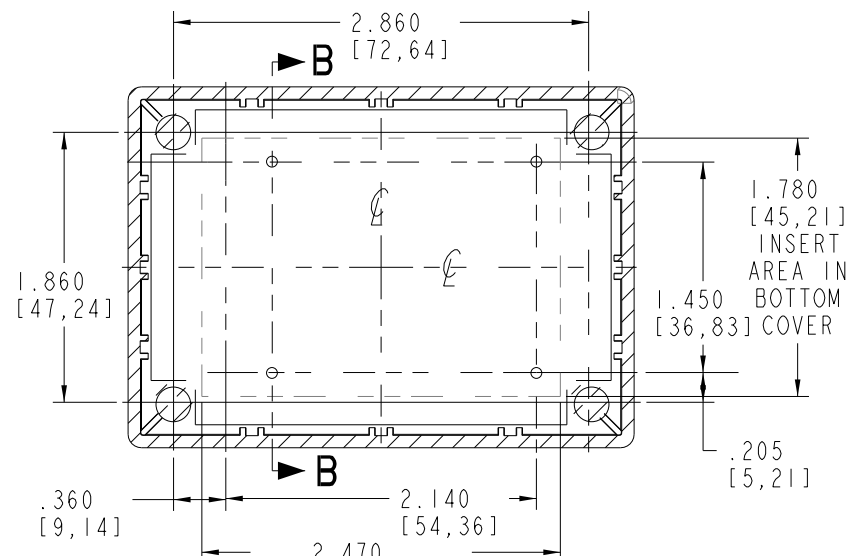
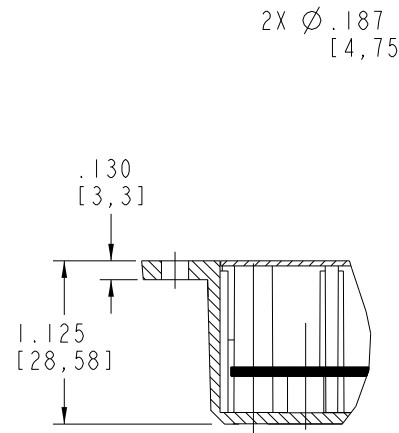


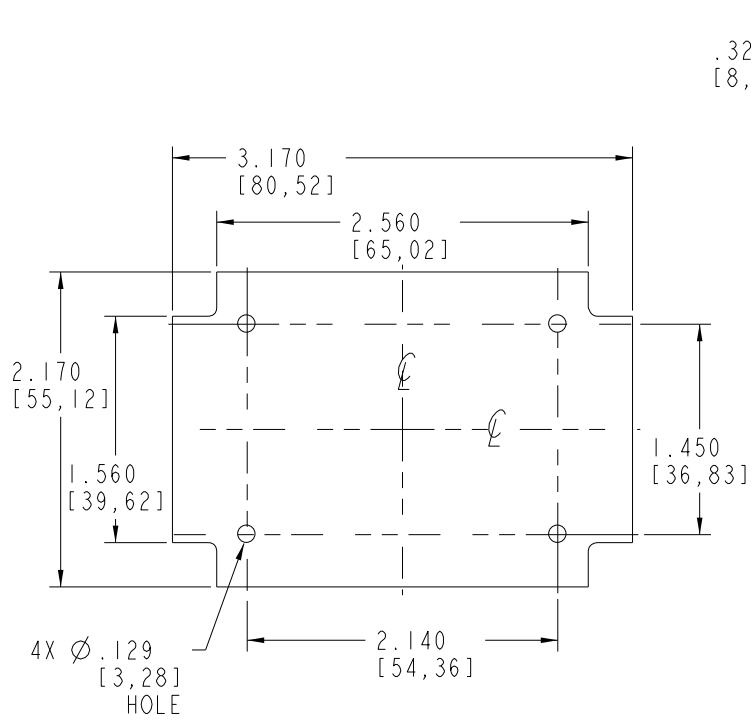
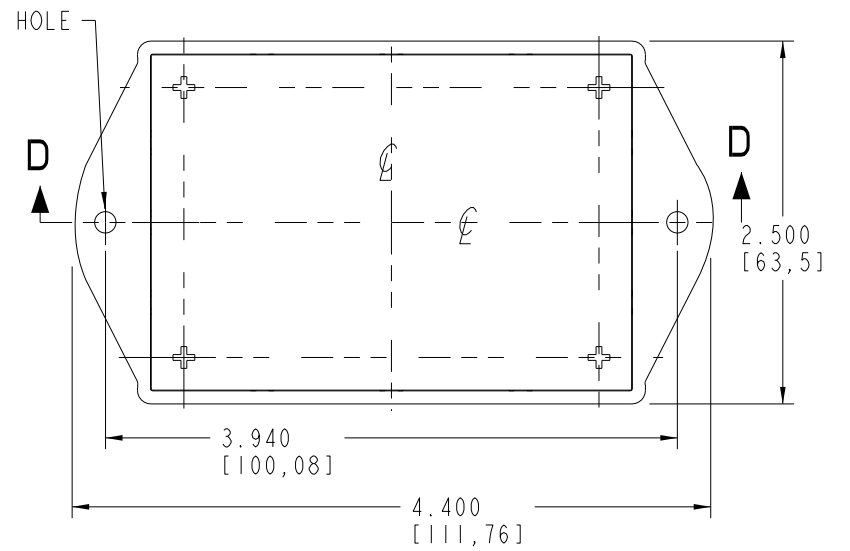
**SECTION B-B**



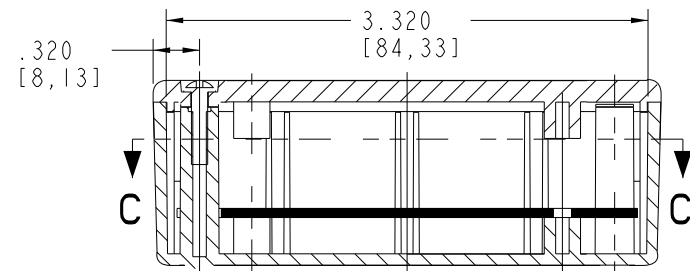
**SECTION C-C**



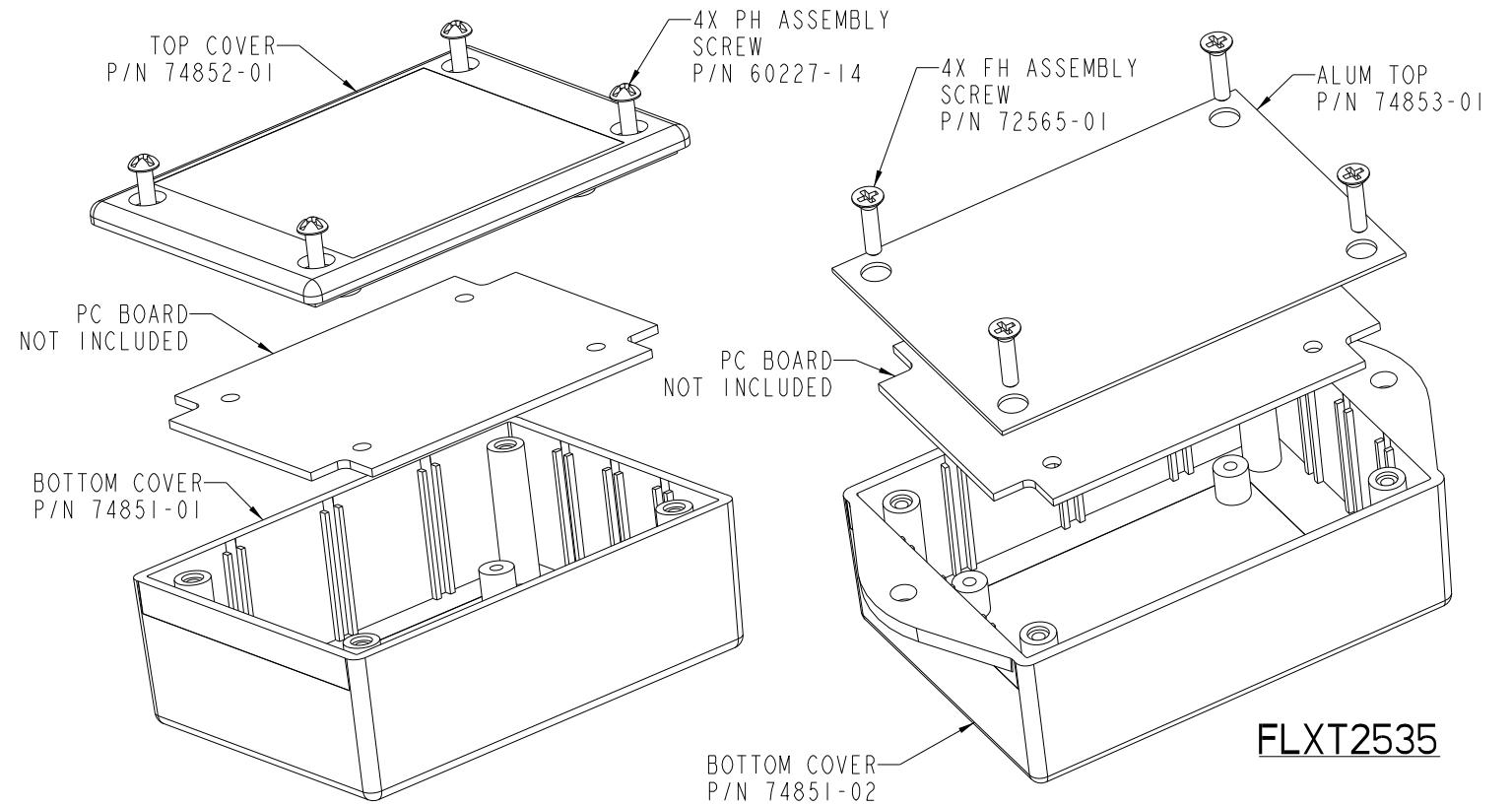
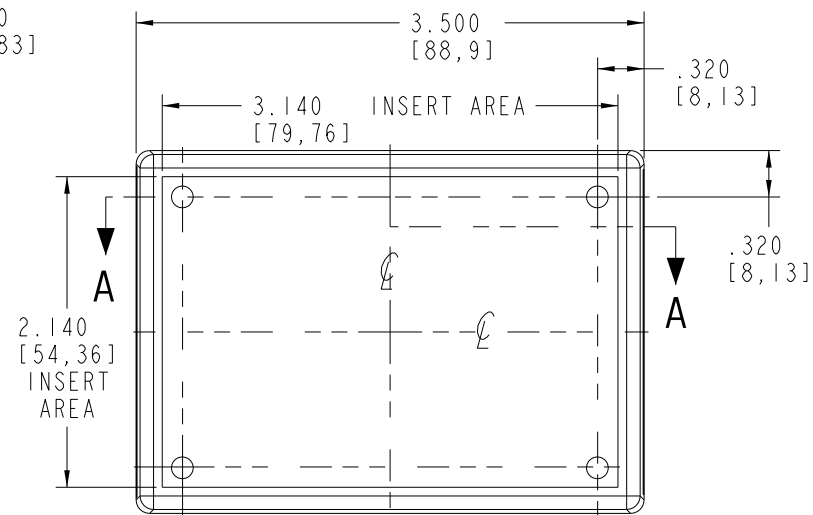
**SECTION D-D**



**RECOMMENDED PCB LAYOUT**



**SECTION A-A**



**FLX2535**

**FLXT2535**

**PACINTEC®**  
 1-610-361-4200  
**FLX2535**  
**FLXT2535**

VISIT **PACINTEC®**  
 ON THE WORLD WIDE WEB  
[www.pactecenclosures.com](http://www.pactecenclosures.com)

COLOR / MATERIAL CODE		
COLOR	94HB	94VO
BLACK	000	028
P.C.BONE	039	060

DRAWING NUMBER	REV
74978	B