



[Custom
Molded
Rubber](#)



[Custom
Colors!!](#)

[Home](#)

[About PacTec](#)

[Contact Us](#)

Login

[Click Here to Register](#)

Username

Password

[Forget your login info?](#)

[View Cart \(0\)](#)

[Advanced Search](#)

[Connector Search](#)

News

Sign up for our latest news and new product updates!

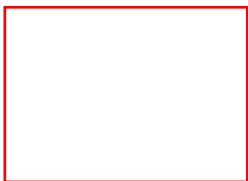
Email:



[Custom Colors!!](#)



[Free Samples of
New Products Available!](#)



CNM-0407

Colors:

Black
PC Bone

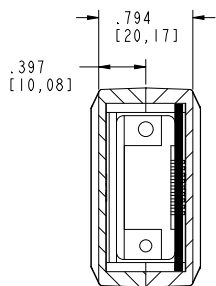
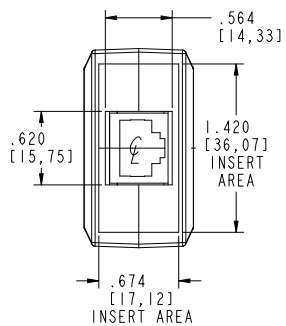
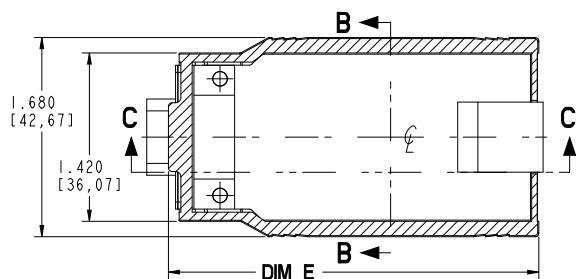
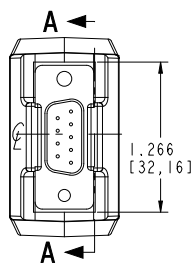
 [Add To Cart](#)

Materials:

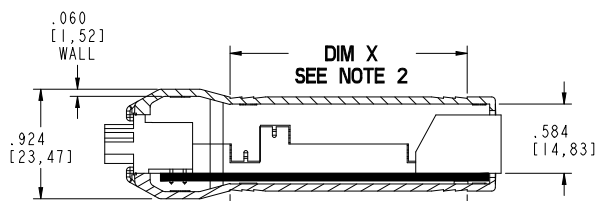
ABS-94HB
[Material Specs](#)

No Hardware Required

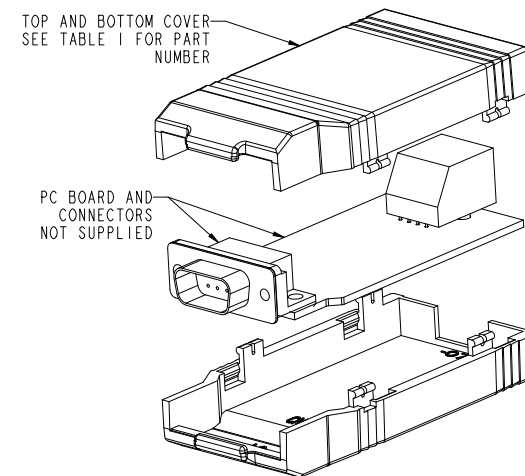




SECTION B-B



SECTION C-C



NOTES:

1. ACTUAL PCB LENGTH IS A PRODUCT OF THE CONNECTORS SELECTED.
2. DIM X & Y ARE TOP AND BOTTOM COVER INSERT AREA X 1.450 [36.83] WIDE.

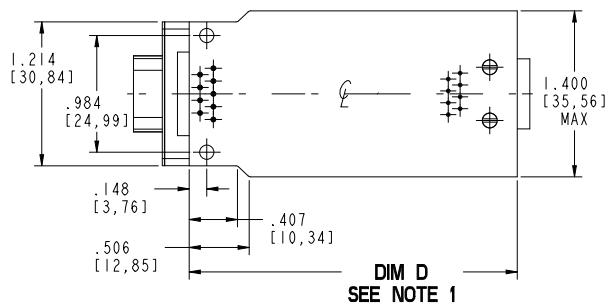
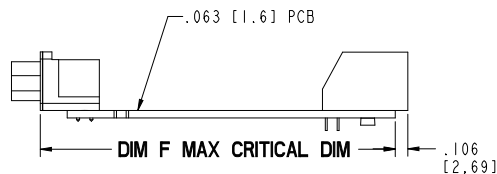


TABLE 1

CN SIZE	S	M	L
HOUSING PART NUMBER	CNS-0407	CNM-0407	CNL-0407
DIM D PCB SIZE	2.267 [57,58]	2.767 [70,28]	3.267 [82,98]
DIM E OVERALL SIZE	2.624 [66,65]	3.124 [79,35]	3.624 [92,05]
DIM F MAX CRITICAL DIM	2.494 [63,35]	2.994 [76,05]	3.494 [88,75]
DIM X & Y INSERT AREA	1.500 [38,10]	2.000 [50,80]	2.500 [63,50]

DB9 RIGHT ANGLE CONNECTOR OR DB15HD R ANGLE CONNECTOR TO RJ11/45 RIGHT ANGLE CONNECTOR

PACNTEC[®]
1-610-361-4200
CN-0407-SERIES
SEE TABLE 1

COLOR / MATERIAL CODE		
COLOR	94HB	94VO
BLACK	000	028
P.C.BONE	039	060

VISIT **PACNTEC**[®]
ON THE WORLD WIDE WEB
www.pactecenclosures.com

DRAWING NUMBER	REV
79583	B