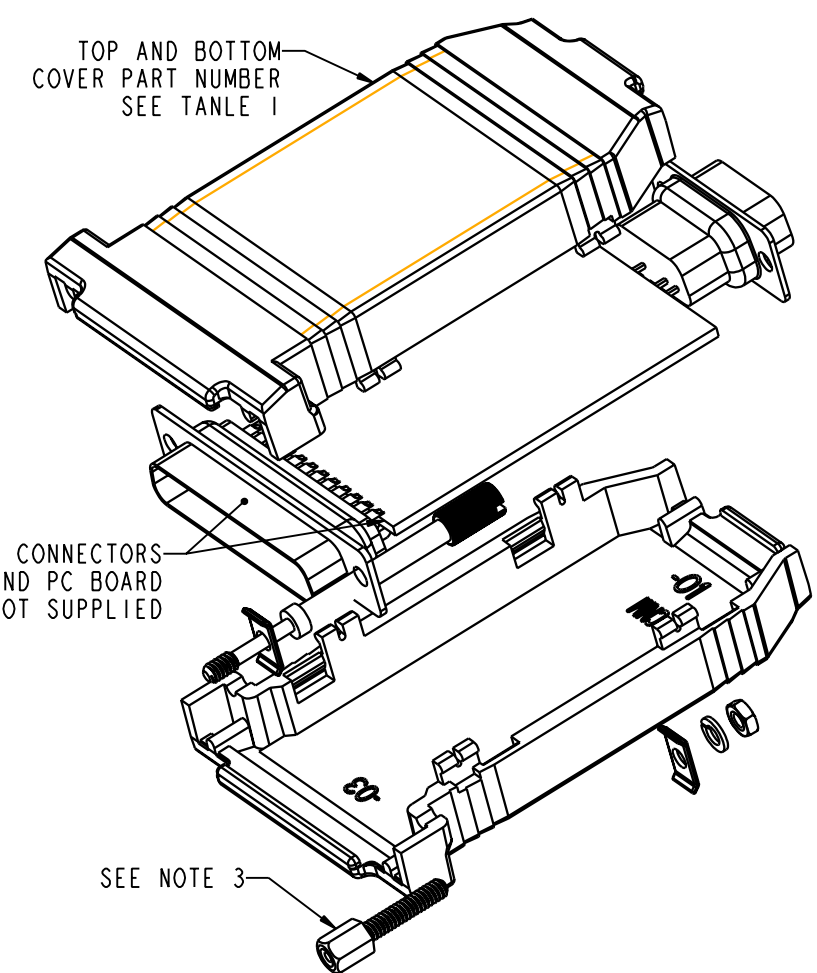
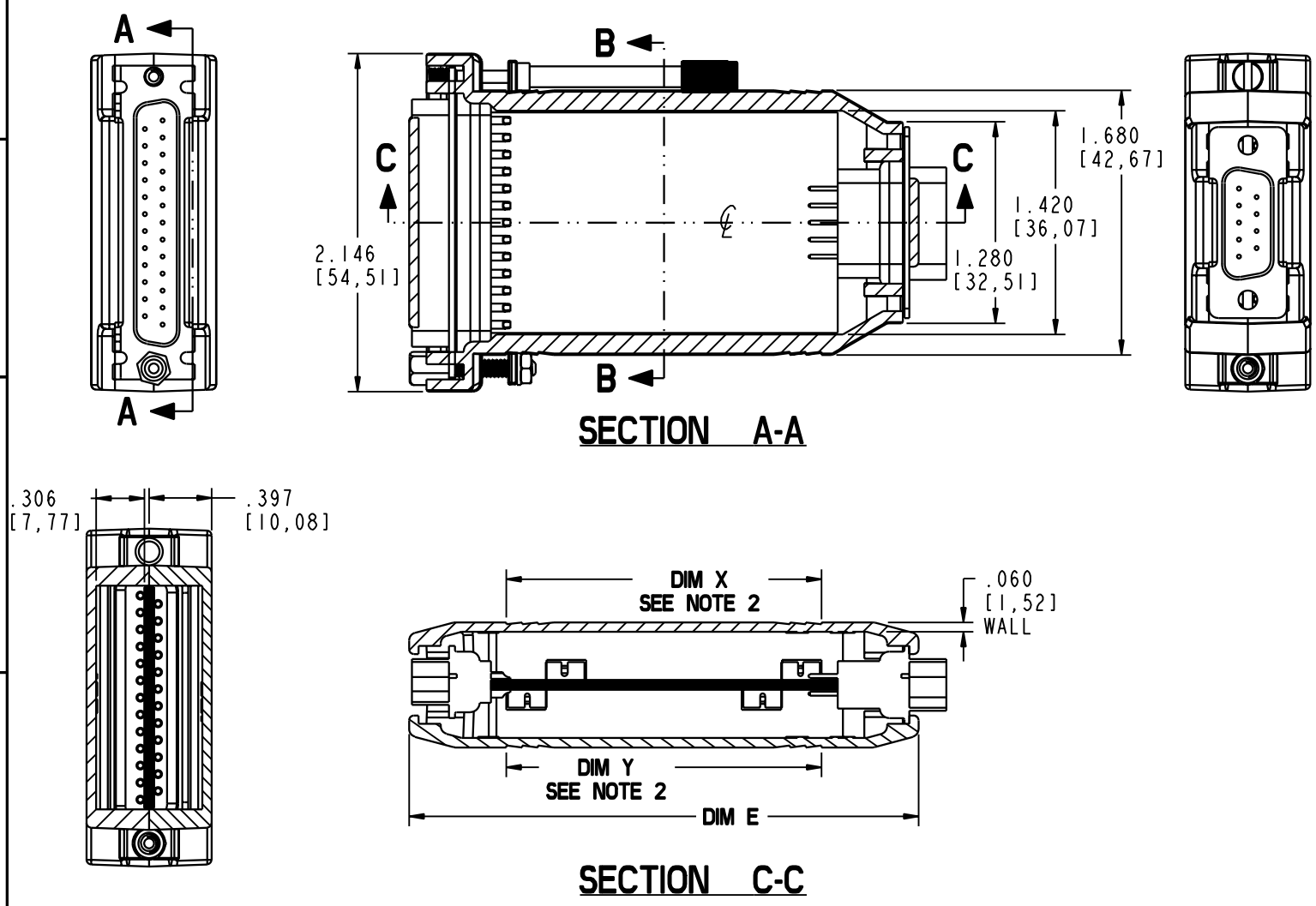
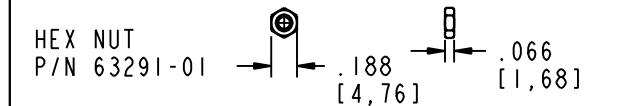
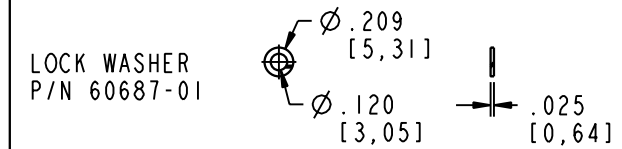
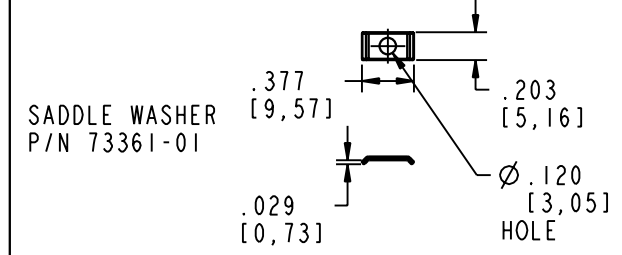
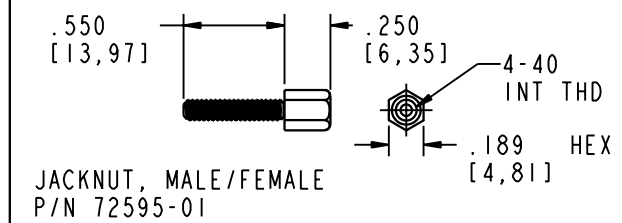
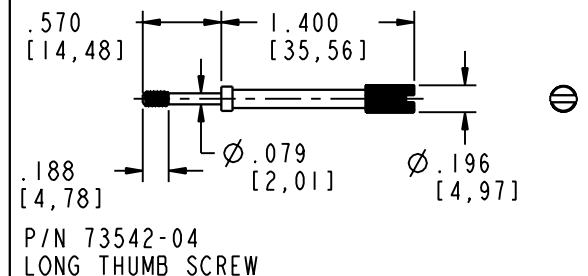
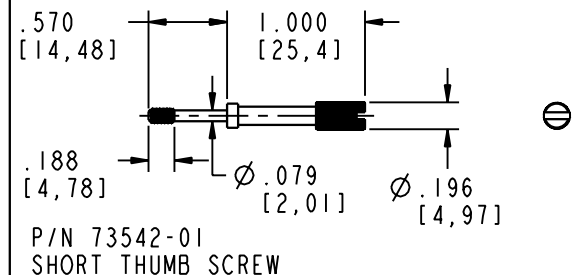
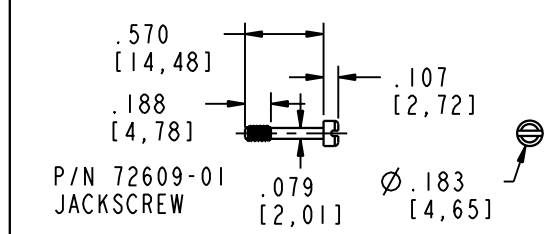


TABLE 2

ALL HARDWARE IS 4-40, ALL SCREWS AND THUMB SCREWS ARE CAPTIVE. THE JACK NUT IS NOT CAPTIVE AND THIS ITEM CAN BE THREADED INTO THE HOUSING, OR THE HOLE CAN BE ENLARGED.



- NOTES:
1. ACTUAL PCB LENGTH IS A PRODUCT OF THE CONNECTORS SELECTED.
 2. DIM X & Y ARE TOP AND BOTTOM COVER INSERT AREA X 1.450 [36,83] WIDE.
 3. HARDWARE TO BE ORDERED SEPARATE FROM TABLE 2 PER CUSTOMER SPECIFIC REQUIREMENTS.

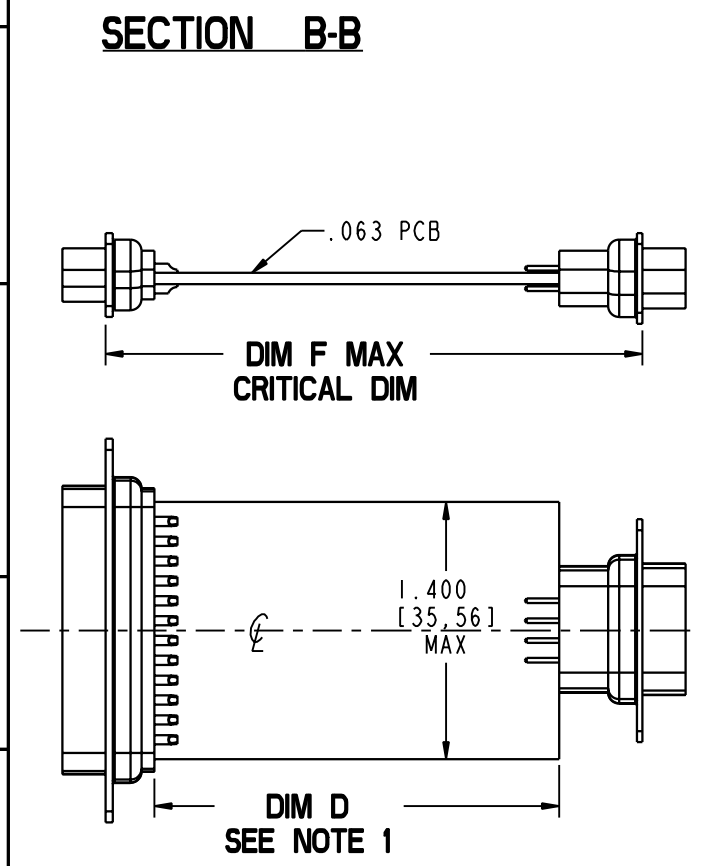


TABLE 1

| CN SIZE | S | M | L |
|------------------------|---------------|---------------|---------------|
| HOUSING PART NUMBER | CNS-0103 | CNM-0103 | CNL-0103 |
| DIM D PCB SIZE | SEE NOTE 1 | | |
| DIM E OVERALL SIZE | 2.734 [69,44] | 3.234 [82,14] | 3.734 [94,84] |
| DIM F MAX CRITICAL DIM | 2.610 [66,29] | 3.110 [79,01] | 3.610 [91,69] |
| DIM X & Y INSERT AREA | 1.500 [38,10] | 2.000 [50,80] | 2.500 [63,50] |

DB9 STRAIGHT CONNECTOR TO DB25 STRAIGHT CONNECTOR

PACINTEC[®]
1-610-361-4231

CN-0103-SERIES
SEE TABLE 1

VISIT **PACINTEC**[®]
ON THE WORLD WIDE WEB
www.pactecenclosures.com

| COLOR / MATERIAL CODE | | |
|-----------------------|------|------|
| COLOR | 94HB | 94VO |
| BLACK | 000 | 028 |
| P. C. BONE | 039 | 060 |