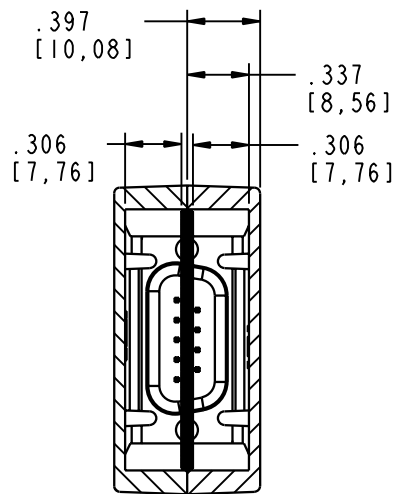
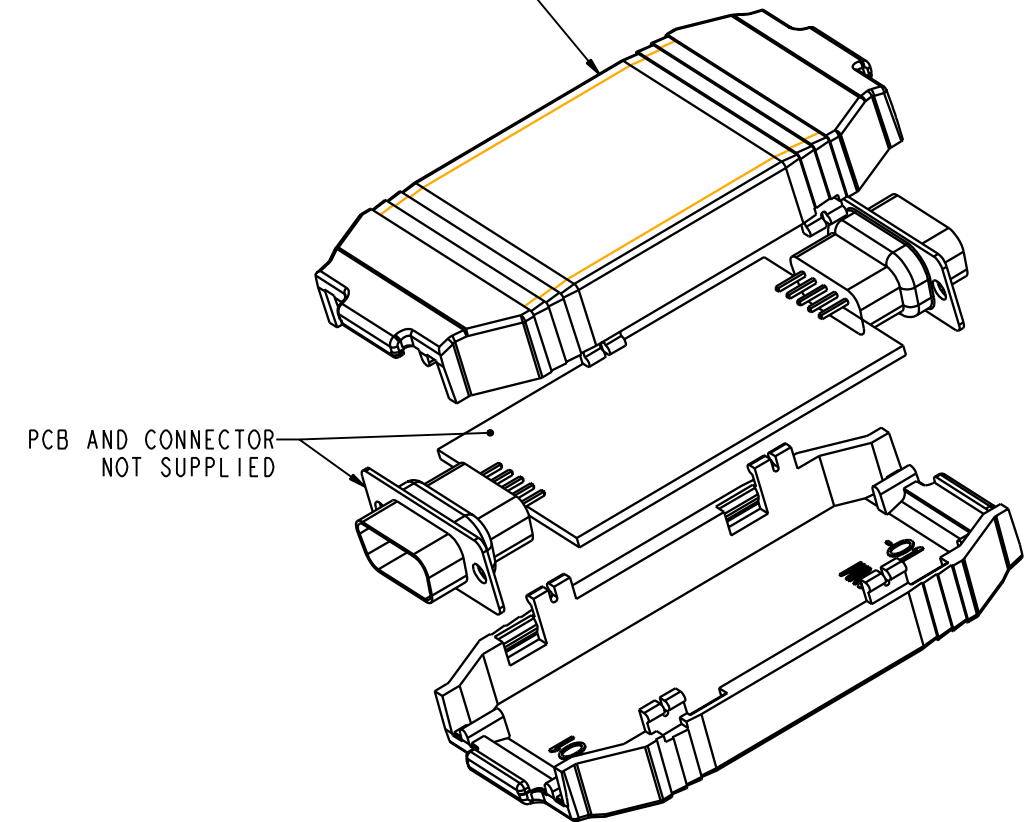
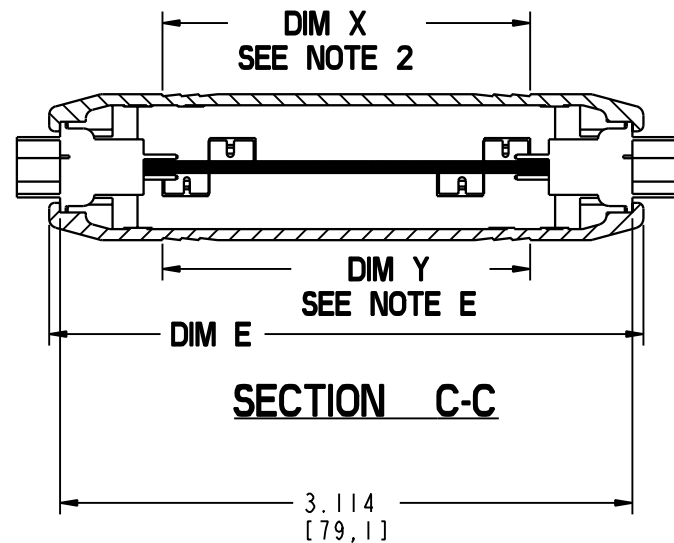


TOP AND BOTTOM COVER
SEE TABLE 1 FOR P/N



SECTION B-B



SECTION C-C

NOTES:

1. ACTUAL PCB LENGTH IS A PRODUCT OF THE CONNECTORS SELECTED.
2. DIM X AND Y ARE TOP AND BOTTOM COVER INSERT AREA X 1.450 [36,83] WIDE.

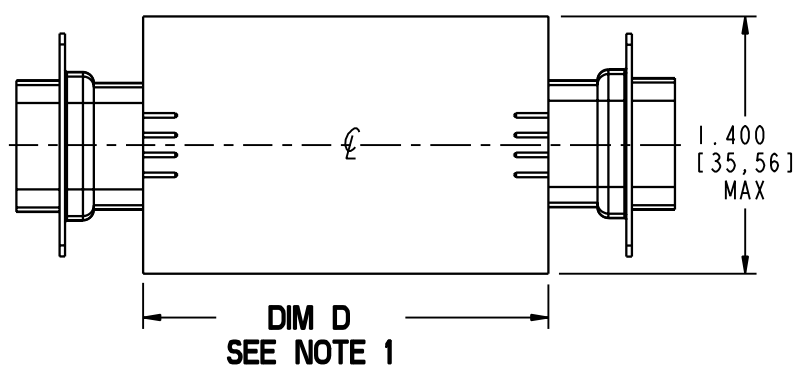
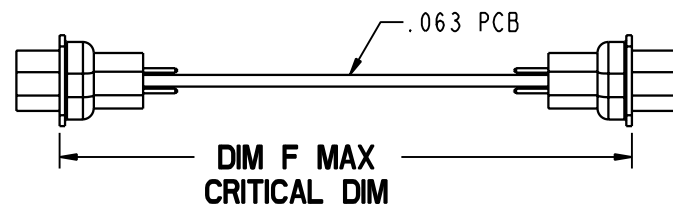


TABLE 1

CN SIZE	S	M	L
HOUSING PART NUMBER	CNS-0101	CNM-0101	CNL-0101
DIM D PCB SIZE	SEE NOTE 1		
DIM E OVERALL SIZE	2.734 [69,44]	3.234 [82,14]	3.734 [94,84]
DIM F MAX CRITICAL SIZE	2.610 [66,29]	3.110 [79,0]	3.610 [91,69]
DIM X & Y INSERT AREA	1.500 [38,10]	2.000 [50,80]	2.500 [63,50]

DB9 OR DB15-HD STRAIGHT
CONNECTOR TO DB9 OR
DB15-HD STRAIGHT CONNECTOR

PACINTEC[®]
1-610-361-4231

CN-0101 SERIES
SEE TABLE 1

VISIT **PACINTEC**[®]
ON THE WORLD WIDE WEB
www.pactecenclosures.com

COLOR / MATERIAL CODE		
COLOR	94HB	94VO
BLACK	000	028
P. C. BONE	039	060