



[Custom
Molded
Rubber](#)



[Custom
Colors!!](#)

[Home](#)

[About PacTec](#)

[Contact Us](#)

Login

[Click Here to Register](#)

Username

Password

[Forget your login info?](#)

[View Cart \(0\)](#)

[Advanced Search](#)

[Connector Search](#)

News

Sign up for our latest news and new product updates!

Email:

CM86-175

External Dimensions: 6.2 x 8.1 x 2.1 in.

PCB Dimensions: 5.7 x 7.6 x 2.1 in.

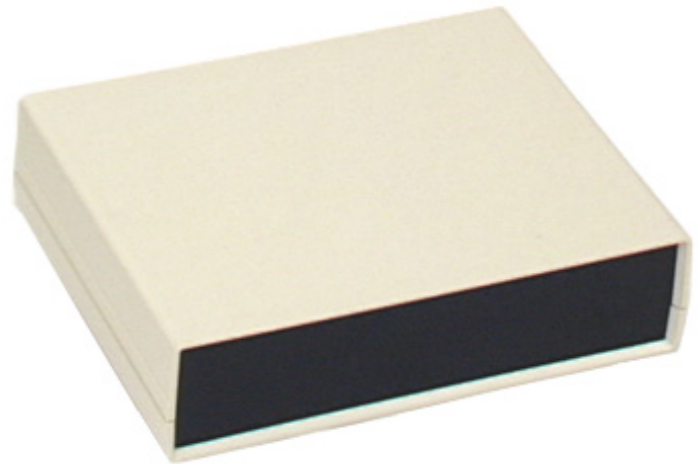
Colors: Black
PC Bone

Materials: ABS-94HB
[Material Specs](#)

Components:

- Top and Bottom Covers
- Assembly Screws
- 2 Panels (Black Only)
- 4 Feet

 [Add To Cart](#)

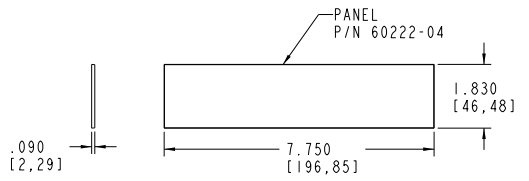
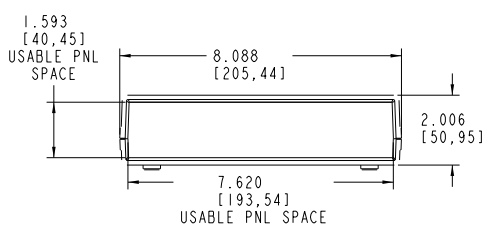
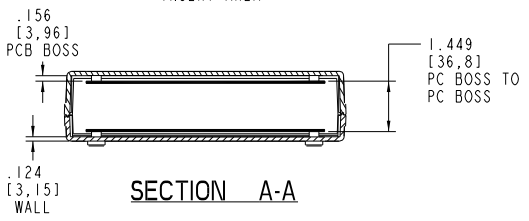
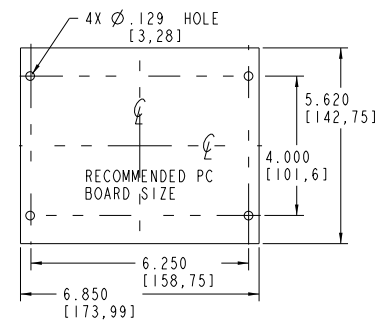
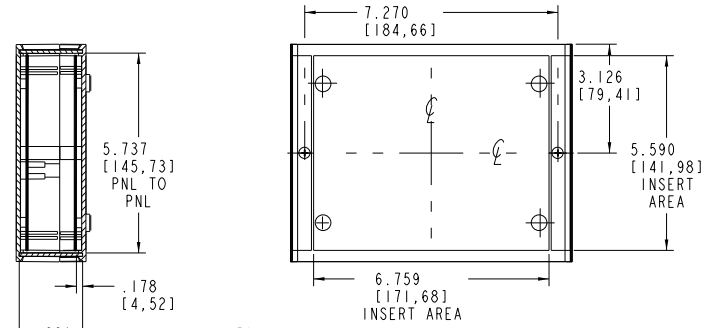
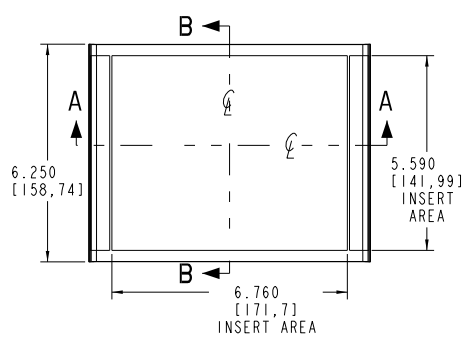
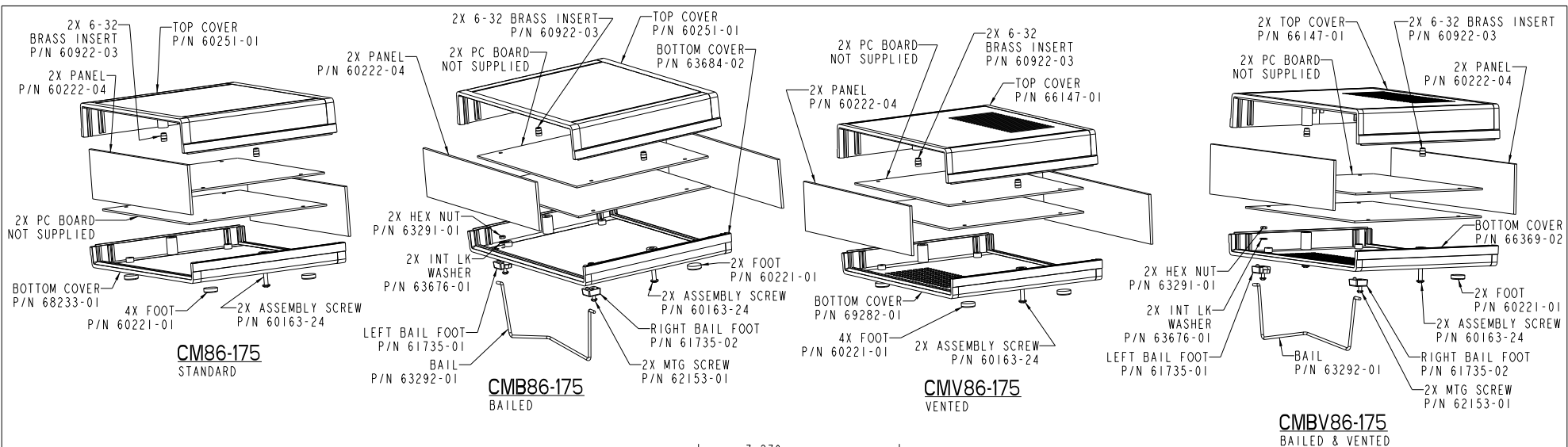


[Custom Colors!!](#)



[Free Samples of
New Products Available!](#)





PACINTEC®
1-610-361-4200

CM86-175 SERIES

VISIT **PACINTEC®**
ON THE WORLD WIDE WEB
www.pactecenclosures.com

COLOR / MATERIAL CODE	
COLOR	94HB 94VO
BLACK	000 028
P.C.BONE	039 060

DRAWING NUMBER	REV
60226	D