



[Custom
Molded
Rubber](#)



[Custom
Colors!!](#)

[Home](#)

[About PacTec](#)

[Contact Us](#)

Login

[Click Here to Register](#)

Username

Password

[Forget your login info?](#)

[View Cart \(0\)](#)

[Advanced Search](#)

[Connector Search](#)

News

Sign up for our latest news and new product updates!

Email:



[Custom Colors!!](#)



[Free Samples of
New Products Available!](#)



CM69-240

External Dimensions: 9.5 x 6.3 x 2.5 in.

PCB Dimensions: 9 x 5.8 x 2.5 in.

Colors: Black
PC Bone

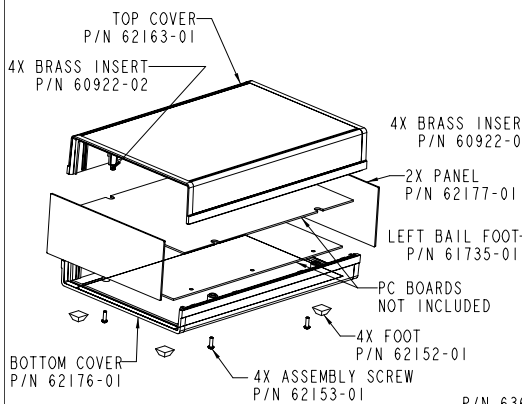
Materials: ABS-94HB
[Material Specs](#)

Components:

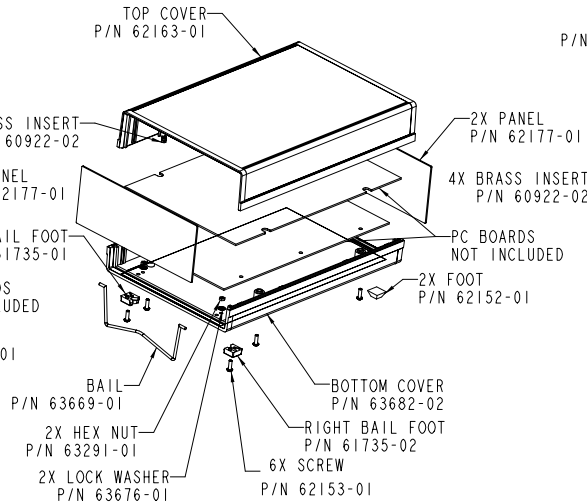
- Top and Bottom Covers
- Assembly Screws
- 2 Panels (Black Only)
- 4 Feet

 [Add To Cart](#)

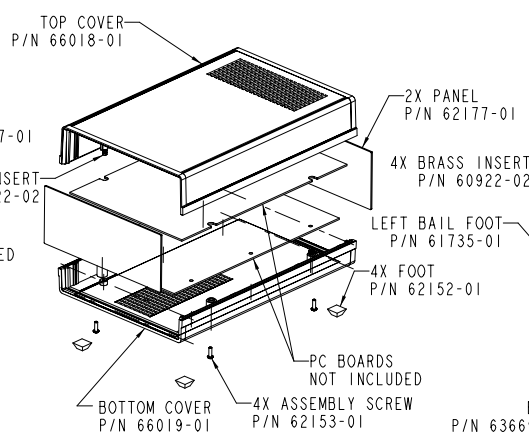




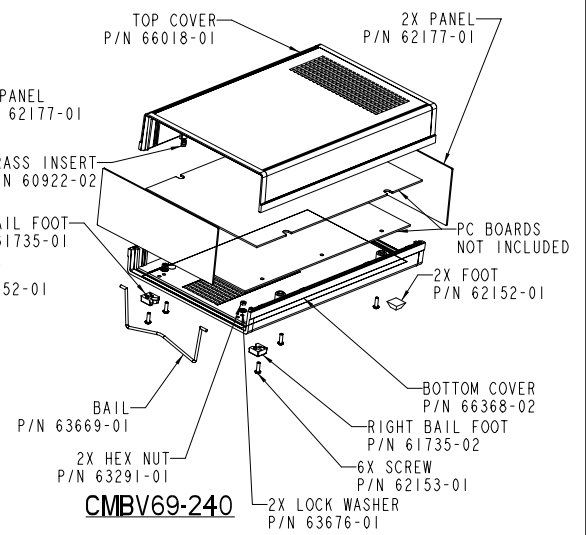
CM69-240



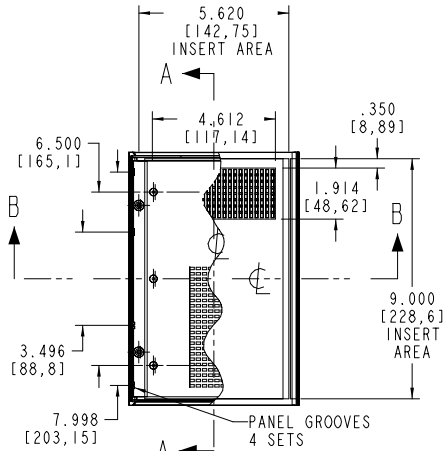
CMB69-240



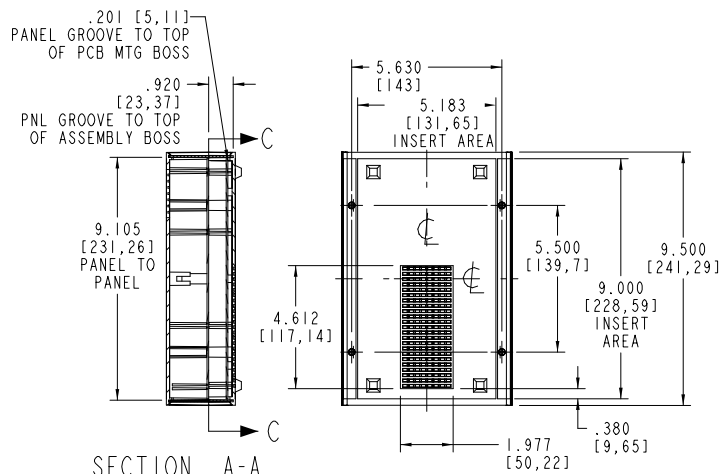
CMV69-240



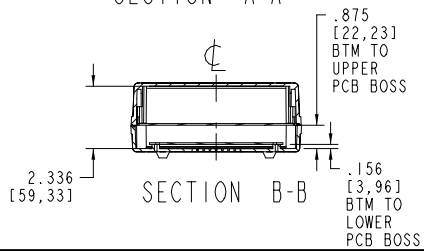
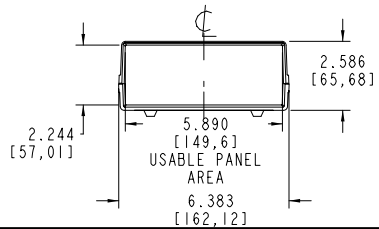
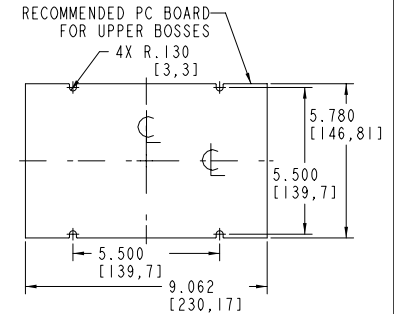
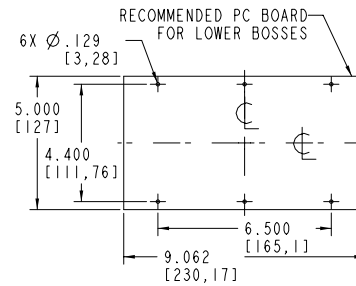
CMBV69-240



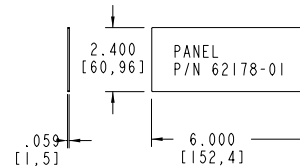
SECTION C-C



SECTION A-A



SECTION B-B



PACNTEC®
1-610-361-4200

CM69-240, CMB69-240
CMV69-240, CMBV69-240

VISIT **PACNTEC®**
ON THE WORLD WIDE WEB
www.pactecenclosures.com

COLOR / MATERIAL CODE	
COLOR	94HB 94YO
BLACK	000 028
P.C.BONE	039 060

DRAWING NUMBER	REV
79395	D