



[Custom  
Molded  
Rubber](#)



[Custom  
Colors!!](#)

[Home](#)

[About PacTec](#)

[Contact Us](#)

## Login

[Click Here to Register](#)

Username

Password

[Forget your login info?](#)

[View Cart \(0\)](#)

[Advanced Search](#)

[Connector Search](#)

## News

Sign up for our latest news and new product updates!

**Email:**

## CM6-300

**External Dimensions: 6.2 x 6.1 x 3.2 in.**

**PCB Dimensions: 5.7 x 5.6 x 3.2 in.**

**Colors:** Black  
PC Bone

**Materials:** ABS-94HB  
[Material Specs](#)

### Components:

- Top and Bottom Covers
- Assembly Screws
- 2 Panels (Black Only)
- 4 Feet

 [Add To Cart](#)

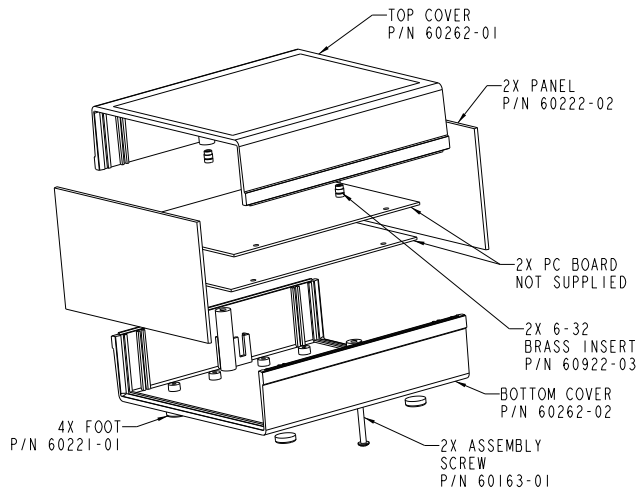


[Custom Colors!!](#)

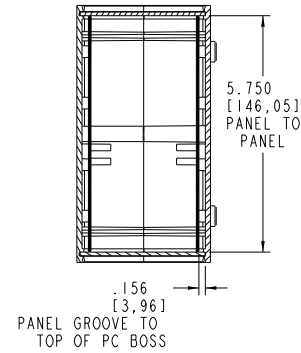
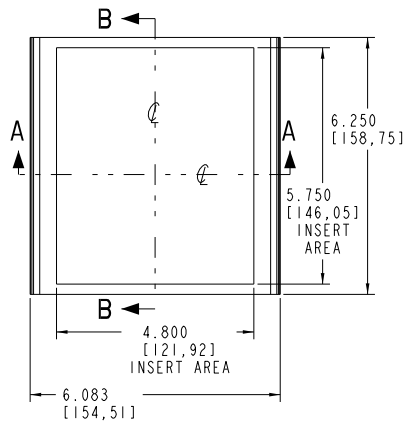


[Free Samples of  
New Products Available!](#)

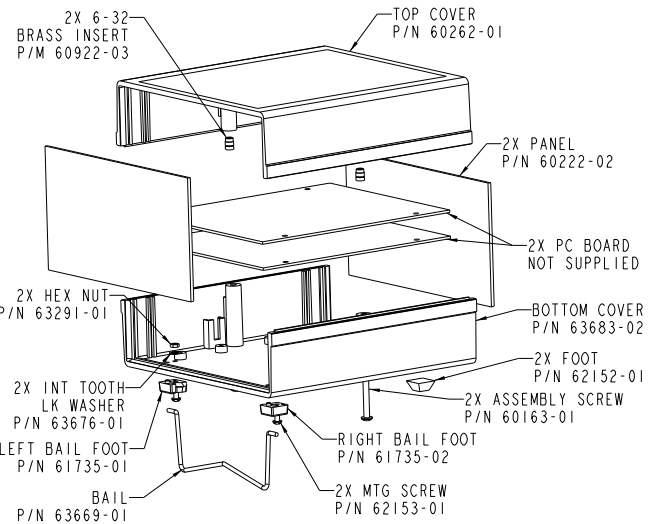
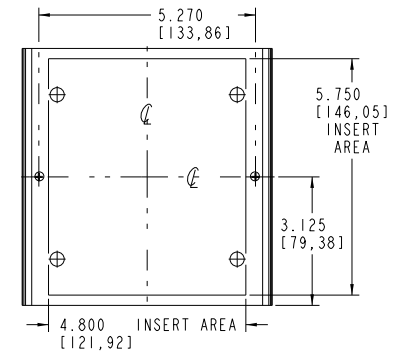




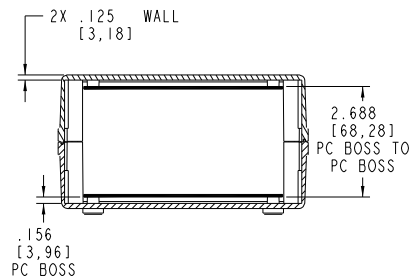
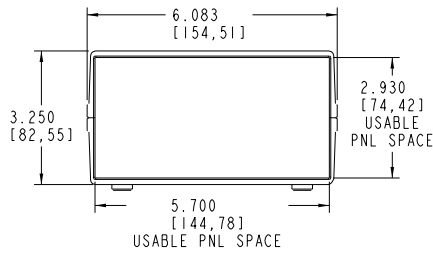
**CM6-300**



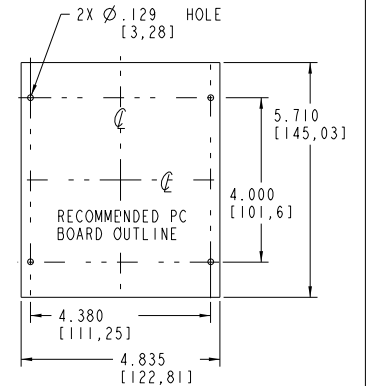
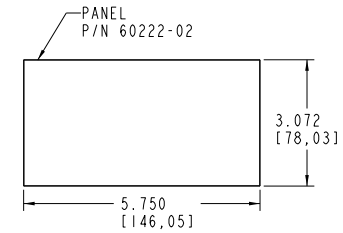
**SECTION B-B**



**CMB6-300**



**SECTION A-A**



**PACINTEC®**

1-610-361-4200

**CM6-300 & CMB6-300**

VISIT **PACINTEC®**  
ON THE WORLD WIDE WEB  
[www.pacintecenclosures.com](http://www.pacintecenclosures.com)

COLOR / MATERIAL CODE	
COLOR	94HB 94VO
BLACK	000 028
P.C. BONE	039 060

DRAWING NUMBER	REV
79332	B