



[Custom
Molded
Rubber](#)



[Custom
Colors!!](#)

[Home](#)

[About PacTec](#)

[Contact Us](#)

Login

[Click Here to Register](#)

Username

Password

[Forget your login info?](#)

[View Cart \(0\)](#)

[Advanced Search](#)

[Connector Search](#)

News

Sign up for our latest news and new product updates!

Email:



[Custom Colors!!](#)



[Free Samples of
New Products Available!](#)



CM6-150

External Dimensions: 6.2 x 6.1 x 1.7 in.

PCB Dimensions: 5.7 x 5.6 x 1.7 in.

Colors: Black
PC Bone

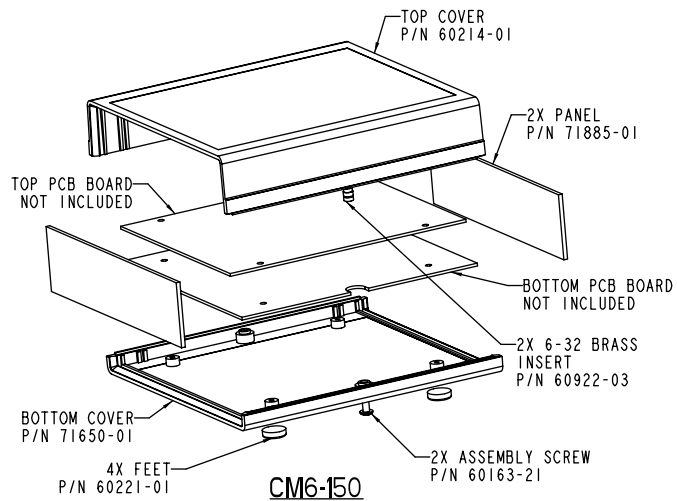
Materials: ABS-94HB
[Material Specs](#)

Components:

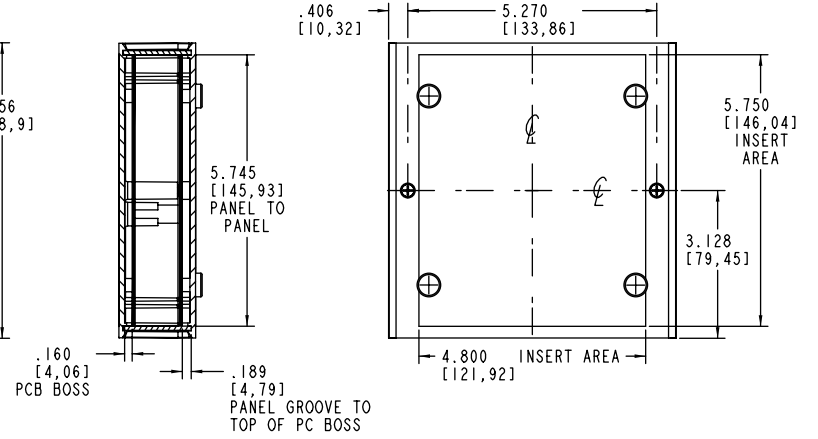
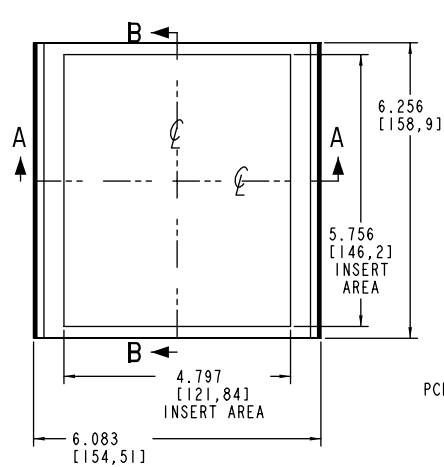
- Top and Bottom Covers
- Assembly Screws
- 2 Panels (Black Only)
- 4 Feet

[View Drawing](#)

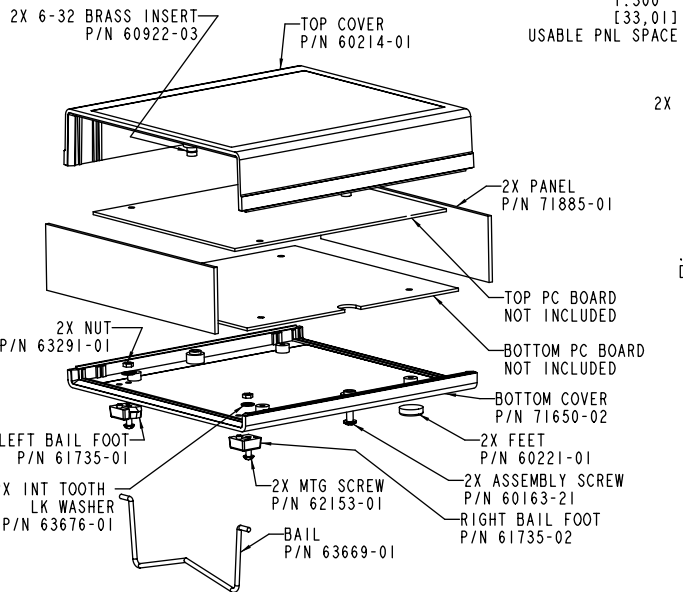




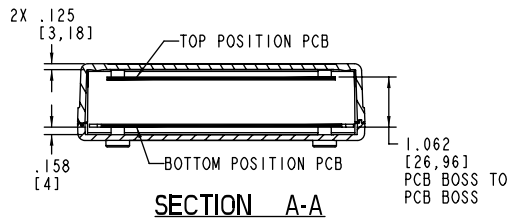
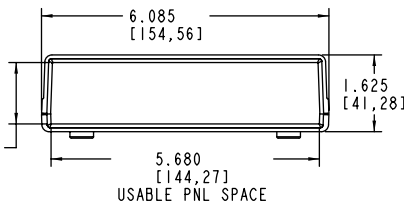
CM6-150



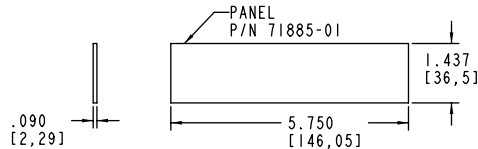
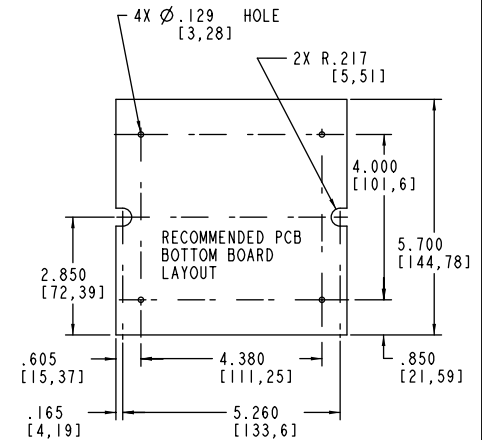
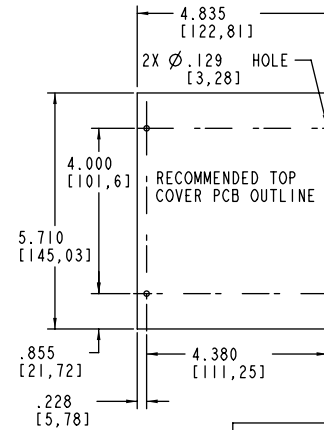
SECTION B-B



CMB6-150



SECTION A-A



PACNTEC®
1-610-361-4200

CM6-150 & CMB6-150

VISIT **PACNTEC®**
ON THE WORLD WIDE WEB
www.pactecenclosures.com

COLOR / MATERIAL CODE		
COLOR	94HB	94VO
BLACK	000	028
P. C. BONE	039	060

DRAWING NUMBER	REV
60225	E