



[Custom
Molded
Rubber](#)



[Custom
Colors!!](#)

[Home](#)

[About PacTec](#)

[Contact Us](#)

Login

[Click Here to Register](#)

Username

Password

[Forget your login info?](#)

[View Cart \(0\)](#)

[Advanced Search](#)

[Connector Search](#)

News

Sign up for our latest news and new product updates!

Email:

CM5-125

External Dimensions: 5.2 x 5.1 x 1.5 in.

PCB Dimensions: 4.7 x 4.6 x 1.5 in.

Colors: Black
PC Bone

Materials: ABS-94HB
[Material Specs](#)

Components:

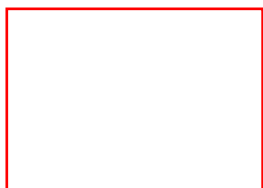
- Top and Bottom Covers
- Assembly Screws
- 2 Panels (Black Only)
- 4 Feet



[Custom Colors!!](#)



[Free Samples of
New Products Available!](#)



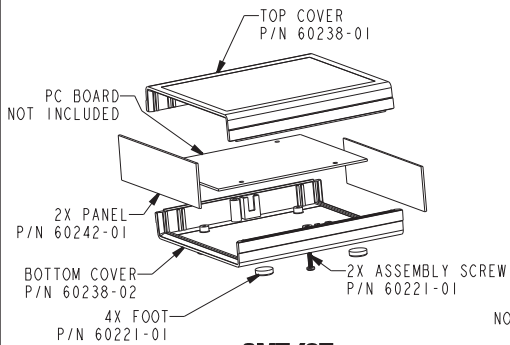
Copyright 2002-2005 © PacTec Divison of LaFrance Corp. All Rights Reserved.

[Privacy
Policy](#)

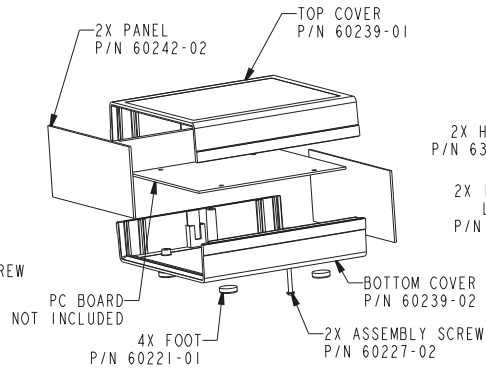
| [Shipping
Policies](#)

| [Return
Policies](#)

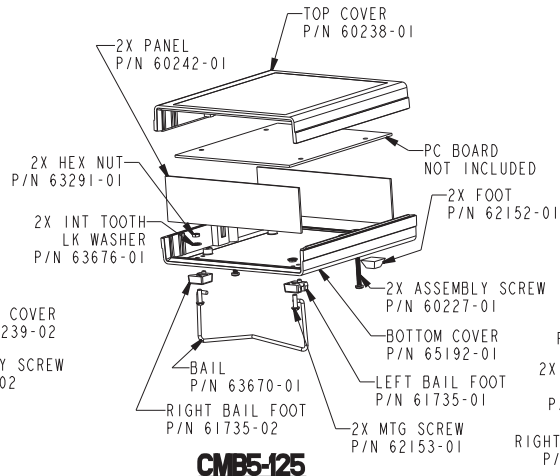
| [Site
Map](#)



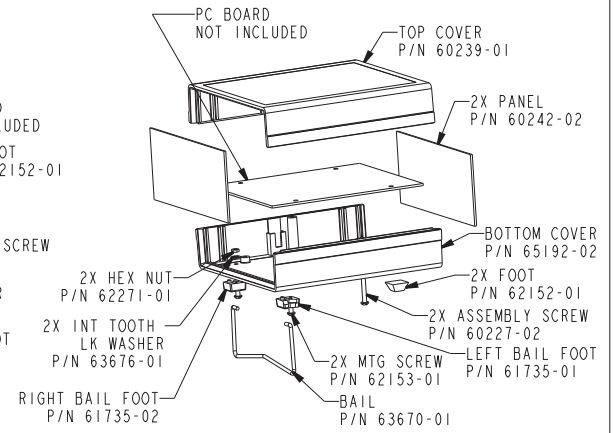
CM5-125



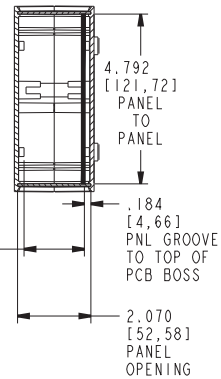
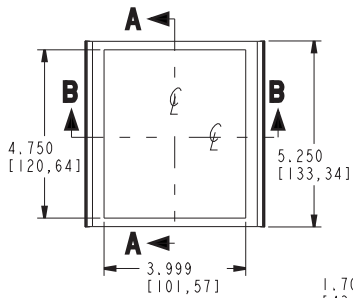
CM5-200



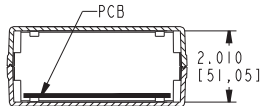
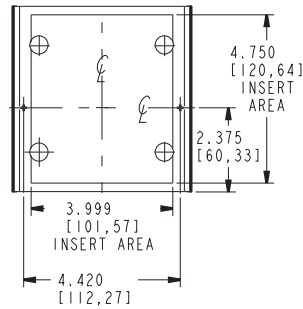
CMB5-125



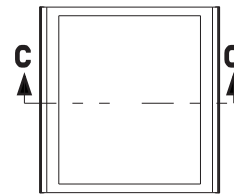
CMB5-200



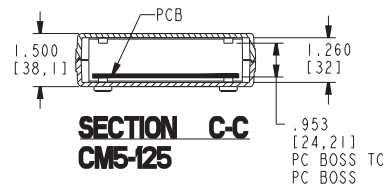
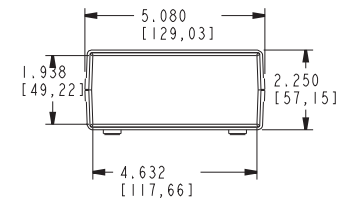
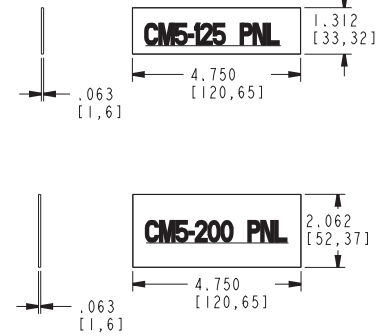
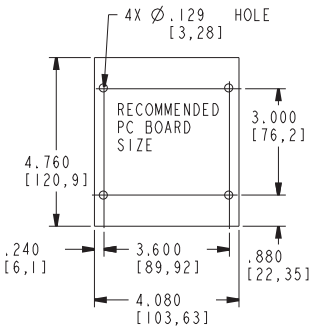
SECTION A-A



**SECTION B-B
CM5-200**



**SECTION C-C
CM5-125**



PACINTEC®
1-610-361-4200
CM5-125 & 200
CMB5-125 & 200

VISIT **PACINTEC®**
ON THE WORLD WIDE WEB
www.pactecenclosures.com

COLOR / MATERIAL CODE		
COLOR	94HB	94AV
BLACK	000	028
P. C. BONE	039	060

DRAWING NUMBER	REV
60256	C