



[Custom
Molded
Rubber](#)



[Custom
Colors!!](#)

[Home](#)

[About PacTec](#)

[Contact Us](#)

Login

[Click Here to Register](#)

Username

Password

[Forget your login info?](#)

[View Cart \(0\)](#)

[Advanced Search](#)

[Connector Search](#)

News

Sign up for our latest news and new product updates!

Email:



[Custom Colors!!](#)



[Free Samples of
New Products Available!](#)



CM3-150

External Dimensions: 5.2 x 3.3 x 1.7 in.

PCB Dimensions: 4.7 x 2.8 x 1.7 in.

Colors: Black
PC Bone

Materials: ABS-94HB
[Material Specs](#)

Components:

- Top and Bottom Covers
- Assembly Screws
- 2 Panels (Black Only)
- 4 Feet



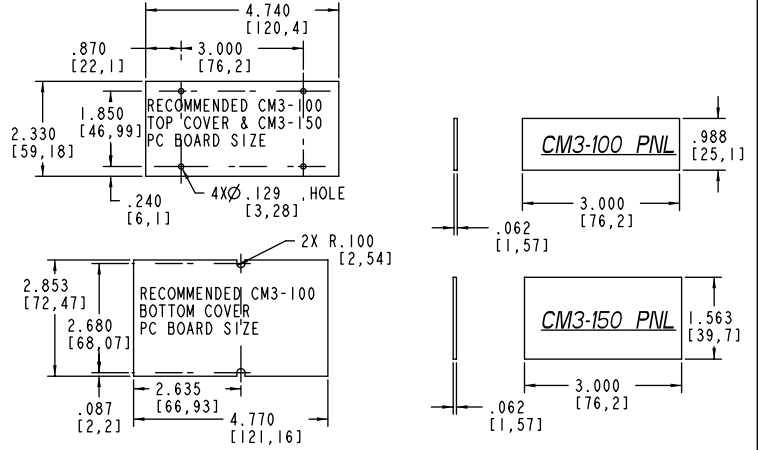
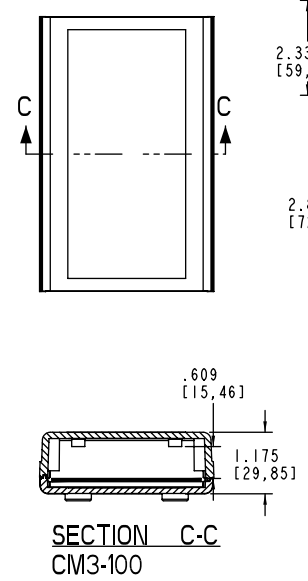
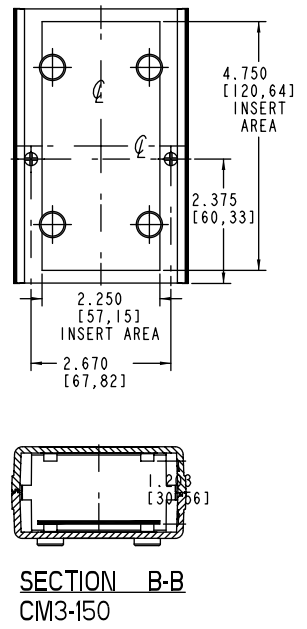
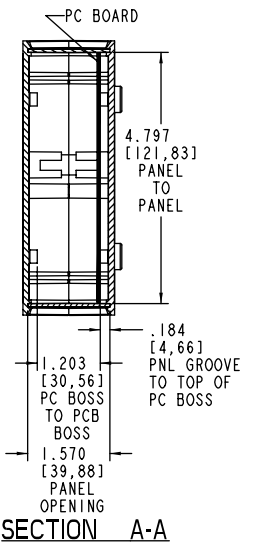
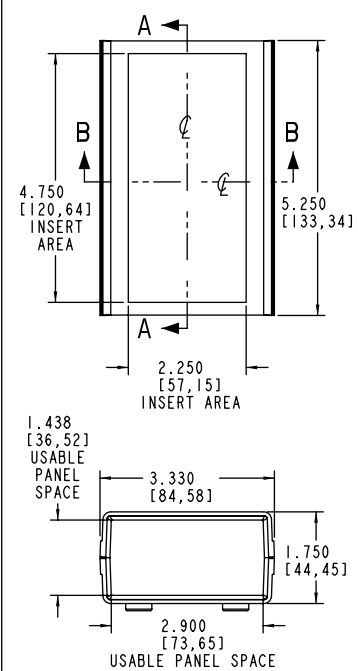
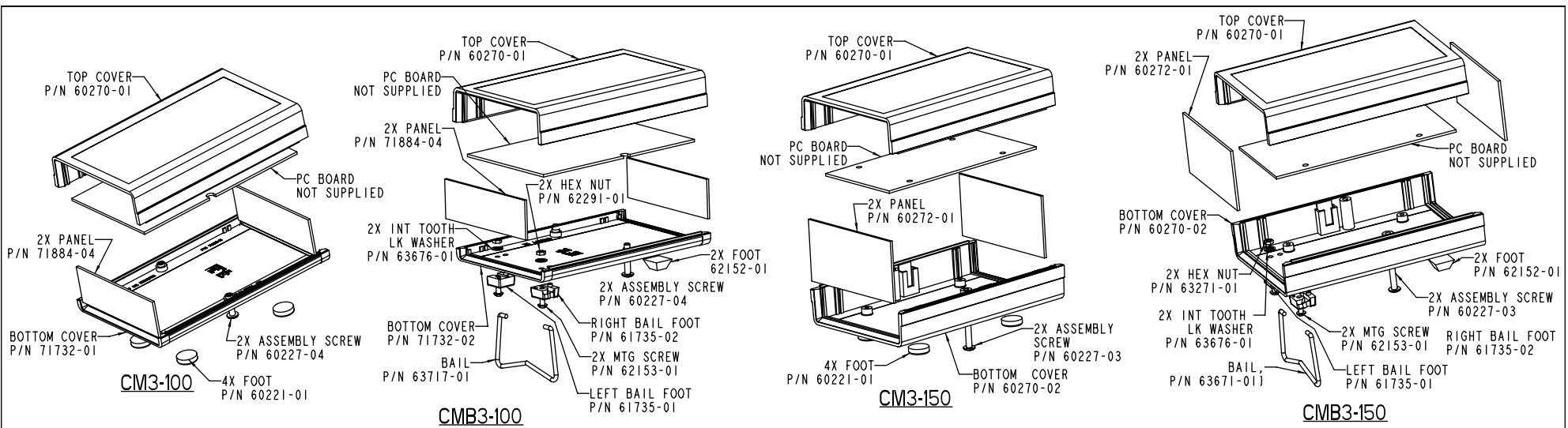
Copyright 2002-2005 © PacTec Divison of LaFrance Corp. All Rights Reserved.

[Privacy](#)
[Policy](#)

| [Shipping](#)
[Policies](#)

| [Return](#)
[Policies](#)

| [Site](#)
[Map](#)



PACNTEC®
 1-610-361-4200
CM3-100 & 150
CMB3-100 & 150
 VISIT **PACNTEC®**
 ON THE WORLD WIDE WEB
www.pactecenclosures.com

COLOR / MATERIAL CODE	
COLOR	94HB 94VO
BLACK	000 028
P.C.BONE	039 060

DRAWING NUMBER	REV
60279	E