



CF-275

External Dimensions: 9.1 x 8.3 x 3.1 in.

PCB Dimensions: 8.6 x 7.8 x 3.1 in.

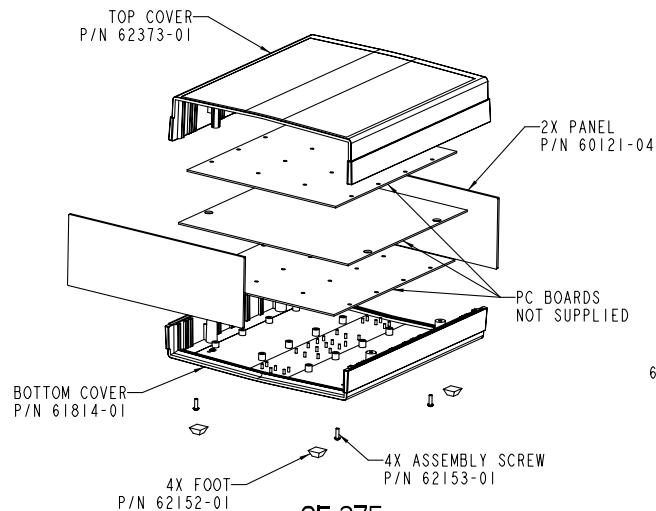
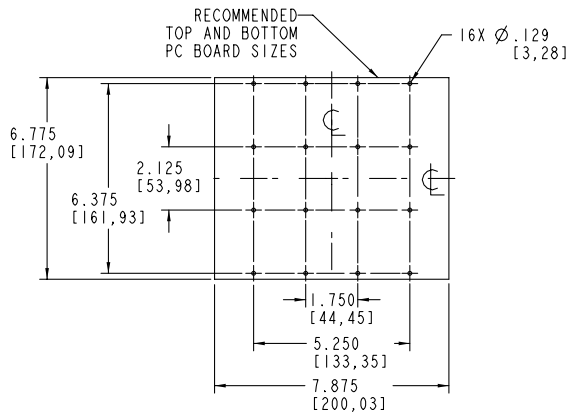
Colors: Black
PC Bone

Materials: ABS-94HB

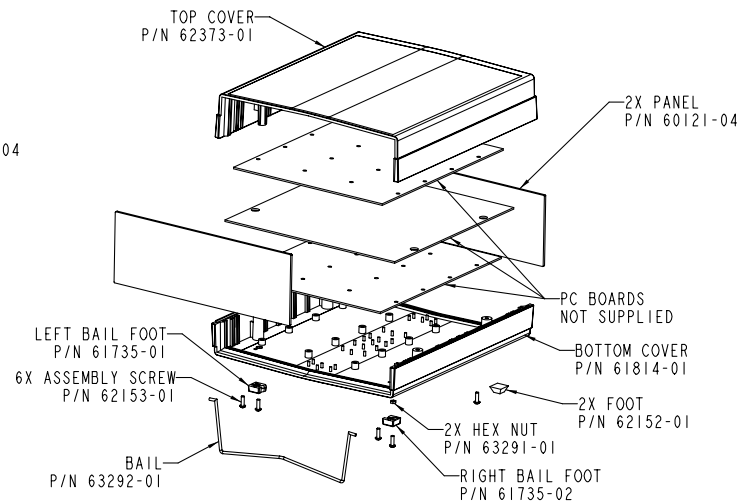
Components:

- Top and Bottom Covers
- Assembly Screws
- 2 Panels (Black Only)
- 4 Feet

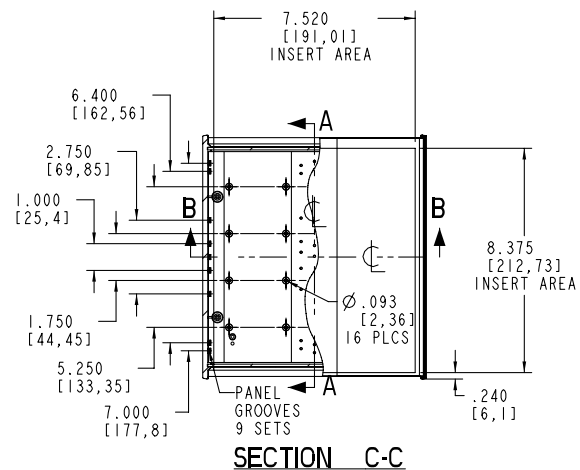




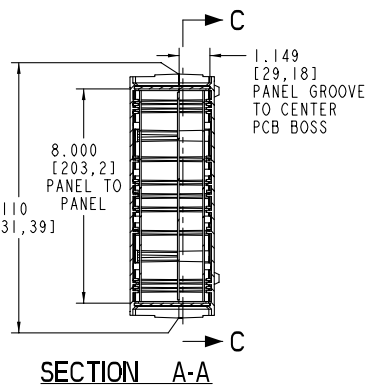
CF-275



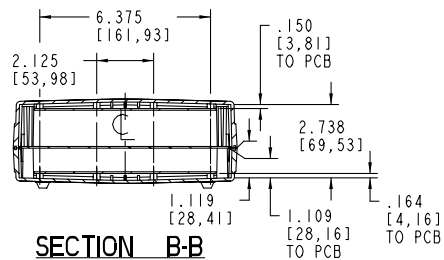
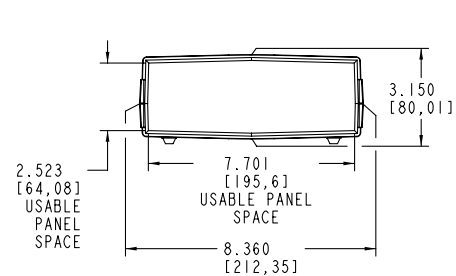
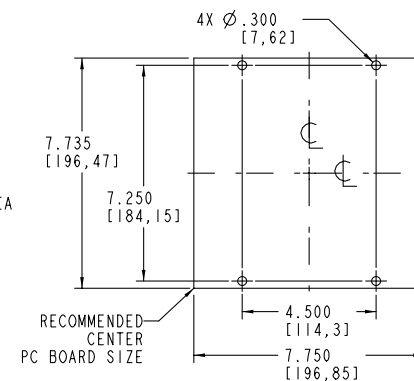
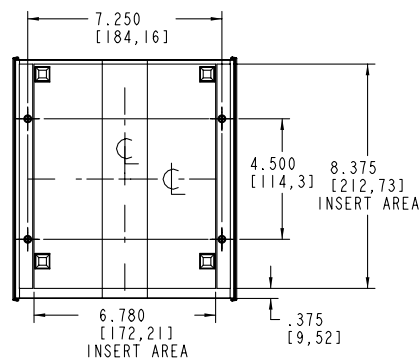
CFB-275



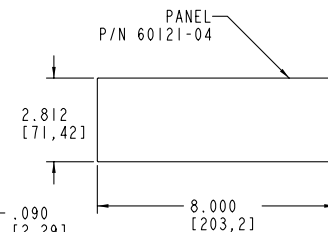
SECTION C-C



SECTION A-A



SECTION B-B



PACNTEC®
 1-610-361-4200

CF-275, CFB-275

VISIT **PACNTEC®**
 ON THE WORLD WIDE WEB
www.pactecenclosures.com

COLOR / MATERIAL CODE		
COLOR	94HB	94VO
BLACK	000	028
P.C. BONE	039	060

DRAWING NUMBER	REV
79363	B